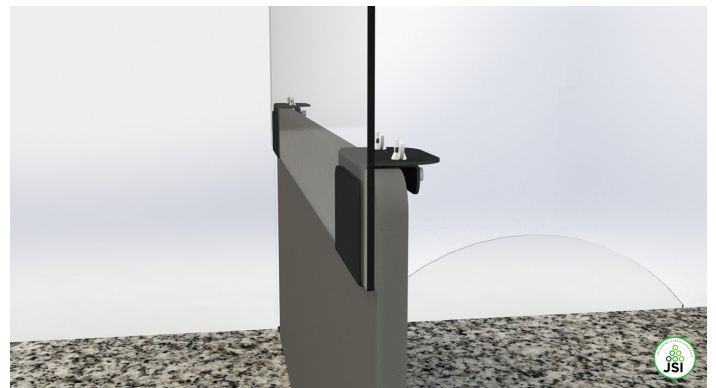
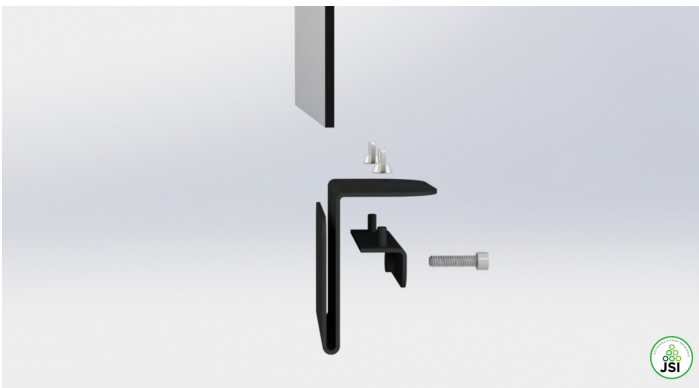


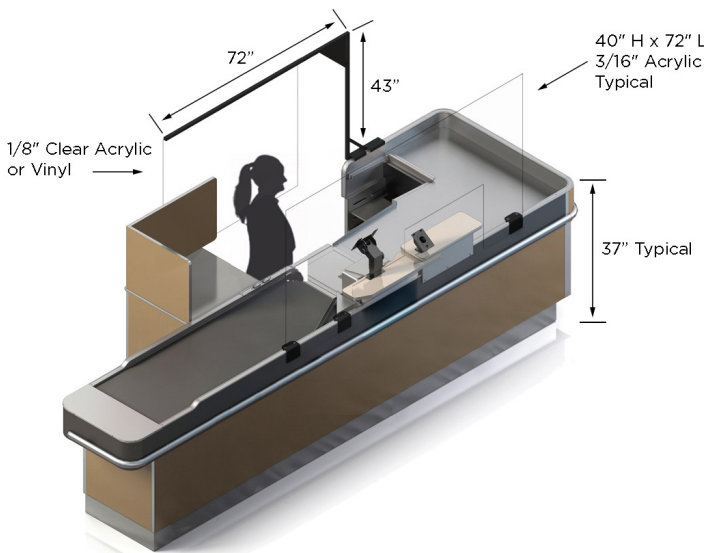
Help protect your associates and customers with hygiene barriers



No need to hire an install crew with these easy mount hygiene barriers



Acrylic slides into place and is easily removable for cleaning and replacement. Brackets mount to checkstand surfaces up to 1.5" thick with set screws. We even provide the Allen wrench.



ITEM #HSC7240 (Front Hygiene Barrier)

Includes: 3 Brackets and (1) 40"H x 72"L x 3/16" Clear Acrylic

ITEM #HSC7243 (Rear Hygiene Barrier - Acrylic)

Includes: 2 Brackets and (1) 40"H x 72"L x 3/16" Clear Acrylic

ITEM #HSB7243 (Rear Hygiene Barrier - Vinyl)

Includes: 2 Brackets and (1) 40"H x 72"L x 3/16" Clear Vinyl

**For volume of 100 units or more, please contact us.*

Countertop Hygiene Barriers

Our versatile all acrylic hygiene barriers help to minimize the transmission of germs between associates and customers. Each made to suit your needs.



36" WIDE x 30" TALL SHOWN ABOVE. **ITEM #HSP3630**

The modular acrylic hygiene barrier features a black powder coat steel frame and mounts with simple hardware, allowing for many height adjustments in 4" increments.



36" WIDE x 30" TALL PLEXI SHOWN ABOVE. **ITEM #HSS3630**

The adjustable aluminum hygiene barrier is available in any width or height you may need.



36" WIDE x 42" TALL SHOWN ABOVE. **ITEM #HSA3642**

Our painted wood framed hygiene barrier is a fantastic economy option that can be customized to suit your store needs.



34" WIDE X 42" TALL SHOWN ABOVE. **ITEM #HSW3442**

*We have acrylic and vinyl materials in stock and machining time to quickly support your needs.
For more information on custom sizing, contact us today.*



140 Park Street • Milo, Maine 04463 • 800.332.5507 **TEL** • 207.943.5632 **FAX** • JSISTOREFIXTURES.COM

Milo, Maine • Bangor, Maine • Payson, Utah • Collingwood, Ontario