



Traditional Flood Medium (TMFL)

Outdoor Flood Light



OVERVIEW

Lumen Package (lm)	4,000 - 7,000
Wattage Range (W)	43 - 64
Efficacy Range (LPW)	97 - 121
Weight lbs (kg)	10 lbs

QUICK LINKS

FEATURES & SPECIFICATIONS

Construction

- Rigid Precision Die cast-aluminum housing for durability and consistency.
- Vertical fins serve as a heat sink and resist accumulation of dust and debris.
- The Patent Pending thermal stacking heat removal technology extracts heat from within the housing moving it away from LEDs and integral components.
- Luminaire is proudly manufactured and tested in the U.S.
- Fixtures are finished with LSI's DuraGrip® polyester powder coat finishing process. The DuraGrip finish withstands extreme weather changes without cracking or peeling. Other standard LSI finishes available. Consult factory.

Optical System

- Flood optic version utilizes high grade acrylic lenses that focuses light providing illumination on target, less glare and less wasted light
- Extra wide distribution pattern is designed to provide maximum light spread for short set backs when lighting signs and washing walls.
- Minimum CRI of 70

Electrical

- High-performance driver features over-voltage, under voltage, short-circuit and over temperature protection.
- 0-10 volt dimming (10% - 100%) standard.
- Standard Universal Voltage (120-277 Vac) Input 50/60 Hz
- L70 Calculated Life: >100k Hours
- Total harmonic distortion: <20%
- Power factor: >.85
- Input power stays constant over life.
- Driver Off-State Power is 0 watts.
- Components are fully encased in potting material for moisture resistance. Driver complies with FCC standards. Driver and key electronic components can easily be accessed
- Minimum 2.5kV surge rating

Warranty

- LSI luminaires carry a 5-year limited warranty. Refer to <https://www.lsicorp.com/resources/terms-conditions-warranty/> for more information.

Listings

- Listed to UL 1598 and UL 8750.
- Meets Buy American Act requirements.
- Title 24 Compliant; see local ordinance for qualification information.
- Suitable for wet locations.
- Meets Buy American Act requirements.
- DesignLights Consortium® (DLC) qualified product. Not all versions of this product may be DLC qualified. Please check the DLC Qualified Products List at www.designlights.org/QPL to confirm which versions are qualified.

Traditional Flood Medium (TMFL)

Type: _____

 **Have questions?** Call us at (800) 436-7800

ORDERING GUIDE

TYPICAL ORDER EXAMPLE: TMFL LED 7L W UNV DIM 40 BZA TR							
Prefix	Lumen Package	Distribution	Voltage	Dimming	Color Temperature	Finish	Options/Controls
TMFL LED - Medium LED Flood Light	4L - 4,000 Lumens	blank - Flood Optic (6x6)	UNV - Universal Voltage (120-277V) HV - High Voltage (347-480V)	DIM - Dim to 10% (0 to 10V)	30 - 3,000K CCT 40 - 4,000K CCT 50 - 5,000K CCT	BZA - Bronze BLK - Black* WHT - White*	PCI120 - 120V Photocontrol PCI208-277 - 208V - 277V Photocontrol TR - Trunion
	5L - 5,000 Lumens						
	7L - 7,000 Lumens	W - Extra Wide (7x7)					



Need more information?
[Click here for our glossary.](#)

Have additional questions?
Call us at (800) 436-7800



PERFORMANCE

[Back to Quick Links](#)

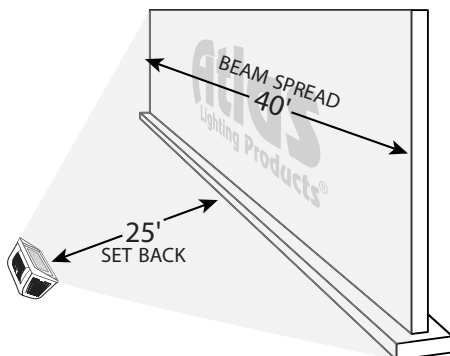
Delivered Lumens*									
Lumens	Distribution	CRI	3000K CCT		4000K CCT		5000K CCT		Wattage
			Delivered Lumens	Efficacy	Delivered Lumens	Efficacy	Delivered Lumens	Efficacy	
4L	F	70	4,010	97	4,010	97	4,343	105	41
5L	W	70	5,025	116	5,025	116	5,229	121	43
7L	W	70	6,983	114	6,983	114	7,237	118	61

*LEDs are frequently updated therefore values are nominal.

Energy Savings					
LED		HID			Annual Savings
Wattage	Annual Cost	Source Wattage	Total Wattage Used	Annual Cost	
43	\$19	150	185	\$100	\$81
43	\$19	175	210	\$112	\$93
64	\$28	200	232	\$128	\$100
64	\$28	250	285	\$150	\$122

DLC Listings			
Lumens	3000K	4000K	5000K
	DLC Prod. ID	DLC Prod. ID	DLC Prod. ID
5L	PLPZDKQIUZ98	PLQ3L55N3XEV	PLKIEZREWRAP
7L	PLQS1Z114DHE	PLONUZKER8U5	PLY1JF7Q5JIN

PHOTOMETRICS



See Chart for Footcandle Readings

Footcandle Readings					
Lumens	0'	5'	10'	15'	20'
5L	3.9	3.6	3.0	2.2	1.6
7L	6.0	5.5	4.5	3.3	2.3

Traditional Flood Medium (TMFL)

Type: _____

 **Have questions?** Call us at (800) 436-7800

PRODUCT DIMENSIONS

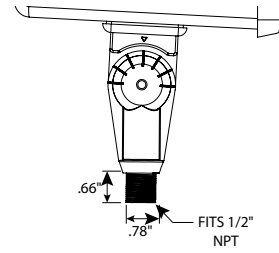
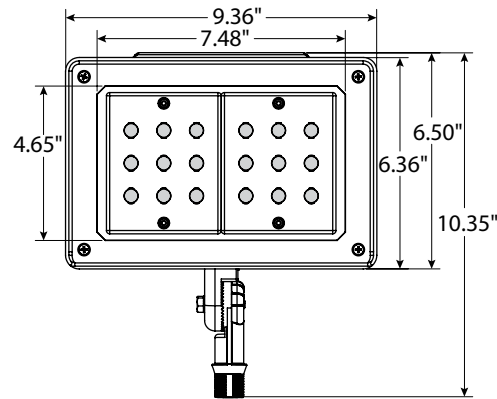
Knuckle (standard)

Weight

10 lbs.

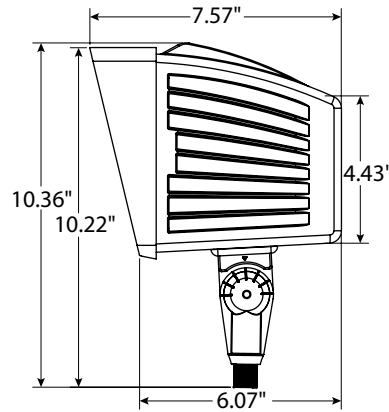
EPA

0.47



Mounting Accessory

PT - Post Top Fitter (item # 660385)



Trunion

Weight

(with Trunion) 44 lbs.

(with Slip fitter) 45 lbs.

EPA

1.29

