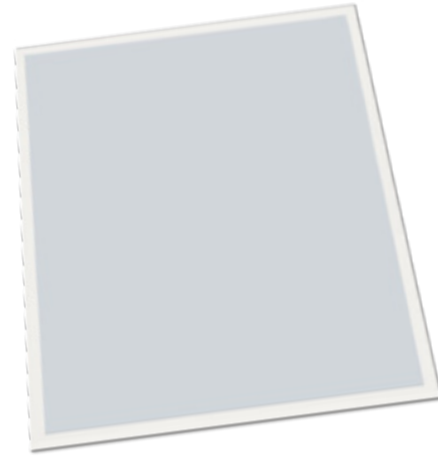




SFP HIGH OUTPUT

Field Selectable Edge-lit Panel



OVERVIEW	
Lumen Range (lm)	3,050 - 6,600
CCT (K)	3500K, 4000K, 5000K
Wattage Range (W)	25 - 55
Efficacy Range (LPW)	110 - 128
Weight lbs (kg) 2x2	6.2 (2.8)
2x4	13.5 (6.1)
Controls	0-10V, QCALBMSD, ALBC

QUICK LINKS

FEATURES & SPECIFICATIONS

Construction

- Fixture backplate includes integral T-bar clips for installation onto standard 15/16" T-grid ceiling or 9/16" narrow T-grid.
- Optional surface mount, flange, and suspension kits available.

Optical System

- PMMA (Acrylic) diffuser and light guide for high light transmission and optical efficiency.
- 120° beam angle provides high vertical illuminance levels.
- Available in 3500K, 4000K, 5000K all in one unit for convenience and flexibility. 9 possible combinations between CCT and lumen output.

Electrical

- Preset at 4000K and highest wattage. Selections can be changed in the field before, during or after installation.
- Ability to lock CCT and lumen output - please consult factory with requirements.
- 0 - 10 Volt dimming (10% - 100%) standard.
- Standard Universal Voltage (120-277 VAC) Input 50/60 Hz.

- L70 Calculated Life: >100k Hours

- Total harmonic distortion: <20%
- Operating temperature: -25°C to +40°C (-13°F to +113°F)
- Power factor: >0.90
- Optional factory-installed or field installed battery backup for standby lighting. Constant power is provided to the LED system for 90 minutes or longer in the event of power loss. A remote test switch/indicator button is installed in the housing for ease of maintenance.

Controls

- Available with AirLink™ Blue. AirLink Blue (ALB) is a low-power wireless Bluetooth mesh control system. ALB provides significant energy savings while ensuring code compliance and security.
- The optional integrated AirLink Blue fixture controller (ALBC) is used to dim the fixture based on motion or daylight levels continually monitored by external ALB sensors.
- Available with 3rd party controls. Check out the ordering guide for compatibility.

Warranty

- LSI luminaires carry a 5-year limited warranty. Refer to <https://www.lsicorp.com/resources/terms-conditions-warranty/> for more information.
- 1 Year warranty on optional Battery Backup. Test regularly in accordance with local codes.

Listings

- Certified to UL 1598 and UL 8750.
- RoHS Compliant.
- DesignLights Consortium® (DLC) qualified product. Not all versions of this product may be DLC qualified. Please check the DLC Qualified Products List at www.designlights.org/QPL to confirm which versions are qualified.
- Suitable For Damp Locations.

ORDERING GUIDE

TYPICAL ORDER EXAMPLE: SFP24 LED FS2 UNV DIM						
Prefix	LED	Lumen Package	Voltage	Dimming	Color Temperature	Options
SFP22 - 2x2	LED	FS2 - Field Selectable 3,050 - 3,450 - 5,100 lm 3500 - 4000 - 5000K ^{1,2}	UNV - Universal Voltage (120V-277VAC)	DIM - Dims to 10% (1 - 10V)	Blank - Field Selectable ³	Blank - Standard QCR25 - Quick Control Receptacle 2.5mm (see accessories ordering table) ALBC - AirLink™ Blue (ALB) Fixture Controller AVCM - Avi-on IFA integrated wireless controller 5 Amp 120-277VAC EM - 10W Emergency Backup EMCP - 10W Emergency Backup (Plenum rated) FC15D - 6' (5 conductor) #18 Leads (for use in dimming applications) FC16D - 6' (6 conductor) #18 Leads (for use in dimming applications) ⁴
SFP24 - 2x4		FS2 - Field Selectable 3,650 - 4,550 - 6,600 lm 3500 - 4000 - 5000K 1, 2				



Need more information?
Click here for our glossary

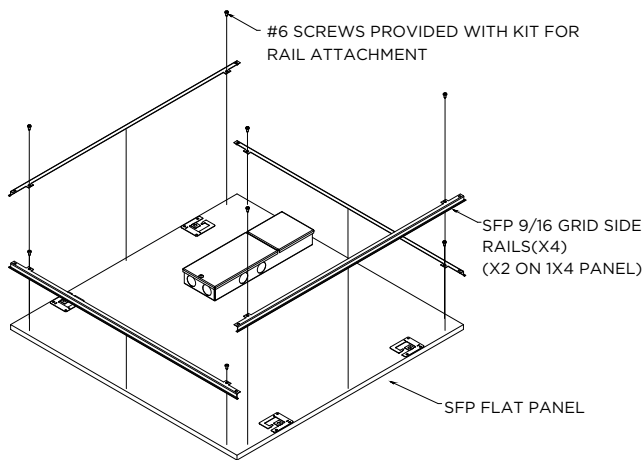
Have additional questions?
Call us at (800) 436-7800



ACCESSORY ORDERING INFORMATION (Accessories are field installed)

Part Number	Description
QCALBMSD25	Quick Control AirLink Blue Motion Sensor with Daylight Harvesting
See Frame Kit Table	Surface-Mount kit
650324	Suspension-Mount Kit
M20028	Flange Kit 2x4
M20027	Flange Kit 2x2
M20026	Flange Kit 1x4
735433	9/16" Narrow Recessed Grid Kit 2x4
735431	9/16" Narrow Recessed Grid Kit 2x2
736096	9/16" Narrow Recessed Grid Kit 1x4

For information on AirLink Blue controls, please visit
<https://www.lsicorp.com/product/airlink-blue/>



- REMOVE SCREWS IN BACK OF PANEL THAT ALIGN WITH ATTACHMENT POINTS ON RAILS. USE PROVIDED #6 SCREWS TO SECURE RAILS TO BACK OF PANEL.

1 - Refer to performance table for delivered lumens based on Wattage/CCT Combination
2 - Default setting is highest wattage

FRAME KITS FOR SURFACE MOUNT PANELS

Item	Part No. & Specification
	Part: SFPSMK24 Dimension: 24.02" x 48.03" x 3" White color finished
	Part: SFPSMK14 Dimension: 12.21" x 48.03" x 3" White color finished
	Part: SFPSMK22 Dimension: 24.02" x 24.02" x 3" White color finished

HANGING STEEL WIRE FOR PANELS

Item	Part No. & Specification
	Part: SFPACK6 1 set with 6pcs 1.5m steel wire, 6pcs wire lock, 6pcs plastic nails 6pcs screw Use for 1x4 and 2x4 rectangle panel hanging installation

Approved Dimming Controls

Maximum of eight fixtures allowed per dimming circuit.

Manufacturer	Product	Model	Order Number
LSI	0-10V Dimmer	DS10	596066
LSI	Wall Switch Sensor with 0-10V Dimmer	WS10-0S	632700WHT

3 - Default setting is 4000K and highest lumen output
4 - Only available with EM units

PERFORMANCE

Delivered Lumens*							
Lumen Package	Wattage	3500K CCT		4000K CCT		5000K CCT	
		Lumens	Efficacy	Lumens	Efficacy	Lumens	Efficacy
2x2	45	4830	112	5061	122	4931	115
	30	3339	110	3479	120	3374	112
	25	3045	116	3172	126	3076	118
2x4	55	6348	119	6616	128	6396	119
	40	4382	114	4565	122	4428	114
	30	3648	114	3800	122	3686	114

*LED Chips are frequently updated therefore values may increase.

Electrical Data (Amps)*				
Lumen Package	Wattage	120V	208V	277V
2x2	45	0.36	0.21	0.16
	30	0.24	0.14	0.10
	25	0.21	0.12	0.09
2x4	55	0.45	0.26	0.19
	40	0.31	0.18	0.13
	30	0.26	0.15	0.11

*Electrical data at 25C (77F). Actual wattage may differ by +/-10%.

Lumen Maintenance ¹ (SFP24 FS2)				
Ambient Temp C	Initial ²	25k hr ²	50k hr ²	100k hr ³
0 C	100%	96%	92%	84%
10 C	100%	96%	92%	84%
20 C	100%	96%	92%	84%
25 C	100%	96%	92%	84%
30 C	100%	96%	92%	84%
40 C	100%	96%	91%	82%
50 C	100%	95%	90%	80%

1 - Lumen maintenance values at 25°C are calculated per TM-21 based on LM-80 data and in-situ luminaire testing.

2 - In accordance with IESNA TM-21-11, Projected Values represent interpolated value based on time durations that are within six times (6X) the IESNA LM-80-08 total test duration (in hours) for the device under testing (DUT) i.e. the packaged LED chip.

3 - In accordance with IESNA TM-21-11, Calculated Values represent time durations that exceed six times NA LM-80-08 total test duration (in hours) for the device under testing (DUT) i.e. the packaged LED chip.

PHOTOMETRICS

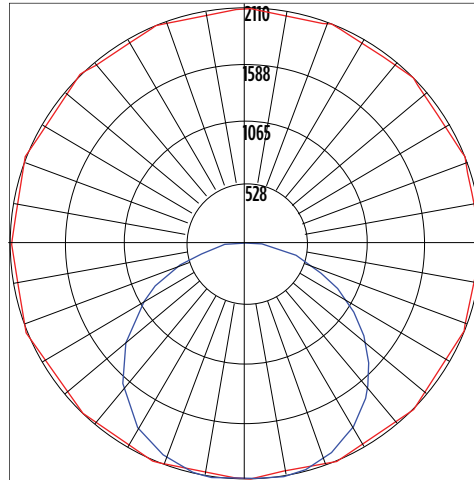
Luminaire photometry has been conducted by a NVLAP accredited testing laboratory in accordance with IESNA LM-79-08. As specified by IESNA LM-79-08 the entire luminaire is tested as the source resulting in a luminaire efficiency of 100%.

See the individual product page on <https://www.lsicorp.com/> for detailed photometric data.

SFP24-LED-FS2-55W-4000K

Zonal Lumen Summary		
Zone	Lumens	%Fixt
0-20	784.96	11.9
0-30	1694.78	25.6
0-40	2821.79	42.6
0-60	5124.61	77.5
0-80	6473.84	97.8
0-90	6616.28	100
10-90	6416.13	97
20-40	2036.83	30.8
20-50	3234.53	48.9
40-70	3157.43	47.7
60-80	1349.23	20.4
70-80	494.62	7.5
80-90	142.44	2.2
0-180	6616.28	100
90-120	971.2	19.6
90-130	1,418.1	28.6
90-150	1,996.8	40.2
90-180	2,286.4	46.1
110-180	1,806.3	36.4
0-180	4,961.8	100.0

Polar Curve



PRODUCT DIMENSIONS

