



EG3 Series

Enclosed and Gasketed Linear LED Fixture



OVERVIEW

Lumen Package (lm)	4,400 - 20,000
CCT (K)	3500K, 4000K, 5000K
Wattage Range (W)	31 - 149
Efficacy Range (LPW)	135 - 144
Shipping Weight (lbs)	2ft - 6.0 4ft - 9.5 8ft - 20.0

QUICK LINKS

FEATURES & SPECIFICATIONS

Construction

- Fiberglass reinforced plastic housing with internal closed-cell polyurethane structure gasketing.
- Polymeric housing provides IP65/66/67 ingress protection and superior chemical resistance.
- Inner gear tray constructed of code gauge steel with a finish coating of high reflectance polyester powder (min 92%).
- All external mounting hardware is constructed of stainless steel.
- High pressure hose down (1500 PSI).
- Lens is secured to housing with standard polycarbonate latches. Optional stainless steel latches are available.
- Car Wash application requires the following options:
 - Stainless steel latches & E6CW cord option with nickel plated brass liquid tight metallic cable fittings rated for IP68 ingress protection & NEMA 1, 4X, 6, 12 ratings.

Optical System

- Injection molded acrylic lens with high impact additive.
- Lens is ribbed and frosted to eliminate glare and provides a symmetric distribution.
- Minimum CRI of 80.
- Optional high angle distribution optic available for DLC qualified parking garage applications
 1. Pair the Parking Garage (PG) optic with the smooth diffuse lens (SA) for best results.

Electrical

- High-performance programmable driver features over-voltage, under-voltage, short-circuit and over-temperature protection. Custom lumen and wattage packages available.
- Driver module is sealed to IP65, IP66, and IP67 standards with a Class A sound rating and 0-10 volt dimming is standard.
- 0-10V dimming (10%-100%) standard
- Standard Universal Voltage (120-277 Vac) Input 50/60 or optional High Voltage (347-480V) L80 Calculated Life: >200K hours
- Total Harmonic distortion: <20%
- Operating Temperature -40 to +40C (-40F to +104F)
- Power factor: >.95
- Optional 120-277V 7.5W integral emergency battery pack is available to meet critical life-safety lighting requirements. A test switch/indicator button will be installed on the end panel of the fixture.

Controls

- Controls Options Include:
 - Simple Sensor PIR end mount motion sensor available (OMSx).
 - Basic Bluetooth integral passive infrared sensor (IMSBTxL) with bluetooth app available.
 - Airlink Blue integral controller (ALBC) or integral controller with motion & photo sensor (ALBCSx).
 - LSI's AirLink Synapse wireless control system options reduce energy and maintenance costs. To order select ALSC

or ALSCS (see ordering guide) as the controls option.

Installation

- 2 standard stainless steel mounting brackets are furnished with each fixture.
- Optional stainless steel V bracket or surface bracket accessory available.

Warranty

- For complete warranty terms, refer to <https://www.lsicorp.com/resources/terms-conditions-warranty/>.
- 1 Year warranty on optional Battery Backup. Test regularly in accordance with local codes.
- For warranty in car wash application, options E6CW (6' black 16/3 SEOWW cord and fittings) and SL (stainless steel latches) option must be installed on fixture.
- To maintain warranty, use of UL listed wet location weather proof, waterproof and corrosion resistant junction box with minimum IP65 rating, NEMA 4 or higher and stainless steel cover screws is required (not sold by LSI).

Listings

- List for UL 1598 and UL 8750
- RoHS Compliant
- Luminaire is IP65/IP66/IP67 certified
- NEMA 4X rated
- Suitable for wet locations and vapor tight
- BAA/TAA compliant
- NSF rated (Splash Zone 2)
- DesignLights Consortium® (DLC) Premium qualified product. Not all versions of this product may be DLC Premium qualified. Please check the DLC Qualified Products List at www.designlights.org/QPL to confirm which versions are qualified.
- IK08 rated luminaire per IEC 66262 mechanical impact code

ORDERING GUIDE

TYPICAL ORDER EXAMPLE: EG3 2 LED 4L DA S UNV DIM 40 80

Prefix	Length	Light Source	Lumen Package	Lens Type	Distribution	Voltage	Dimming
EG3	2 - 2 ft. 4 - 4 ft. 8 - 8 ft.	LED	4L - 4,000 Lumens ¹ 6L - 6,000 Lumens ² 8L - 8,000 Lumens 11L - 11,000 Lumens ³ 13L - 13,000 Lumens ³ 16L - 16,000 Lumens ³ 18L - 18,000 Lumens ³ 20L - 20,000 Lumens ³ Custom Lumen ⁴	DA - Diffuse Acrylic CA - Clear Acrylic SA - Diffuse Smooth Acrylic	S - Symmetric PG - Parking Garage (High Angle Optic) ^{2,7}	UNV - Universal Voltage (120-277V) HV - High Voltage (347-480V)	DIM - Dims to 10% (0-10v dimming)

Color Temperature	Color Rendering	Controls	EM Options	Mounting/Wiring	Latches
35 - 3500K ⁶ 40 - 4000K 50 - 5000K	80 - 80CRI	OMSWL - Externally Mounted Wet Location Occupancy Sensor ALBC - Airlink Blue Controller ALBCMWS - Airlink Blue integrated microwave motion sensor (mounting height up to 12') See photo in dimensions section	EM - 1,400 Lumen Emergency Backup ⁸	Standard - Stainless steel mounting clips include E6CD - 6' foot black cord 16/5 dimming wire, no plug on side E6CW - 6' black 16/3 SE00W cord and fittings (Car Wash) ⁵	Standard - Nylon Latches SL - Stainless Steel Latches



Need more information?
Click here for our glossary

Have additional questions?
Call us at (800) 436-7800



ACCESSORY ORDERING INFORMATION

Part Number	Order Numbrt	Description
310967	LCH10	10' Cable Hanging Set with Loop (pair)
357201	LCH20	20' Cable Hanging Set with Loop (pair)
348901	45MB-4FT	Stainless Steel 45 degree mounting bracket for 4' unit
348894	45MB-8FT	Stainless Steel 45 degree mounting bracket for 8' unit

PERFORMANCE

Delivered Lumens*									
Length	Lumen Package	Distribution	3500K CCT		4000K CCT		5000K CCT		Wattage
			Delivered Lumens	Efficacy	Delivered Lumens	Efficacy	Delivered Lumens	Efficacy	
2'	4L	S	4329	135	4455	142	4624	142	32
4'	4L	S	4384	137	4511	143	4508	143	32
4'	6L	S	6506	136	6695	138	6695	138	48
4'	8L	S	7492	134	7709	137	7833	140	56
8'	11L	S	10350	138	10650	143	10650	143	75
8'	13L	S	12692	134	13060	138	13060	138	95
8'	16L	S	15139	136	15578	140	15578	140	111
8'	18L	S	17366	134	17870	138	17870	138	130
8'	20L	S	19652	132	20222	136	20100	134	149

*LEDs are frequently updated therefore values are nominal
*All values measured with diffuse acrylic ribbed lens (DA)

1 Only available for 2ft and 4ft units.

2 Only available for 4ft unit.

3 Only available for 8ft unit.

4 Custom lumen and wattages available, consult factory. Values are within industry standard tolerances and not DLC listed.

5 E6CW Car Wash cord and fitting also requires the stainless steel latches option.

6 3500K not DLC listed.

7 Parking Garage optic only available with smooth acrylic (SA) lens.

8 Not available for 2ft unit.



PHOTOMETRICS

Luminaire photometry has been conducted by a NVLAP accredited testing laboratory in accordance with IESNA LM-79-08. As specified by IESNA LM-79-08 the entire luminaire is tested as the source resulting in a luminaire efficiency of 100%.

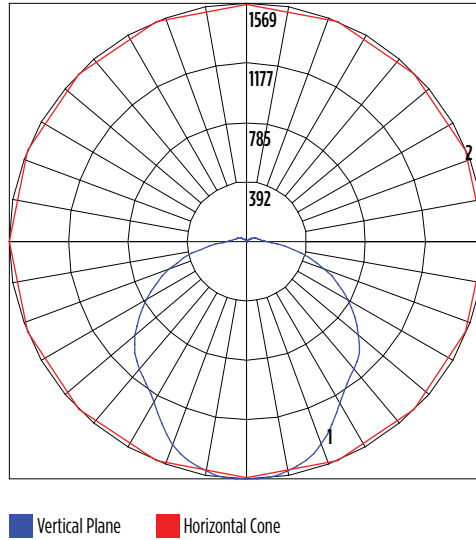
See the individual product page on <https://www.lsicorp.com/> for detailed photometric data.

EG3-2-LED-04L-DA-S-50

Luminaire Data	
Type 3 Distribution	
Description	5000 Kelvin, 80 CRI Ribbed Acrylic Lens
Delivered Lumens	4,623
Watts	32
Efficacy	144

Zonal Lumen Summary		
Zone	Lumens	% Luminaire
Low (0-30°)	1200.0	26.0%
Medium (30-60°)	2175.0	47.0%
High (60-80°)	911.0	19.7%
Very High (80-90°)	176.0	3.8%
Uplight (90-180°)	0	0%
Total Flux	4623.0	100%

Polar Curve

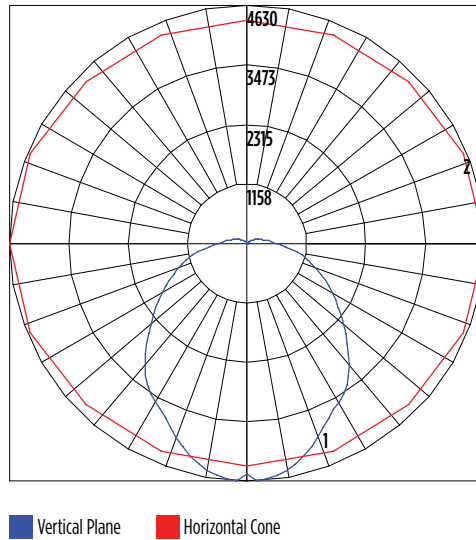


EG3-8-LED-13L-DA-S-50

Luminaire Data	
Type 3 Distribution	
Description	5000 Kelvin, 80 CRI Ribbed Acrylic Lens
Delivered Lumens	13,060
Watts	95
Efficacy	137

Zonal Lumen Summary		
Zone	Lumens	% Luminaire
Low (0-30°)	3376.0	25.8%
Medium (30-60°)	6072.0	46.5%
High (60-80°)	2406.0	18.4%
Very High (80-90°)	569.0	4.4%
Uplight (90-180°)	635.0	4.9%
Total Flux	13060.0	100%

Polar Curve



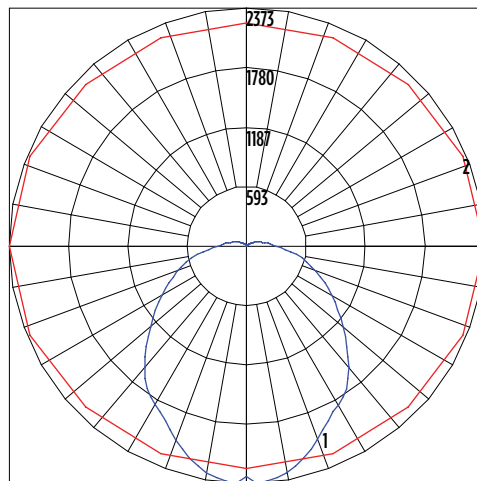
PHOTOMETRICS (CONTINUED)

EG3-4-LED-06L-DA-S-50

Luminaire Data	
Type 3 Distribution	
Description	5000 Kelvin, 80 CRI Ribbed Acrylic Lens
Delivered Lumens	6,695
Watts	48
Efficacy	139

Zonal Lumen Summary		
Zone	Lumens	% Luminaire
Low (0-30°)	1731.0	25.9%
Medium (30-60°)	3112.0	46.5%
High (60-80°)	1233.0	18.4%
Very High (80-90°)	291.0	4.3%
Uplight (90-180°)	325.0	4.9%
Total Flux	6695.0	100%

Polar Curve



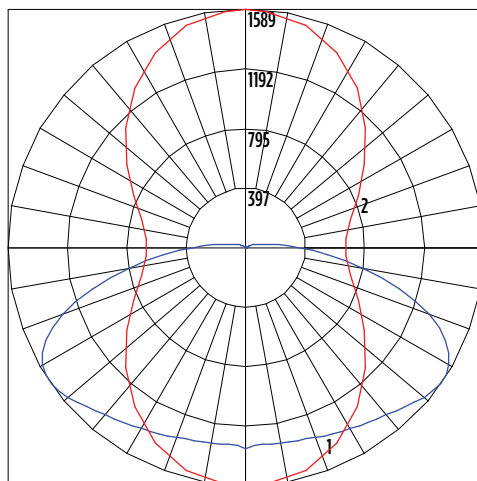
■ Vertical Plane ■ Horizontal Cone

EG3-4-LED-6L-SA-PG-UNV-DIM-35 Parking Garage

Luminaire Data	
Symmetrical Distribution	
Description	4ft 3500 Kelvin, 80 CRI, Smooth Diffuse Lens
Delivered Lumens	6,277
Watts	47.8
Efficacy	131

Zonal Lumen Summary		
Zone	Lumens	% Luminaire
Low (0-30°)	1,109	18%
Medium (30-60°)	2,734	44%
High (60-80°)	1,736	28%
Very High (80-90°)	434	7%
Uplight (90-180°)	262	4%
Total Flux	6,277	100%

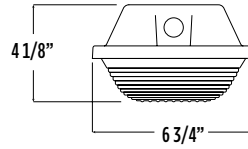
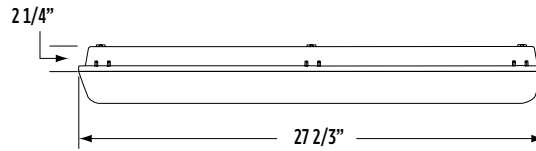
Polar Curve



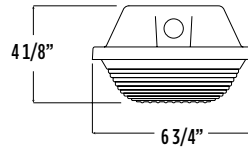
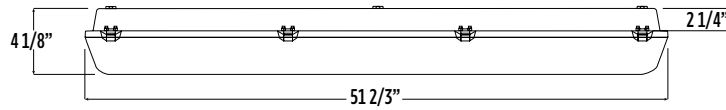
■ Vertical Plane ■ Horizontal Cone

PRODUCT DIMENSIONS

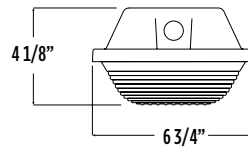
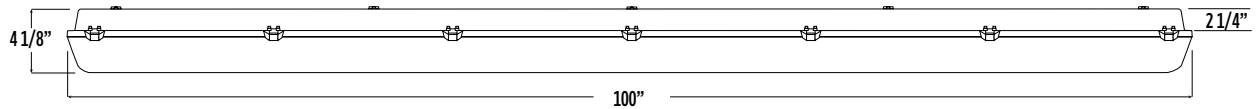
2 FT.



4 FT.



8 FT.



ALBCMWS sensor installed in housing



CONTROLS

Simple Sensor (OMSWL)

Simple sensor providing occupancy sensing to achieve energy savings, code compliance and enhanced safety/security. Manually programmed utilizing dial settings on sensor to easily adjust time out and sensitivity.

AirLink Blue (ALBCSx)

Wireless Bluetooth Mesh Outdoor Lighting Control System that provides energy savings, code compliance and enhanced safety/security for parking lots and parking garages. Three key components; Bluetooth wireless radio/sensor controller, Time Keeper and an iOS App. Capable of grouping multiple fixtures and sensors as well as scheduling time-based events by zone. Radio/Sensor Controller is factory integrated into Area/ Site, Wall Mounted, Parking Garage and Canopy luminaires.

[Click here to learn more details about AirLink Blue](#)



AirLink Blue App

Apple

Sensor Sequence of Operations

Standard Programming	On Event	Off Event	On Light Level	Dim Light Level	Daylight Harvesting	Delay To Off	Sensitivity
OMS	Motion	No Motion	N/A	N/A	N/A	30 seconds	Auto

Operation	Description
On Event	Trigger that activates lights to turn on; either automatic via motion detected or manually activated via push of button.
Off Event	Trigger that activates lights to turn off; either automatic via no motion detected or manually activated via push of button.
On Light Level	The light level that the fixtures will turn on to when ON EVENT occurs.
Dim Light Level	The light level that the fixtures will dim down to when no motion is detected.
Delay to Dim	The amount of time after which no motion is detected that the fixtures will be triggered to dim down. This sequence is optional, and sensor can be programmed to only trigger the fixture to turn off by entering 100% in this field.
Delay to Off	The amount of time after which no motion is detected that the fixtures will be triggered to turn off. If delay to dim is part of the programmed functionality, this is the amount of time after which no motion is detected after the fixture have already dimmed down.
Sensitivity	The sensitivity can be set to high, medium, low, or auto where applicable. High will detect smaller, simple motions. Low will only detect larger more complex motions. Auto temperature calibration adjusts the PIR sensitivity as ambient temperature rises to increase detection of heat movement through the field of view.