



# Parking Garage Lighting Fixture (XPG4)

## LED Luminaire



### OVERVIEW

Lumen Package (lm)	3,000 - 10,000
Wattage Range (W)	56 - 147
Efficacy Range (LPW)	122 - 153
Weight lbs (kg)	17.5 (7.9)

### QUICK LINKS

## FEATURES & SPECIFICATIONS

### Construction

- Rigid aluminum housing for consistency and strength that serves as a heat sink and resist accumulation of dust and debris
- All metal parts are painted after fabrication following treatment with phosphate rust inhibitor.
- Shipping weight: 19lbs in carton
- Installation
- Not intended for recessed mounting in enclosed ceilings. Standard mounting is rigid 3/4" pendant mount or direct surface mount to 4" (102mm) octagon box (box by others). Pendant and direct mount standard with 60" leads and 8" leads respectively. Direct mount features standard quick mount plate with elongated key hole slots to allow alignment of fixtures.

### Optical System

- Ultra-high efficiency optics provide solid performance for typical spacings and heights, exceptional uniformity with vertical illumination and full cutoff. Ideal when maximum spacing is desired without sacrificing desired lumen levels. Meets RP20 recommendations while delivering unique control of distribution to minimize glare.
- The XPG4 features a slim 5-1/2" profile. Housing is die-formed aluminum with a gasketed clear flat tempered glass lens providing a water-resistant seal. Weather-tight aluminum enclosure contains factory prewired driver to ensure no water entry and to eliminate need to open fixture completely. Optical unit is IP65 rated.

- Use of closely spaced medium-power, high brightness chips provide uniform lens luminance with no dead spots.
- Distribution available in Type 5 Wide (5W).
- Available in 5000K and 4000K color temperatures.
- Minimum CRI of 80.

### Electrical

- 0-10 volt dimming (5% - 100%) standard.
- Standard Universal Voltage (120-277 Vac) Input 50/60 Hz or optional High Voltage (347-480 Vac).
- L80 Calculated Life: >100k Hours (See Lumen Maintenance on Page 2)
- Total harmonic distortion (THD): <20%
- Operating temperature: -40°C to +50°C (-40°F to +122°F).
- Optional 120v-277v integral emergency battery pack is available to meet critical life safety lighting requirements. The 90-minute batteries provide constant power to the LED system, ensuring code compliance. A test switch/indicator button is installed on the housing for ease of maintenance.
- Field replaceable surge protection device meets a minimum Category C Low operation (per ANSI/IEEE C62.41.2).
- Power factor (PF): >.95
- Input power stays constant over life.

### Controls

- Optional integral passive infrared motion sensor activates switching of luminaire light levels (see page 5 for more details).

- LSI's AirLink™ wireless control system options reduce energy and maintenance costs while optimizing light quality 24/7. (see page 6 for more details)

### Warranty

- LSI luminaires carry a 5-year limited warranty. Refer to <https://www.lsicorp.com/resources/terms-conditions-warranty/> for more information.
- 1 Year warranty on optional Battery Back Up. Test regularly in accordance with local codes.

### Listings

- Listed to UL 1598 and UL 8750
- American Recovery and Reinvestment Act Funding Compliant
- RoHS Compliant
- State of California Title 24 with approved controls
- Suitable For Wet Locations
- DesignLights Consortium® (DLC) Premium qualified product. Not all versions of this product may be DLC Premium qualified. Please check the DLC Qualified Products List at [www.designlights.org/QPL](http://www.designlights.org/QPL) to confirm which versions are qualified.
- Buy American Act (BAA) Compliant Product



# Parking Garage Lighting Fixture (XPG4) LED Luminaire

Type : \_\_\_\_\_

 **Have questions?** Call us at (800) 436-7800

## ORDERING GUIDE

TYPICAL ORDER EXAMPLE: XPG4 D LED 7L 5W UNV DIM 40 ALSCS MSV						
Prefix	Mounting	Light Source	Lumen Package	Lens Type	Distribution	Voltage
XPG4 - Parking Garage Lighting Fixture	D - Direct Mount P - Pendant mount with 60" leads <sup>1</sup> PL - Pendant mount with 72" leads <sup>1</sup>	LED	3L - 3,000 lms 5L - 5,000 lms 7L - 7,000 lms 10L - 10,000 lms	Blank - Clear Lens	5W - Type 5 Wide	UNV - Universal Voltage (120V-277V) HV - High Voltage (347V- 480V)
Driver	Color Temperature	Color Rendering	Controls	Emergency <sup>3</sup>	Finish	
DIM - Dim to 10% (0-10V)	40 - 4000K 50 - 5000K	Blank - 80CRI	Blank - No Controls ALSC - AirLink Synapse Wireless Digital Controller <sup>2</sup> ALSCS - AirLink Synapse Control w/Sensor <sup>2</sup> OCSUE - Occupancy Sensor/Module max 8ft. mounting height 120-277V <sup>5</sup> OCSHV - Occupancy Sensor/Module max 8ft. mounting height 480V <sup>5</sup> EXT - 0-10V Dimming leads extended to housing exterior	Blank - No Option BB - Battery Backup 0° C to 50° C (32° F to 122° F) <sup>4</sup> CWBB - Cold Weather Battery Backup -20° C to 50° C (-4° F to 122° F) <sup>4</sup>	WHT - White BLK - Black MSV - Metallic Silver	

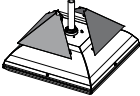
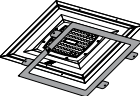



**Need more information?**  
[Click here for our glossary.](#)



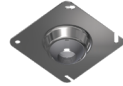
**Have additional questions?**  
Call us at (800) 436-7800





### ACCESSORY ORDERING INFORMATION (Accessories are field installed)

Order Number	Description	Product Image
XPG3 BG	<b>Bird Guard</b> Standard finishes available in white (WHT), black (BLK), metallic silver (MSV) and bronze (BRZ); other custom finishes available may require longer lead-times	
XPG PCS	<b>Polycarb Shield</b>	
584929	<b>Remote Configurator Tool for Occupancy Sensor</b>	

### PENDANT ORDERING INFORMATION (Typical Order Example: BC600 3 BLK)

Order Number	Description	Image
BC600 3	3/4" (19 mm) Top Decorative Box Cover Aligner	
BC585	3/4" (19 mm) Top Round Box Cover Aligner	
BC585SQ	3/4" (19 mm) Top Square Box Cover Aligner	

### STEM ORDERING INFORMATION (Typical Order Example: ST6 3 BLK)

Order Number	Description	Image
ST 6 3	3/4" x 6" (19 mm x 152 mm) Aluminum Stem	
ST 12 3	3/4" x 12" (19 mm x 0.4 m) Aluminum Stem	
ST 18 3	3/4" x 18" (19 mm x 0.5 m) Aluminum Stem	
ST 24 3	3/4" x 24" (19mm x 0.6 m) Aluminum Stem	
ST 36 3	3/4" x 36" (19 mm x 0.9 m) Aluminum Stem	
ST 48 3	3/4" x 48" (19 mm x 1.2 m) Aluminum Stem	
ST 60 3	3/4" x 60" (19 mm x 1.5 m) Aluminum Stem (Must order PL - Pendant Mount, 7ft Cord)	
COP 3	3/4" (19 mm) Aluminum Stem Coupler	

<sup>1</sup> Pendant stems must be ordered separately; see accessories.

<sup>2</sup> HV not available with AirLink Synapse Wireless Controls

<sup>3</sup> Sensor adjustable via a hand held remote; must be ordered separately.

<sup>4</sup> Battery Backup and Cold Weather Battery Backup available in UNV only.



# Parking Garage Lighting Fixture (XPG4) LED Luminaire

Type : \_\_\_\_\_

 Have questions? Call us at (800) 436-7800

## PERFORMANCE

Delivered Lumens <sup>1</sup>						
Lumen Package	CRI	4000K		5000K		Wattage
		Delivered Lumens	Efficacy	Delivered Lumens	Efficacy	
3L	80	3,197	132	3,206	132	24
5L	80	5,085	128	5,099	128	40
7L	80	7,143	120	7,163	121	59
10L	80	10,094	111	10,122	111	91

Electrical Data - Current Draw AMPS <sup>2</sup>							
Lumen Package	Wattage	120V	208V	240V	277V	347V	480V
3L	24	0.2	0.12	0.1	0.09	0.07	0.05
5L	40	0.33	0.19	0.17	0.14	0.11	0.08
7L	59	0.49	0.29	0.25	0.21	0.17	0.12
10L	91	0.76	0.44	0.38	0.33	0.26	0.19

Recommended Lumen Maintenance <sup>3</sup> - XPG4 7L					
Ambient Temperature °C	Initial <sup>4</sup>	25K hrs. <sup>4</sup>	50K hrs. <sup>4</sup>	75K hrs. <sup>5</sup>	100K hrs. <sup>5</sup>
0	99%	97%	95%	94%	92%
10	99%	97%	95%	94%	92%
20	99%	97%	95%	94%	92%
25	99%	97%	95%	94%	92%
30	98%	96%	94%	93%	91%
40	98%	96%	93%	91%	89%
50	98%	95%	92%	89%	86%

Recommended Lumen Maintenance <sup>3</sup> - XPG4 10L					
Ambient Temperature °C	Initial <sup>4</sup>	25K hrs. <sup>4</sup>	50K hrs. <sup>4</sup>	75K hrs. <sup>5</sup>	100K hrs. <sup>5</sup>
0	100%	96%	93%	89%	86%
10	100%	96%	93%	89%	86%
20	99%	95%	92%	88%	85%
25	99%	95%	91%	87%	84%
30	99%	95%	90%	86%	83%
40	99%	94%	89%	85%	80%
50	97%	92%	86%	81%	76%

1 LED Chips are frequently updated therefore values are nominal.

2 Electrical data at 25C (77F). Actual wattage may differ by +/-10%.

3 Lumen maintenance values at 25C are calculated per TM-21 based on LM-80 data and in-situ testing.

4 In accordance with IESNA TM-21-11, Projected Values represent interpolated value based on time durations that are within six times the IESNA LM-80-08 total test duration for the device under testing.

5 In accordance with IESNA TM-21-11, Calculated Values represent time durations that exceed six times the IESNA LM-80-08 total test duration for the device under testing.

# Parking Garage Lighting Fixture (XPG4) LED Luminaire

Type: \_\_\_\_\_

 Have questions? Call us at (800) 436-7800

## PHOTOMETRICS

Luminaire photometry has been conducted by a NVLAP accredited testing laboratory in accordance with IESNA LM-79-08. As specified by IESNA LM-79-08 the entire luminaire is tested as the source resulting in a luminaire efficiency of 100%.

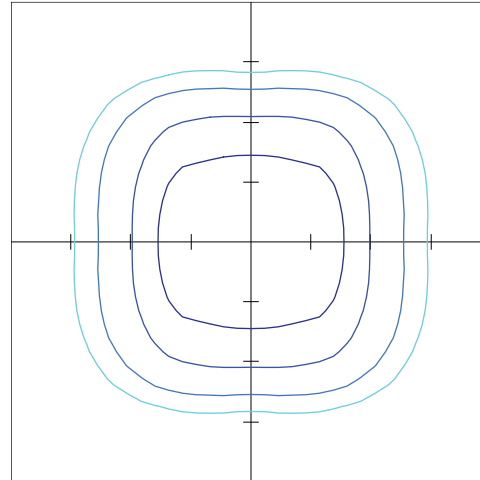
See the individual product page on <https://www.lsicorp.com/> for detailed photometric data.

### XPG4-LED-07L-5W-50

Luminaire Data	
Wide Distribution	
Description	
Delivered Lumens	
Watts	
Efficacy	
IES Type	
BUG Rating	

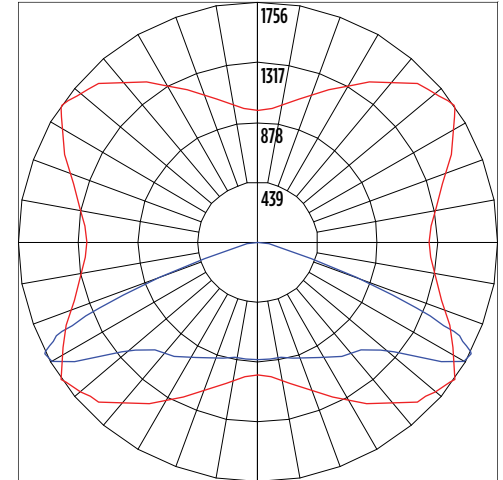
Zonal Lumen Summary		
Zone	Lumens	% Luminaire
Low (0-30°)		
Medium (30-60°)		
High (60-80°)		
Very High (80-90°)		
Uplight (90-180°)		
Total Flux		

ISO Footcandle



10' Mounting Height / 10' Grid Spacing  
 5 FC 2 FC 1 FC 0.5 FC

Polar Curve



Vertical Plane Horizontal Cone

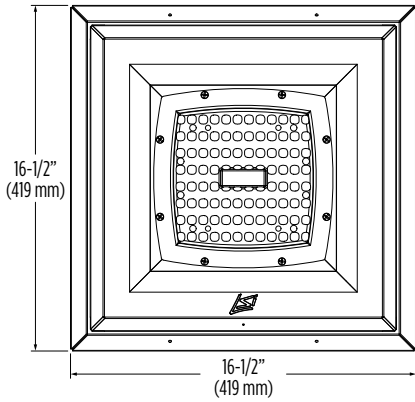
# Parking Garage Lighting Fixture (XPG4) LED Luminaire

Type: \_\_\_\_\_

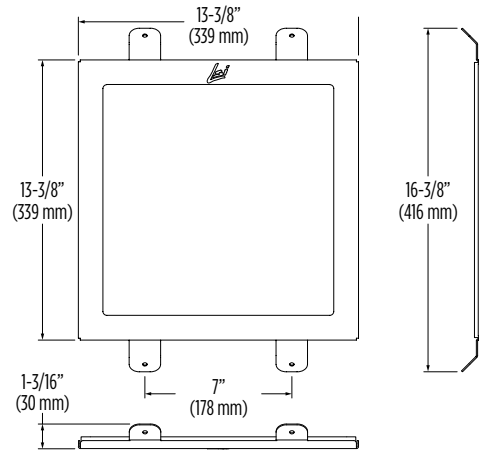
 Have questions? Call us at (800) 436-7800

## PRODUCT DIMENSIONS

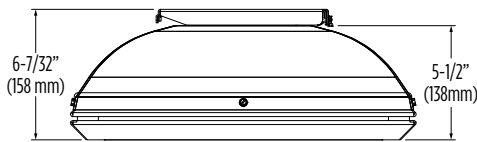
**Parking Garage Lighting Fixture (XPG4)**



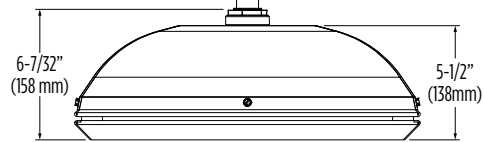
**Polycarb Shield (XPG PCS)**



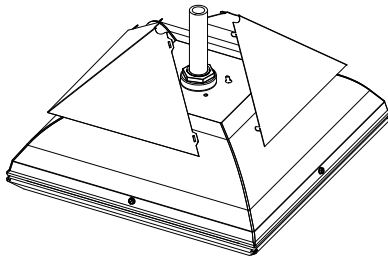
**Direct Mount (XPG4 D)**



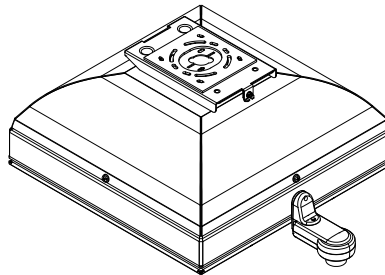
**Pendant Mount (XPG4 P)**



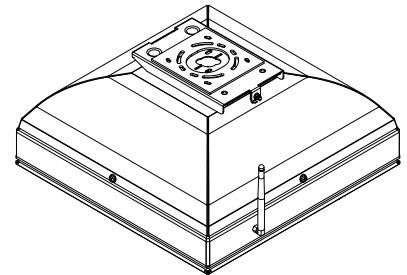
**Bird Guard (XPG3 BG)**



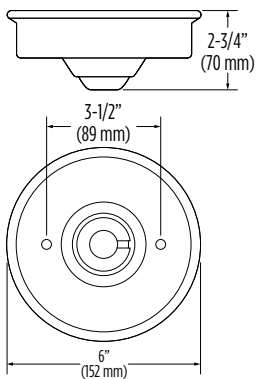
**Occupancy Sensor (OCS)**



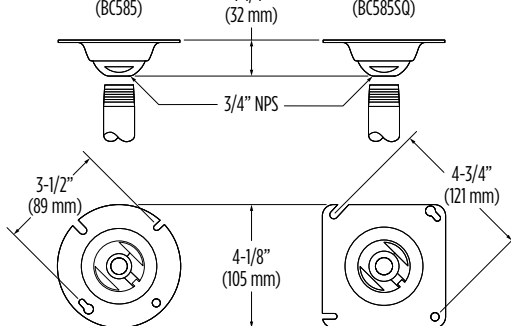
**AirLink with Synapse (ALSC)**



**Decorative Aligner (BC600 3)**

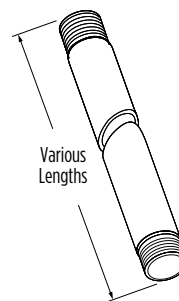


**Round Aligner (BC585)**



**Square Aligner (BC585SQ)**

**Aluminum Stem (ST 6-60 3)**



**Thread Notes**

