



# Scottsdale Vertex™ (SCV)

## Petroleum Canopy Light



### OVERVIEW

Lumen Package (lm)	9,000 - 23,000
Wattage Range (W)	67 - 188
Efficacy Range (LPW)	109 - 154
Weight lbs (kg)	18.5 (8.4)
Controls	ALBMR, IMSBTxL

### QUICK LINKS

## FEATURES & SPECIFICATIONS

### Construction

- Rugged low-profile die-cast aluminum housing, optical unit, and driver cover.
- Below canopy access to optical chamber and driver housing for serviceability.
- IP66 rated luminaire protects integral components from dust and water.
- Fixtures are finished with LSI's DuraGrip® polyester powder coat finishing process. The DuraGrip finish withstands extreme weather changes without cracking or peeling.
- Four fasteners secure the door frame to housing. Door frame also provides quick and easy access to the electrical compartment for servicing.
- Shipping weight: 18.5 lbs in carton.

### Optical System

- Symmetrical distribution utilizes a clear tempered flat glass lens to uniformly illuminate the area under the gas canopy.
- Combination Forward Throw distribution uses clear tempered flat glass and optical grade PMMA acrylic lens to create an industry leading unique distribution pattern to illuminate the area under the gas canopy and the area between the gas canopy and convenience store eliminating the need for extra floodlights.
- Available in 5000K, 4000K and 3000K color temperatures.
- Minimum CRI of 80.

### Electrical

- High-performance factory programmable driver; features include over-voltage, undervoltage, short circuit and over temperature protection.
- Integral 6kV surge protection that meets IEEE C62.41.2 and ANSI C82.77-5 Location Category C Low standards.

- Additional field replaceable 10kV surge protection device meets a minimum Category C Low operation (per ANSI/IEEE C62.41.2).
- Custom lumen and wattage packages available.
- 0-10V dimming (10% - 100%) standard.
- Standard Universal Voltage (120-277 Vac) Input 50/60 Hz or optional High Voltage (347-480 Vac).
- L80 Calculated Life: >100k Hours (See Lumen Maintenance on Page 2).
- Total harmonic distortion: <20%.
- Operating temperature: -40°C to +50°C (-40°F to +122°F) when mounted to Steel/ Aluminum surfaces for 10L, 13L, & 15L Lumen Packages, +45°C for 20L Lumen Package, and +35°C for 23L Lumen Package. If mounted to a non-metallic surface, reduce ambient by 5°C.
- Power factor: >0.90.
- High-efficacy LEDs are mounted to (4) circuit boards to maximize heat dissipation.
- Driver components are fully encased in potting material for moisture resistance. Driver complies with FCC standards.

### Hazardous Location

- Designed for lighter than air fuel applications. Product is suitable for Class 1 Division 2 with all lumen packages and distributions only when properly installed per LSI installation instructions. Models with optional controls are not approved for Class 1, Division 2 applications.
  - Gas Groups A, B, C, and D - Group A: Acetylene / Group B: Hydrogen / Group C: Propane and Ethylene / Group D: Benzene, Butane, Methane & Propane.

### Installation (Standard)

- Installs in a 12" or 16" deck pan.
- Four fasteners are provided for use in single deck steel canopies. Other suitable fasteners may be required and provided by others.
- Unit is designed to quickly retrofit into existing Scottsdale (4") hole.
- Aluminum locking collar and gasket are included and required for complete seal and support of canopy deck.
- Retrofit panels are available for existing Encores, Richmond, 2x2 Universal, and more.
- Direct mount to surface or recessed J box with hardware bracket kit ordered separately as an accessory.

### Installation (REDiMount)

- Patent pending 3 piece quick mounting system; components include collar, capsule and connector.
- Designed to reduce canopy penetrations and increase installation efficiency.
- Installs in 12" or 16" deck pan.

### Warranty

- LSI luminaires carry a 5-year limited warranty. Refer to <https://www.lsicorp.com/resources/terms-conditions-warranty/> for more information.

### Listings

- Listed to UL 1598 and UL 8750.
- Meets Buy American Act requirements.
- State of California Title 24 Compliant with ALBMRx and IMSBTxL option.
- DesignLights Consortium® (DLC) Premium qualified product. Not all versions of this product may be DLC Premium qualified. Please check the DLC Qualified Products List at [www.designlights.org/GPL](http://www.designlights.org/GPL) to confirm which versions are qualified.
- IDA compliant with 3000K or lower color temperature.

# Scottsdale Vertex™ (SCV) Petroleum Canopy Light

Type : \_\_\_\_\_

 **Have questions?** Call us at (800) 436-7800

## ORDERING GUIDE

TYPICAL ORDER EXAMPLE: SCV LED 13L SC UNV DIM 50 WHT IMSBT2 REDI									
Prefix	Light Source	Lumen Package	Distribution	Voltage	Driver	Color Temperature	Finish	Options	Mounting
SCV - Petroleum Canopy Luminaire	LED	10L - 10,000 Lumens 13L - 13,000 Lumens 15L - 15,000 Lumens 20L - 20,000 Lumens 23L - 23,000 Lumens	SC - Standard Symmetric	UNV - Universal Voltage (120-277VAC) HV - 347-480V <sup>2</sup>	DIM - 0-10V Dimming <sup>2</sup>	30 - 3000K 40 - 4000K 50 - 5000K	WHT - White BLK - Black BRZ - Bronze	Blank - None ALBMR1 - AirLink Blue Wireless Multi Range Motion and Photo Sensor (8-15' mounting height) ALBMR2 - AirLink Blue Wireless Multi Range Motion & Photo Sensor (16-40' mounting height) IMSBT1L - Integral Bluetooth™ Motion and Photocell Sensor (8-24' mounting height) <sup>3</sup> IMSBT2L - Integral Bluetooth™ Motion and Photocell Sensor (25-40' mounting height) <sup>3</sup> HL - Hazardous Location Class 1 Div 2	Blank - None REDI - REDiMount integrated junction box system <sup>6</sup>
		Custom Lumen Packages <sup>1</sup>							
		23L - 23,000 Lumens							



**Need more information?**  
[Click here for our glossary.](#)

**Have additional questions?**  
Call us at (800) 436-7800



## ACCESSORY ORDERING INFORMATION

Part Number	Description
673425R2	Retrofit Panel Kit - EC / ECTA / SCF to SCV, for 16" Deck Panel with larger openings <sup>7</sup>
676011R2	Retrofit Panel Kit - EC / ECTA / SCF to SCV, for 12" Deck Panel <sup>8</sup>
673426R2	Retrofit Panel Kit - RECU Richmond to SCV
673427R2	Retrofit Panel Kit - UNV Universal 2x2 to SCV
357282	Retrofit 2x2 Cover Panel Blank (no holes)
354702	Retrofit RIC Cover Panel Blank (no holes)
557193WHT	26" X 26" Beauty Plate Kit (with 4" Center hole)
564160WHT	26" X 32" Beauty Plate Kit (with 4" Center hole)

Part Number	Description
687461	Junction Box
1320540	Kit - Hole Plugs and Sealant (enough for 25 retrofits)
678291R2WHT	Rectangular Top Plate Kit (includes top plate and sealant)
673433R2	Surface Mount Box
687462R2	Retrofit Kit - CRU/CRUS to SCV
744333	Retrofit Kit for SCM/SCV to upgrade SC/SCF/EC/ECTA White
752172R2	Bracket SCM/SCV Direct Mount with Hardware

<sup>1</sup> Custom lumen and wattage packages available consult factory. Values are within industry standard tolerances but not DLC listed.

<sup>2</sup> HV not available with REDiMount.

<sup>3</sup> 0-10 low voltage wired dimming not available with REDiMount.

<sup>4</sup> IMSBT is field configurable via the LSI app that can be downloaded from your smartphone's native app store.

<sup>5</sup> HL not compatible with AirLink, IMSBT, 3000K, or REDiMount.

<sup>6</sup> Light fixture engine ships with REDiMount attached.

<sup>7</sup> Ideal for 9" to 12" openings.

<sup>8</sup> Ideal for 9" openings.



# Scottsdale Vertex™ (SCV) Petroleum Canopy Light

Type: \_\_\_\_\_

 Have questions? Call us at (800) 436-7800

## PERFORMANCE

Delivered Lumens*										
Lumen Package	3000K CCT			4000K CCT			5000K CCT			Wattage
	Delivered Lumens	Efficiency	BUG Ratings	Delivered Lumens	Efficiency	BUG Ratings	Delivered Lumens	Efficiency	BUG Ratings	
10L	9,652	144	B3-U0-G1	9,928	148	B3-U0-G1	10,317	154	B3-U0-G1	67
13L	12,567	140	B3-U0-G1	12,927	144	B3-U0-G1	13,443	149	B3-U0-G1	90
15L	13,999	137	B3-U0-G1	14,399	141	B3-U0-G1	14,963	147	B3-U0-G1	102
20L	18,755	141	B4-U0-G1	19,598	147	B4-U0-G1	20,234	152	B4-U0-G1	133
23L	21,783	141	B4-U0-G2	22,406	145	B4-U0-G2	23,284	150	B4-U0-G2	155
23L (SCFT)	20,886	111	B3-U0-G3	23,187	123	B4-U0-G3	23,101	123	B3-U0-G3	188

\*LEDs are frequently updated therefore values are nominal.

Recommended Lumen Maintenance - SCV 15L SC <sup>1</sup>					
Ambient Temperature °C	Lumen Multiplier				
	Initial <sup>2</sup>	25k hr <sup>2</sup>	50k hr <sup>2</sup>	75k hr <sup>2</sup>	100k hr <sup>2</sup>
25	102%	97%	92%	88%	84%
30	102%	97%	92%	88%	84%
35	102%	97%	92%	88%	84%
40	102%	97%	92%	88%	84%
45	101%	95%	91%	86%	81%
50	101%	95%	90%	85%	80%

Electrical Data - Current draw in AMPS*							
Lumen Package	Wattage	120V	208V	240V	277V	347V	480V
10L	67	0.56	0.32	0.28	0.24	0.19	0.14
13L	90	0.75	0.43	0.37	0.32	0.26	0.19
15L	102	0.85	0.49	0.42	0.37	0.29	0.21
20L	133	1.1	0.64	0.55	0.48	0.38	0.28
23L (SC)	155	1.29	0.75	0.65	0.56	0.45	0.32
23L (SCFT)	188	1.57	0.9	0.78	0.68	0.54	0.39

\*Electrical data at 25°C (77°F). Actual wattage may differ by +/-10%.

Recommended Lumen Maintenance - SCV 23 SCFT <sup>1</sup>					
Ambient Temperature °C	Lumen Multiplier				
	Initial <sup>2</sup>	25k hr <sup>2</sup>	50k hr <sup>2</sup>	75k hr <sup>2</sup>	100k hr <sup>2</sup>
25	105%	88%	73%	61%	51%
30	105%	80%	61%	47%	36%
35	105%	70%	47%	32%	21%

Recommended Lumen Maintenance - SCV 23 SC <sup>1</sup>					
Ambient temperature °C	Lumen Multiplier				
	Initial <sup>2</sup>	25k hr <sup>2</sup>	50k hr <sup>2</sup>	75k hr <sup>2</sup>	100k hr <sup>2</sup>
25	102%	97%	92%	88%	84%
30	102%	97%	92%	88%	84%
35	102%	97%	92%	88%	84%
40	101%	96%	91%	86%	82%

1 Lumen maintenance values at 25°C are calculated per TM-21 based on LM-80 data and in-situ luminaire testing.

2 In accordance with IESNA TM-21-11, Projected Values represent interpolated value based on time durations that are within six times (6X) the IESNA LM-80-08 total test duration (in hours) for the device under testing ((DUT) i.e. the packaged LED chip).

3 In accordance with IESNA TM-21-11, Calculated Values represent time durations that exceed six times NA LM-80-08 total test duration (in hours) for the device under testing ((DUT) i.e. the packaged LED chip).

# Scottsdale Vertex™ (SCV) Petroleum Canopy Light

Type : \_\_\_\_\_

 Have questions? Call us at (800) 436-7800

## PHOTOMETRICS

Luminaire photometry has been conducted by a NVLAP accredited testing laboratory in accordance with IESNA LM-79-08. As specified by IESNA LM-79-08 the entire luminaire is tested as the source resulting in a luminaire efficiency of 100%.

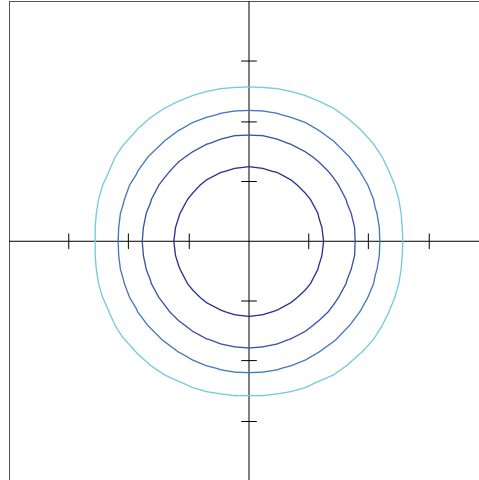
See the individual product page on <https://www.lsicorp.com/> for detailed photometric data.

### SCV-LED-15L-SC-50

Luminaire Data	
Wide Distribution	
Description	5000 Kelvin, 80 CRI
Delivered Lumens	15,410
Watts	103
Efficacy	150
IES Type	Type VS - Very Short
BUG Rating	B3-U0-G1

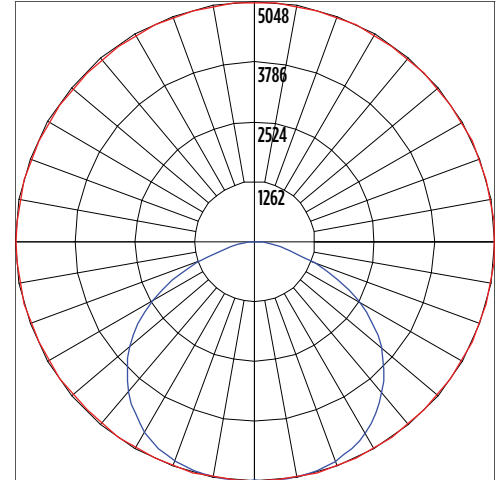
Zonal Lumen Summary		
Zone	Lumens	% Luminaire
Low (0-30°)	4,101.6	26.6%
Medium (30-60°)	8,386.4	54.4%
High (60-80°)	2,748.8	17.8%
Very High (80-90°)	173.4	1.1%
Uplight (90-180°)	0	0.0%
<b>Total Flux</b>	<b>15,410.2</b>	<b>100%</b>

#### ISO Footcandle



15' Mounting Height / 15' Grid Spacing  
 5 FC 2 FC 1 FC 0.5 FC

#### Polar Curve



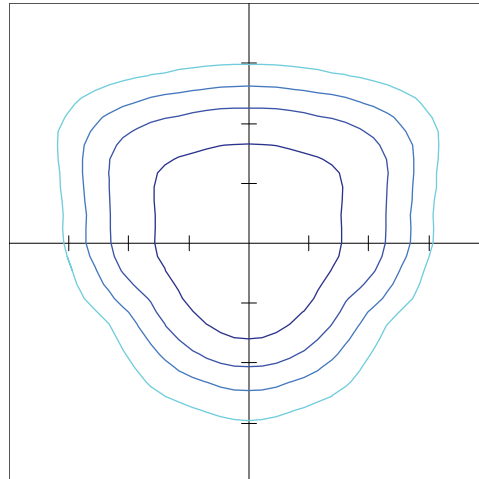
Vertical Plane Horizontal Cone

### SCV-LED-23L-SCFT-50

Luminaire Data	
Wide Distribution	
Description	5000 Kelvin, 80 CRI
Delivered Lumens	24,361
Watts	191.5
Efficacy	127
IES Type	Type IV - Short
BUG Rating	B3-U0-G3

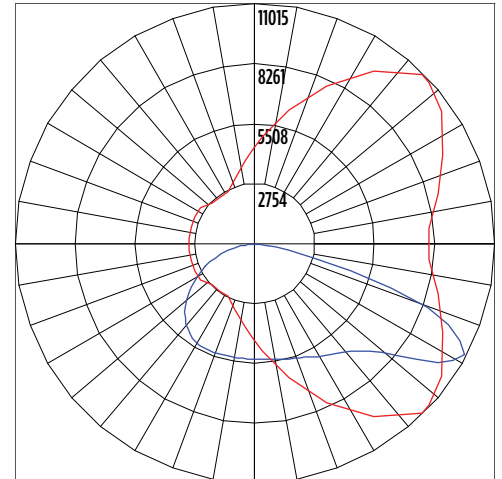
Zonal Lumen Summary		
Zone	Lumens	% Luminaire
Low (0-30°)	4,368.4	17.9%
Medium (30-60°)	12,592.5	51.7%
High (60-80°)	6,960.6	28.6%
Very High (80-90°)	439.5	1.8%
Uplight (90-180°)	0	0.0%
<b>Total Flux</b>	<b>24,361.0</b>	<b>100%</b>

#### ISO Footcandle



15' Mounting Height / 15' Grid Spacing  
 5 FC 2 FC 1 FC 0.5 FC

#### Polar Curve



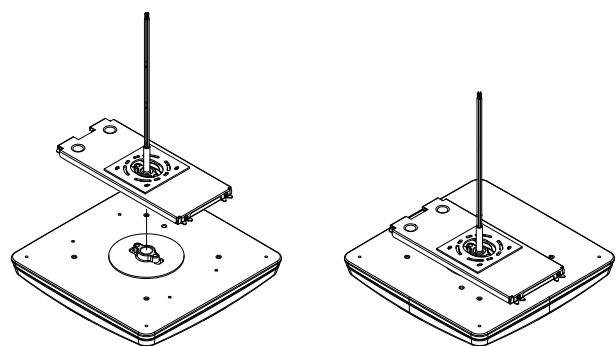
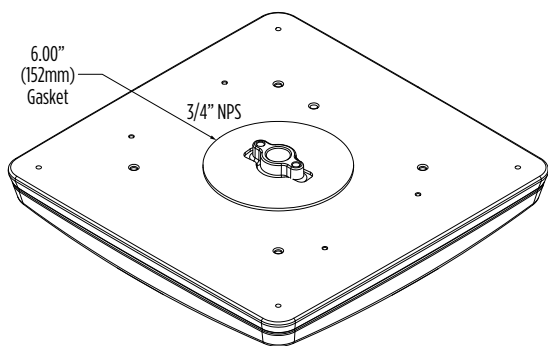
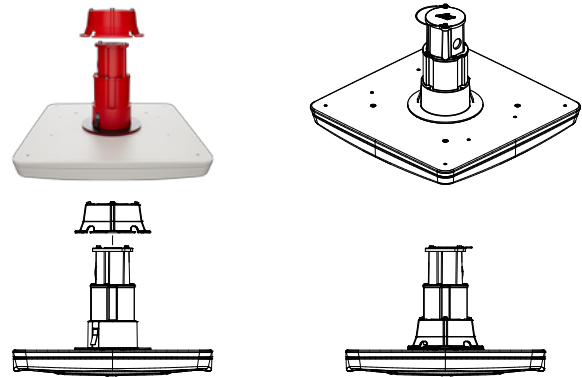
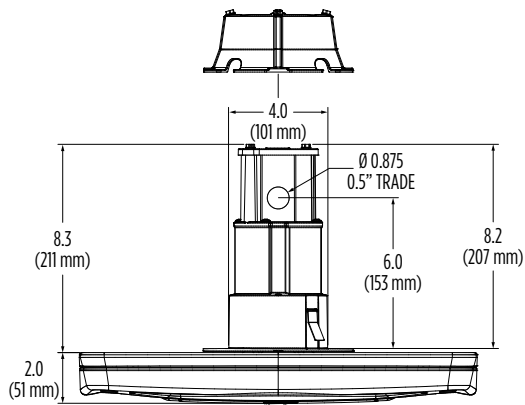
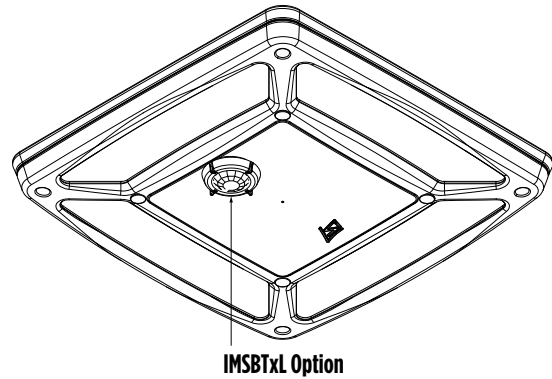
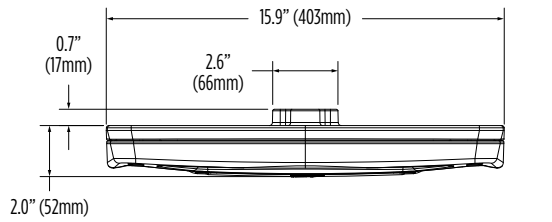
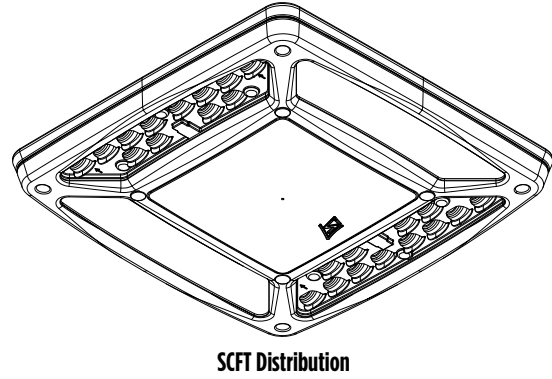
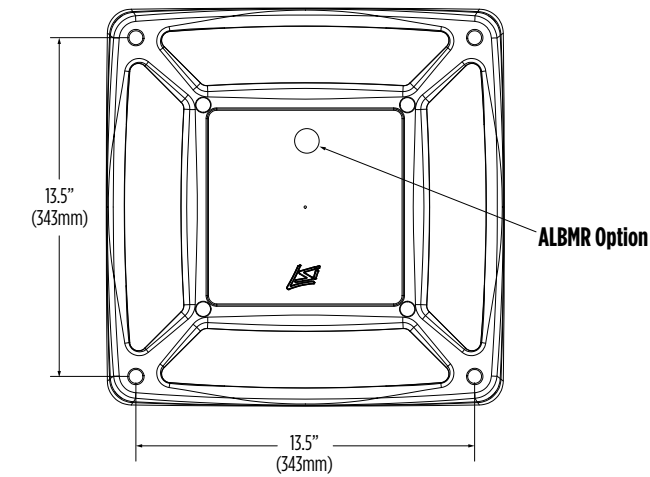
Vertical Plane Horizontal Cone

# Scottsdale Vertex™ (SCV) Petroleum Canopy Light

Type: \_\_\_\_\_

 Have questions? Call us at (800) 436-7800

## PRODUCT DIMENSIONS



## CONTROLS

---

### **Integral Bluetooth™ Motion and Photocell Sensor (IMSBT1L, IMSBT2L)**

Slim low profile sensor provides multi-level control based on motion and/or daylight. Sensor controls 0-10 VDC LED drivers and is rated for cold and wet locations (-30° C to 70° C). Two unique PIR lenses are available and used based on fixture mounting height. All control parameters are adjustable via an iOS or Android App capable of storing and transmitting sensor profiles.

[Click here to learn more details about IMSBTxL](#)

### **AirLink Blue (ALMR1, ALBCS1, ALBCS2)**

Wireless Bluetooth Mesh Lighting Control System that provides energy savings, code compliance and enhanced safety/security. Three key components; Bluetooth wireless radio/sensor controller, Time Keeper and an App. Capable of grouping multiple fixtures and sensors as well as scheduling time-based events by zone. Radio/Sensor Controller is factory integrated into luminaires.

[Click here to learn more details about AirLink Blue](#)

## RETROFIT KITS

---

LSI Industries offers a full line of Retrofit Kits for existing Encore, Richmond, 2x2 Universal and many more older canopy luminaires.

[Click here to learn more details on all our Retrofit Kits](#)