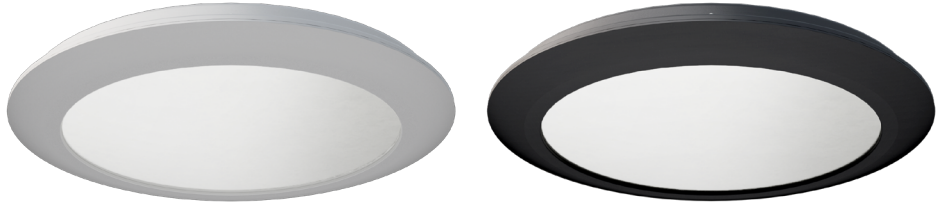




Advantage Parking and Canopy (APC)

Parking Garage & Canopy Light



OVERVIEW	
Lumen Package (lm)	4,000 - 8,000
Wattage Range (W)	34 - 68
Efficacy Range (LPW)	124 - 131
Weight lbs (kg)	17.5 (7.9)
Controls Options	IMWS, ALBCMWS

QUICK LINKS

FEATURES & SPECIFICATIONS

Construction

- Die-cast aluminum lens frame.
- Sleek, low-profile housing (<3.5") with no visible hardware or heat fins.
- Five stage chromate-conversion powder paint manufacturing process provides long life and combats against the elements.
- Hinged quick mount bracket mounts directly to a square or octagonal 4" surface or recessed j-box.
- Standard unit can mounted to a rigid 3/4" pendant/stem (pendant sold separately). Unit comes standard with 5' SO cord.

Optical System

- Precisely controlled edge lit technology provides best in class visual comfort as well as high performance.
- Available in 4000K and 5000K color temperature.
- Minimum CRI of 70.

Electrical

- This unit is selectable 4L-6L-8L. By default, the unit is set to the highest wattage and 8L output.
- 0-10V dimming (10% - 100%) standard.
- Universal Voltage (120-277 Vac) Input 50/60 Hz.
- L90 Calculated Life: >100k Hours
- Total harmonic distortion (THD): <20%
- Operating temperature: -40°C to +40°C (-40°F to +104°F).
- Power factor (PF): >0.90
- Input power stays constant over life.
- High-efficacy LEDs with integrated circuit board mount directly to the housing to maximize heat dissipation and promote long life.
- Optional 10kV surge protection device meets a minimum Category C Low operation (per ANSI/IEEE C62.41.2).

Controls

- There are 2 sensor options available:
 - Simple Sensor - integral microwave

occupancy (IMWS) sensor

- Airlink Blue Microwave occupancy Sensor (ALBCMWS)

Warranty

- LSI luminaires carry a 5-year limited warranty. Refer to <https://www.lsicorp.com/resources/terms-conditions-warranty/> for more information.

Listings

- UL and CUL listed for wet locations
- State of California Title 24 Compliant
- DesignLights Consortium® (DLC) Premium qualified product. Not all versions of this product may be DLC Premium qualified. Please check the DLC Qualified Products List at www.designlights.org/QPL to confirm which versions are qualified.

Advantage Parking and Canopy (APC)

Type : _____

 **Have questions?** Call us at (800) 436-7800

ORDERING GUIDE

TYPICAL ORDER EXAMPLE: APC 8L T5 UNV 740 MSV							
Prefix	Lumen Package	Distribution	Voltage	Color Rendering/Temperature	Finish	Controls Options	Options
APC - Advantage Parking Garage and Canopy	4L - 4,000 Lumens 6L - 6,000 Lumens 8L - 8,000 Lumens*	T5 - Type 5 Symmetrical	UNV - 120V-277V	740 - 70CRI/4000K 750 - 70CRI/5000K	MSV - Metallic Silver BLK - Black	IMWS - Integral Microwave Sensor ALBCMWS - Airlink Blue Microwave Sensor	SP1 - 10kV Surge Protection
	*Default Lumen Package						






Need more information?
[Click here for our glossary.](#)



Have additional questions?
Call us at (800) 436-7800



PENDANT ORDERING INFORMATION (Accessories are field installed)

Order Number	Description	Image
BC600 3	3/4" (19 mm) Top Decorative Box Cover Aligner	
BC585	3/4" (19 mm) Top Round Box Cover Aligner	
BC585SQ	3/4" (19 mm) Top Square Box Cover Aligner	

STEM ORDERING INFORMATION (Accessories are field installed)

Order Number	Description	Image
ST 6 3	3/4" x 6" (19 mm x 152 mm) Aluminum Stem	
ST 12 3	3/4" x 12" (19 mm x 0.4 m) Aluminum Stem	
ST 18 3	3/4" x 18" (19 mm x 0.5 m) Aluminum Stem	
ST 24 3	3/4" x 24" (19mm x 0.6 m) Aluminum Stem	
ST 36 3	3/4" x 36" (19 mm x 0.9 m) Aluminum Stem	
ST 48 3	3/4" x 48" (19 mm x 1.2 m) Aluminum Stem	
COP 3	3/4" (19 mm) Aluminum Stem Coupler	
819046	APC PMK (Pendant Mount Kit)	

PERFORMANCE

Delivered Lumens ¹						
Lumen Package	4000K CCT			5000K CCT		Wattage
	Delivered Lumens	Efficacy	Delivered Lumens	Efficacy		
APC 8L T5 UNV 7XX	8556	126	8417	124	68	
APC 6L T5 UNV 7XX	6979	129	6866	126	54	
APC 4L T5 UNV 7XX	4467	131	4395	130	34	

Electrical Data - Current Draw AMPS ²							
Lumen Package	Wattage	120V	208V	240V	277V	347V	480V
APC 8L T5 UNV 7XX	68	0.57	0.33	0.28	0.25	0.20	0.14
APC 6L T5 UNV 7XX	54	0.45	0.26	0.23	0.20	0.16	0.11
APC 4L T5 UNV 7XX	34	0.28	0.16	0.14	0.12	0.10	0.07

Recommended Lumen Maintenance - APC ³					
Ambient Temperature °C	Initial ⁴	25K hrs. ⁴	50K hrs. ⁴	75K hrs. ⁵	100K hrs. ⁵
0	100%	96%	91%	87%	82%
10	100%	96%	91%	87%	82%
20	100%	96%	91%	87%	82%
25	100%	96%	91%	87%	82%
30	100%	96%	91%	86%	82%
40	100%	96%	91%	86%	82%

¹ LED Chips are frequently updated therefore values are nominal.

² Electrical data at 25C (77F). Actual wattage may differ by +/-10%.

³ Lumen maintenance values at 40C are calculated per TM-21 based on LM-80 data and in-situ testing.

⁴ In accordance with IESNA TM-21-II, Projected Values represent interpolated value based on time durations that are within six times the IESNA LM-80-08 total test duration for the device under testing.

⁵ In accordance with IESNA TM-21-II, Calculated Values represent time durations that exceed six times the IESNA LM-80-08 total test duration for the device under testing.

PHOTOMETRICS

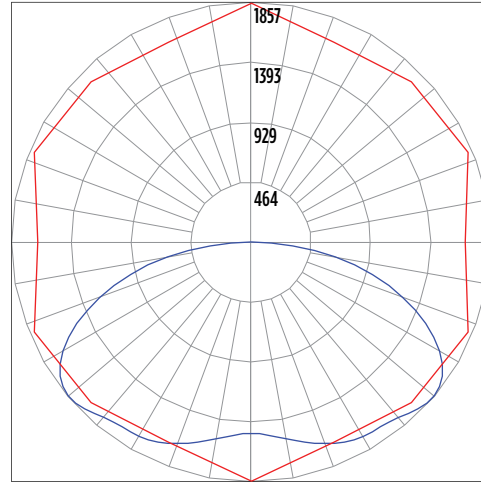
Luminaire photometry has been conducted by a NVLAP accredited testing laboratory in accordance with IESNA LM-79-08. As specified by IESNA LM-79-08 the entire luminaire is tested as the source resulting in a luminaire efficiency of 100%.

See the individual product page on <https://www.lsicorp.com/> for detailed photometric data.

APC-8L-T5-UNV-750

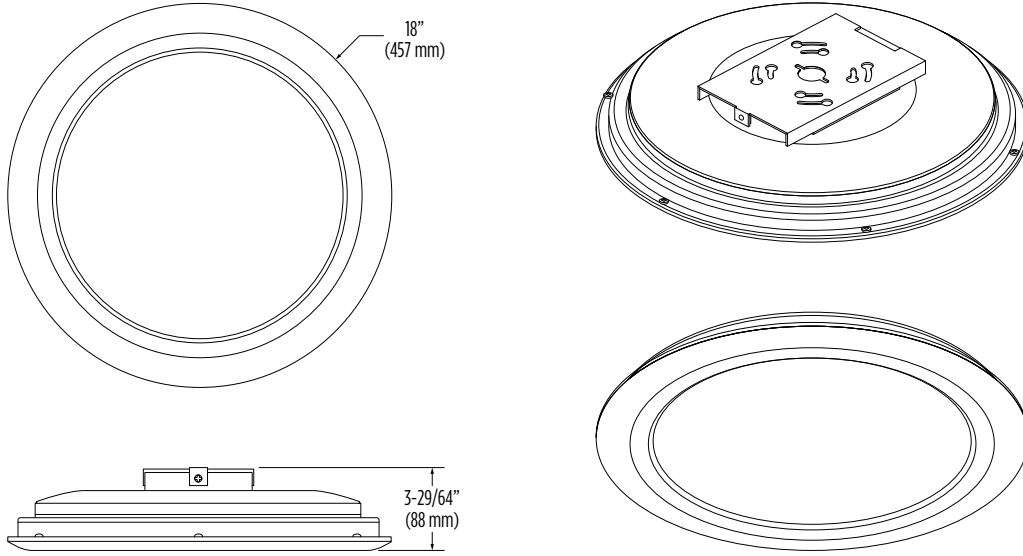
Zonal Lumen Summary		
Zone	Lumens	% Luminaire
Low (0-30°)	1,389	17%
Medium (30-60°)	3,985	48%
High (60-80°)	2,670	32%
Very High (80-90°)	372	4%
Uplight (90-180°)	0	0%
Total Flux	8,417	100%

Polar Curve

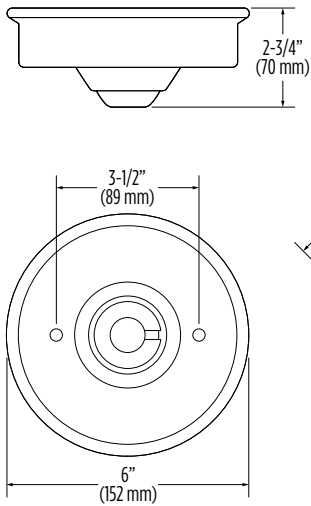


 Vertical Plane  Horizontal Cone

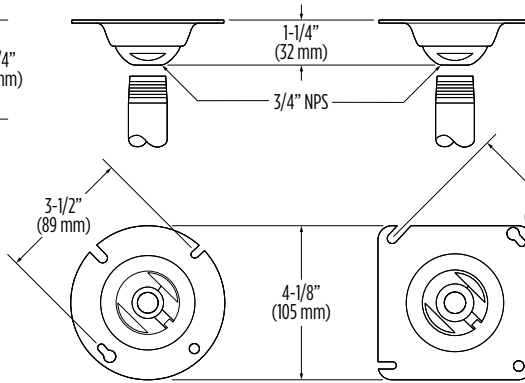
PRODUCT DIMENSIONS



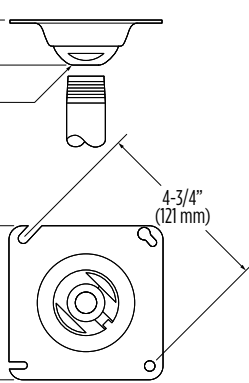
Decorative Aligner
(BC600 3)



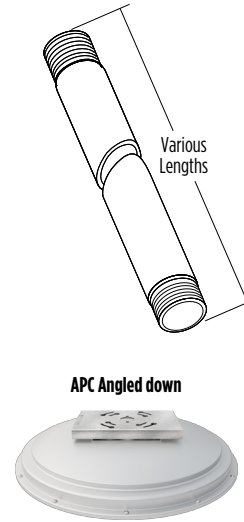
Round Aligner
(BC585)



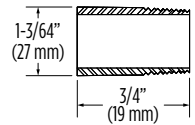
Square Aligner
(BC585SQ)



Aluminum Stem
(ST 6-60 3)



Thread Notes
3/4 - 14 NPT
(3/4" Pipe)
(14 Threads Per Inch)
(National Pipe Tapered)



MOUNTING

Direct/Surface Mount

Mounting plate with "quick mount" hanger for one person simple installation to a 4" square or octagonal junction box.



Pendant/Stem Mount

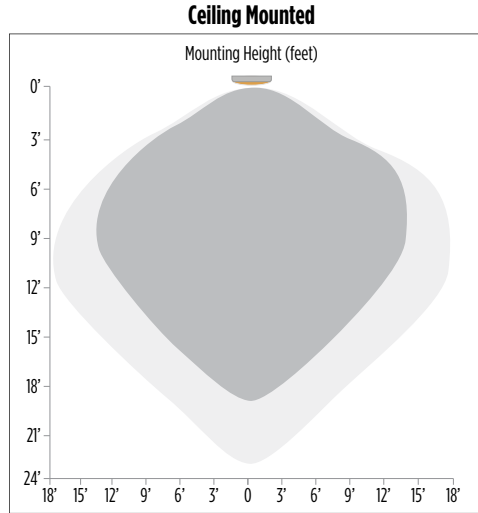
3/4" threaded nuts (included) provide mounting to rigid 3/4" pendant/stem (order separately).



CONTROLS

Microwave Sensor (IMWS)

Hidden sensor provides multi-level control based on motion. Microwave sensors provide strong and reliable motion detection ideal for parking garage and canopy applications. Default high setting of 100%, after 15 minutes of no motion detection the sensor will drop the luminaire to the default dim/low setting of 30%. Microwave Sensor is not compatible with external dimming or other control devices.



AirLink Blue (ALBCSx)

Wireless Bluetooth Mesh Lighting Control System that provides energy savings, code compliance and enhanced safety/security for indoor and outdoor lighting applications. Key components include Bluetooth wireless sensors, control modules, astronomic time keeper, and manual override wall controls all configured from the AirLink Blue iOS App. Capable of grouping multiple fixtures and sensors as well as scheduling time-based events by zone. Sensors and controllers can be factory installed and integrated into fixtures or external control modules can be utilized by hard wiring to fixtures in the field where fixture integration is not possible.

[Click here to learn more details about AirLink Blue](#)



AirLink Blue App



Apple