

# WINE CRATE SPOT MERCHANTISER



140 Park Street • Milo, Maine 04463 • 800.332.5507 TEL • 207.943.5632 FAX • [JSISTOREFIXTURES.COM](http://JSISTOREFIXTURES.COM)  
Milo, Maine • Bangor, Maine • Suwanee, Georgia • Payson, Utah • Greenville, South Carolina • Collingwood, Ontario

# WINE CRATE SPOT MERCHANDISER

## DESCRIPTION

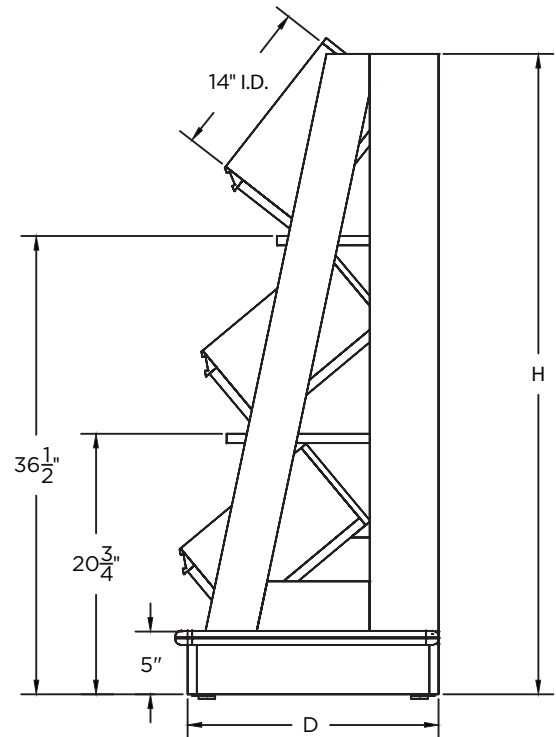
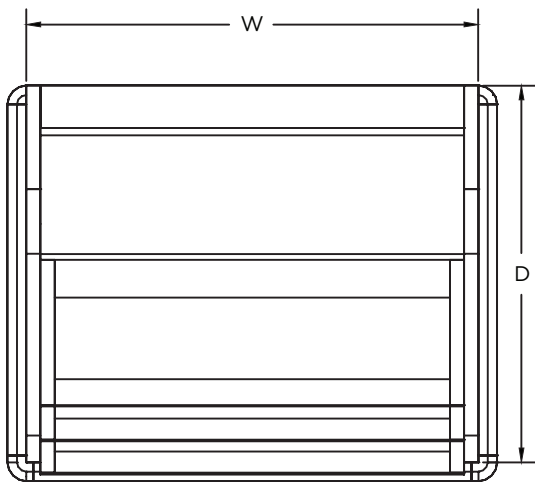
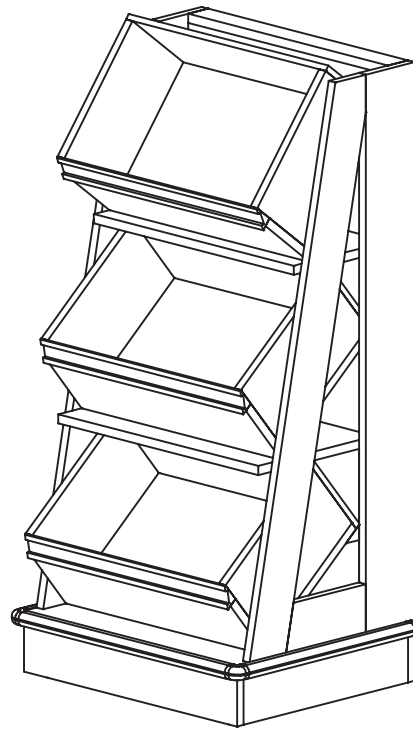
JSI Spot Merchandisers can be placed virtually anywhere in the store to promote impulse wine sales.

## FEATURES

- 3 Levels of Merchandising Area for Wine/Liquor
- Wooden PTM
- Variety of Colors/Options

## APPLICATIONS

- Use as an End Cap or a Spot Merchandiser



STYLE	ITEM #	SIZES W x D x H
WINE CRATE SPOT MERCHANDISER	C-WD-SM-A	24" X 20" X 51"

## MATERIALS, FINISHES, AND ACCESSORIES

Please refer to our "Stains and Accessories" brochure to see our wide range of materials, finishes, and accessories.