

WINE CRATE ISLAND



140 Park Street • Milo, Maine 04463 • 800.332.5507 TEL • 207.943.5632 FAX • JSISTOREFIXTURES.COM
Milo, Maine • Bangor, Maine • Suwanee, Georgia • Payson, Utah • Greenville, South Carolina • Collingwood, Ontario

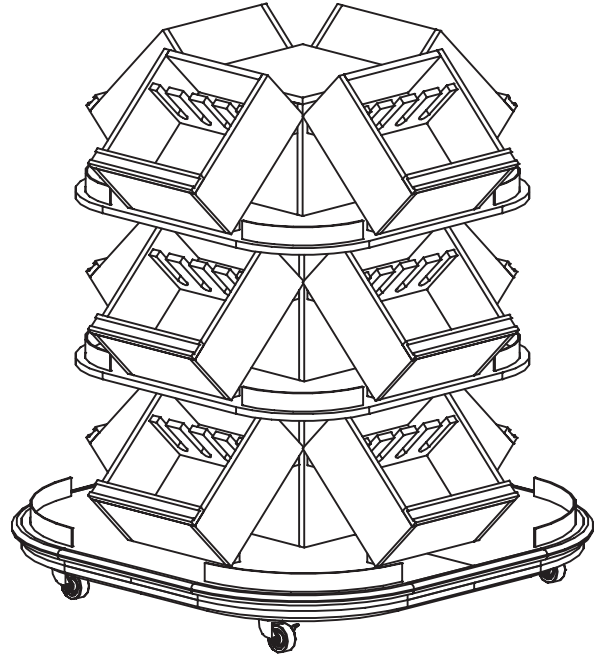
WINE CRATE ISLAND

DESCRIPTION

JSI shop-around Island merchandisers can be placed virtually anywhere in the store to promote impulse wine sales.

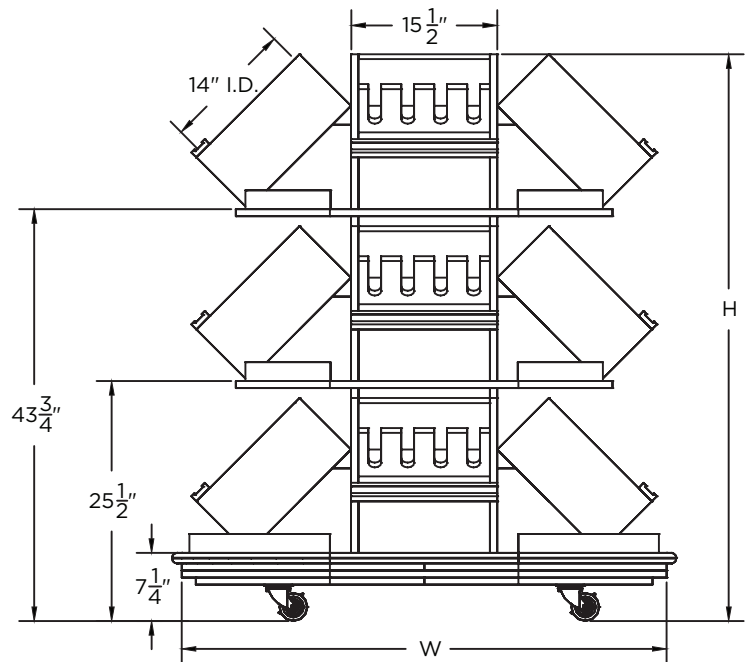
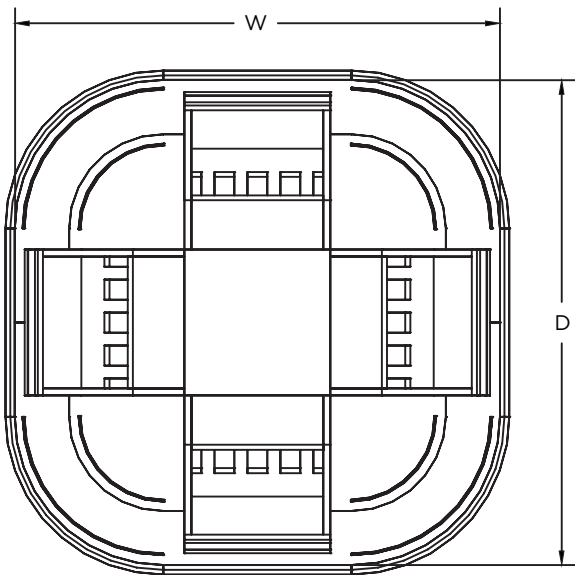
FEATURES

- 3 Levels of Merchandising Area for Wine/Liquor
- 3" Locking Casters
- Plexi Product Stops on All Levels
- Wooden PTM
- Variety of Colors/Options



APPLICATIONS

- Use as a Stand-Alone Spot Merchandiser



STYLE	ITEM #	SIZES W x D x H
WINE ISLAND	C-WD-SA-A	52" X 52" X 60"

MATERIALS, FINISHES, AND ACCESSORIES

Please refer to our "Stains and Accessories" brochure to see our wide range of materials, finishes, and accessories.