

# UPPER STORAGE TRIPLE LEVEL CANOPY



SHOWN ON  
HIGH WALL WINE UNIT



140 Park Street • Milo, Maine 04463 • 800.332.5507 TEL • 207.943.5632 FAX • [JSISTOREFIXTURES.COM](http://JSISTOREFIXTURES.COM)  
Milo, Maine • Bangor, Maine • Suwanee, Georgia • Payson, Utah • Greenville, South Carolina • Collingwood, Ontario

# UPPER STORAGE TRIPLE LEVEL CANOPY

## DESCRIPTION

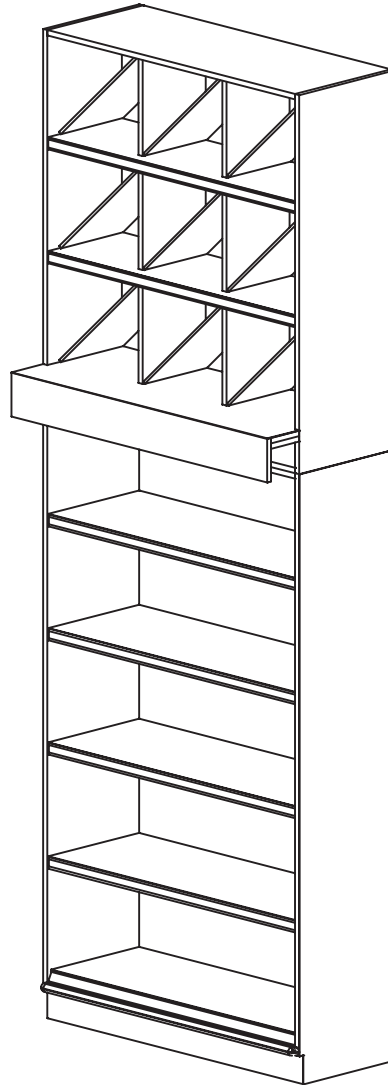
Upper Storage units are an excellent way to add décor while minimizing overstock in the back room. Available in single, double, and triple levels to meet your capacity and visual needs.

## FEATURES

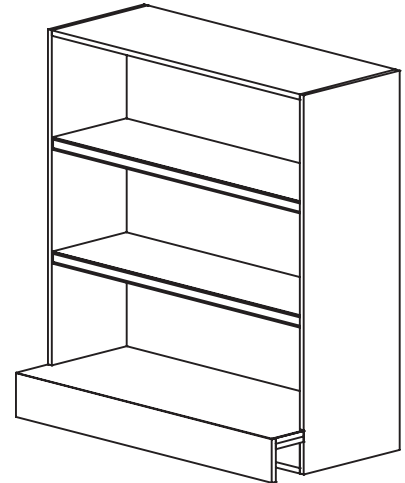
- Available with Open Shelf or 3 Divider Box Shelf
- ABS Shelf Liners
- Available in Left/Center/Right Versions
- Optional Lighting Available
- Variety of Colors/Options

## APPLICATIONS

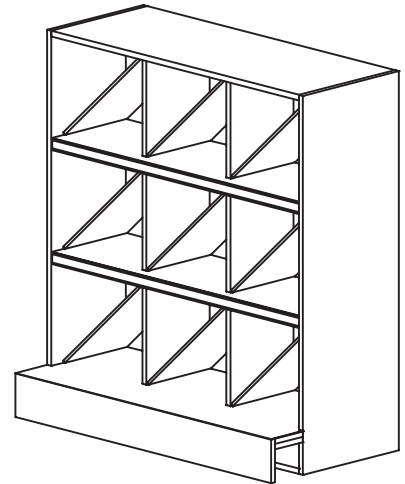
- Use on High Wall Shelving Units



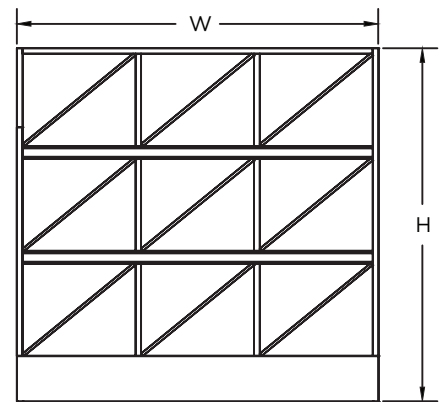
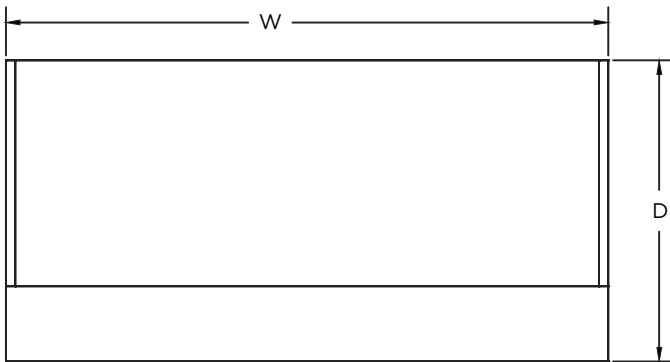
SHOWN ON 5-LEVEL HIGH WALL UNIT



CENTER VERSION SHOWN WITHOUT DIVIDERS



CENTER VERSION SHOWN WITH DIVIDERS



STYLE	ITEM #	SIZES W x D x H
TRIPLE LEVEL CANOPY	C-WD-HCAN-L3 C-WD-HCAN-C3 C-WD-HCAN-R3 -D FOR WOOD VERTICAL DIVIDERS -P FOR PLEXI ANGLE DIVIDERS	36" X 25" X 52" 48" X 25" X 52" 36" X 31" X 52" 48" X 31" X 52"

## MATERIALS, FINISHES, AND ACCESSORIES

Please refer to our "Stains and Accessories" brochure to see our wide range of materials, finishes, and accessories.