

# LOW PROFILE BREAD RACK



140 Park Street • Milo, Maine 04463 • 800.332.5507 TEL • 207.943.5632 FAX • [JSISTOREFIXTURES.COM](http://JSISTOREFIXTURES.COM)  
Milo, Maine • Bangor, Maine • Suwanee, Georgia • Payson, Utah • Greenville, South Carolina • Collingwood, Ontario

# LOW PROFILE BREAD RACK

## DESCRIPTION

Our Bread Rack is the perfect compliment to any department for adding highlighted merchandise.

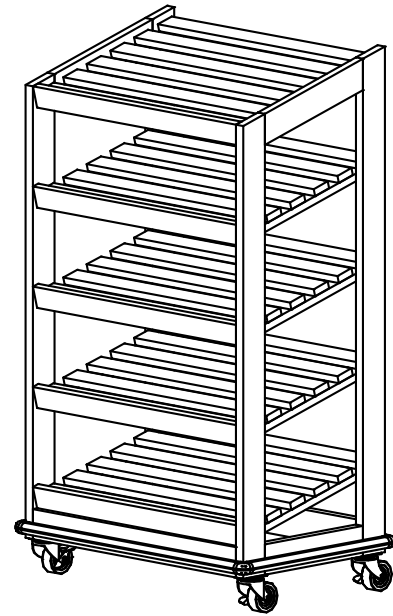
**30" WIDE BREAD RACK SHOWN WITH OPTIONAL BUMPER. SHELF SIZE IS DESIGNED TO HOLD A STANDARD 26" X 18" BAKERY TRAY**

## FEATURES

- Available with 5 or 6 Levels of Shelving for Bakery Items
- Hardwood Slatted Shelves

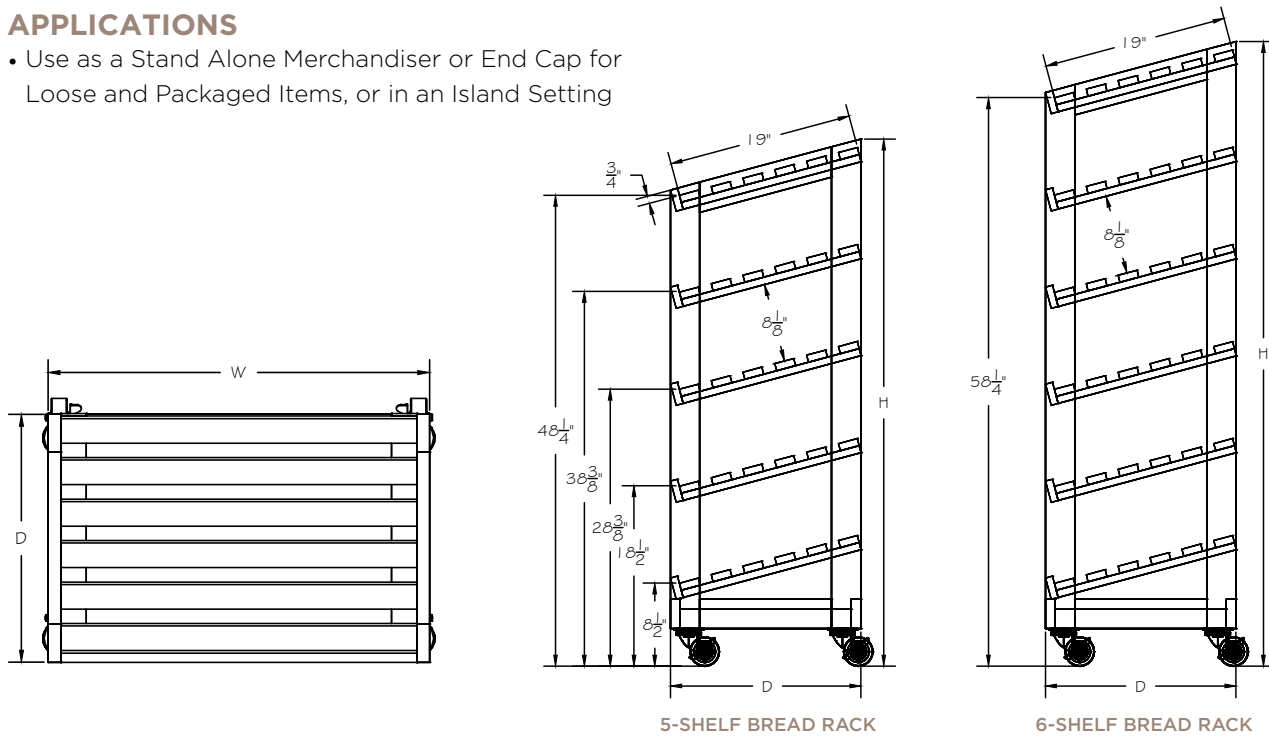
## OPTIONS

- Variety of Materials / Stains / Options



## APPLICATIONS

- Use as a Stand Alone Merchandiser or End Cap for Loose and Packaged Items, or in an Island Setting



5-SHELF BREAD RACK

6-SHELF BREAD RACK

STYLE	ITEM #	SIZES W x D x H
5-SHELF BREAD RACK	C-BR	30" X 19 1/2" X 54"
		36" X 19 1/2" X 54"
		48" X 19 1/2" X 54"
6-SHELF BREAD RACK	C-BR	30" X 19 1/2" X 64"
		36" X 19 1/2" X 64"
		48" X 19 1/2" X 64"

Consult JSI Sales Associate for Available Glass Shields and Countertop Surfaces

## MATERIALS, FINISHES, AND ACCESSORIES

Please refer to our "Stains and Accessories" brochure to see our wide range of materials, finishes, and accessories.