

CURVED FRONT BREAD BAR



140 Park Street • Milo, Maine 04463 • 800.332.5507 TEL • 207.943.5632 FAX • JSISTOREFIXTURES.COM
Milo, Maine • Bangor, Maine • Suwanee, Georgia • Payson, Utah • Greenville, South Carolina • Collingwood, Ontario

CURVED FRONT BREAD BAR

DESCRIPTION

JSI offers Bread Bar styles for any fresh bread program. Whether you have a scratch bakery and want to show off your ingredients or a great bake-off program, we have the right style and size to excite your customers!

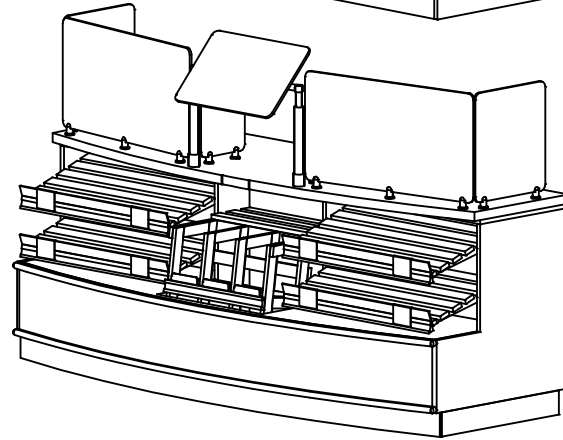
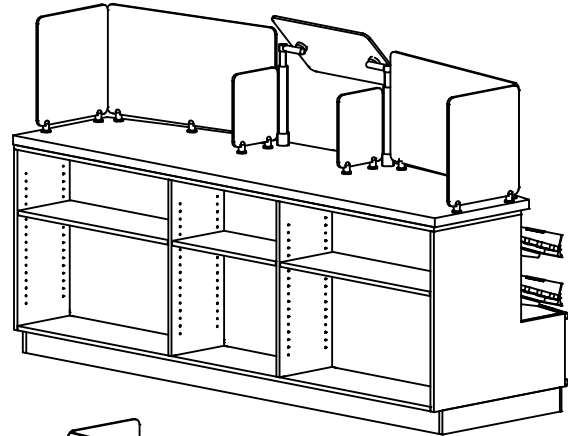
SHOWN WITH OPTIONAL ADJUSTABLE CENTER SNEEZE SHIELD FOR SAMPLING AND FIXED GLASS ON ENDS

FEATURES

- Slat Shelf Base with Wooden Price Tag Molding and Plexi Product Stops
- Baguette Box
- Large Storage Area on Customer Service Side with Adjustable Shelf for Bags and Boxes

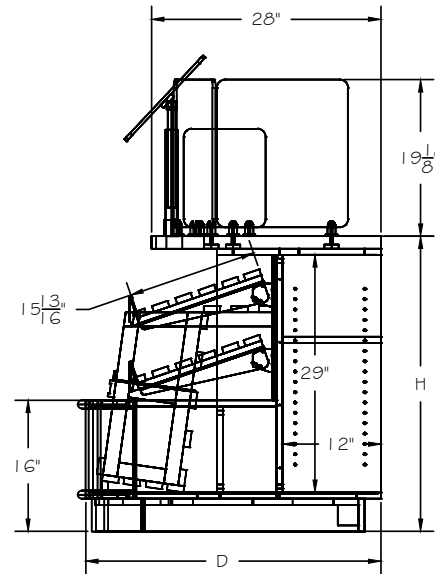
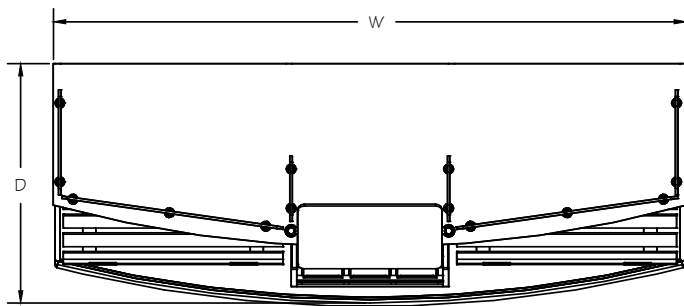
OPTIONS

- Fixed or Adjustable Glass Shields on Left, Right, and Front
- Countertop Surfaces
- Removable Deck Shelves
- Bumper
- Variety of Materials / Stains / Options



APPLICATIONS

- Use with Glass for Service or without Glass for Self-Service Wrapped Breads
- Put in a Line-Up with Other Fixtures to Create a Larger Display



STYLE	ITEM #	SIZES W x D x H
CURVED FRONT BREAD BAR	C-BBCF	84" X 36" X 36" 96" X 36" X 36"

Consult JSI Sales Associate for Available Glass Shields and Countertop Surfaces

MATERIALS, FINISHES, AND ACCESSORIES

Please refer to our "Stains and Accessories" brochure to see our wide range of materials, finishes, and accessories.