

OPEN BAKERY CASE



OPEN DISPLAY CASE - CENTER



OPEN DISPLAY CASE - LEFT/CENTER/RIGHT



OPEN BAKERY CASE

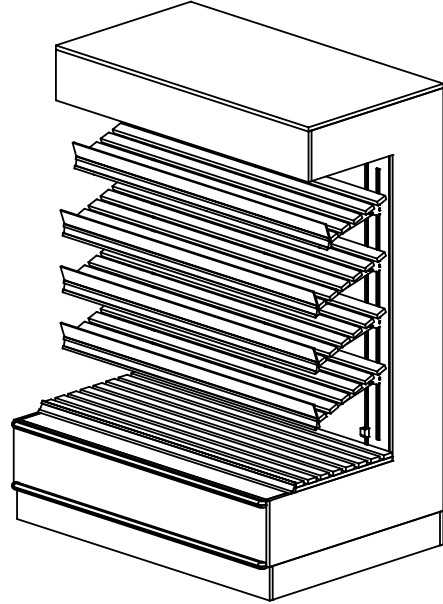
DESCRIPTION

Our Open Display Case matches our Door Display Cases. This unit completes the perimeter line-up with an attractive, well lighted display for packaged bakery products.

OPEN DISPLAY CASE WITH OPTIONAL BUMPER

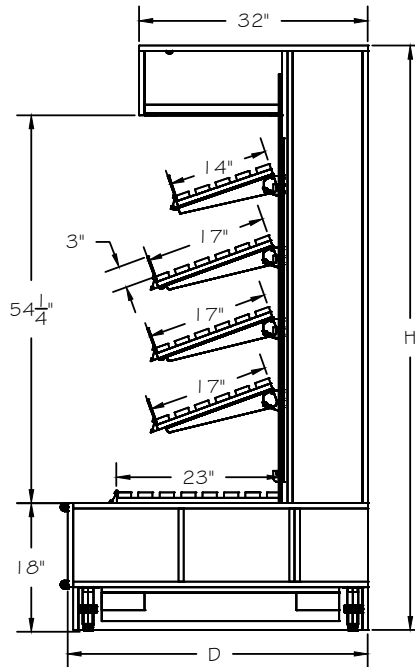
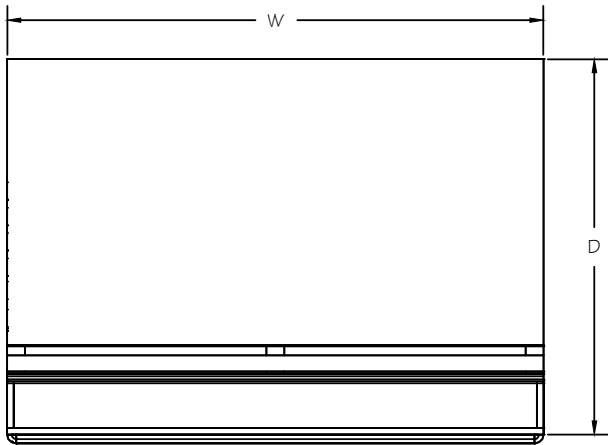
FEATURES

- Available in 4', 5' or 6' Wide Versions
- 4 Adjustable Wooden Slatted Shelves with Plexi Product Stops and Hardwood Price Tag Molding
- Shelves Can Be Set Straight or Angled
- LED Lighting
- Variety of Colors/Options



APPLICATIONS

- Use as a Stand-Alone for Loose and Packaged Items or in an Island Setting



STYLE	ITEM #	SIZES W x D x H
OPEN DISPLAY CASE - LEFT	C-DCL	48" X 42" X 81"
OPEN DISPLAY CASE - CENTER	C-DCC	60" X 42" X 81"
OPEN DISPLAY CASE - RIGHT	C-DCR	72" X 42" X 81"

MATERIALS, FINISHES, FOAM, AND ACCESSORIES

Please refer to our "Styles, Groupings, Stains, and Accessories" brochure to see our wide range of materials, finishes, and accessories.