

LOW-WALL BAKERY SHELVING



LOW-WALL SHELVING UNIT
SHOWN WITH ANGLED
HARDWOOD SLATTED SHELVES



LOW-WALL SHELVING UNIT
SHOWN WITH
ANGLED SOLID SHELVES



LOW-WALL SHELVING WITH CRUSTY BREAD RACK



LOW-WALL BAKERY SHELVING

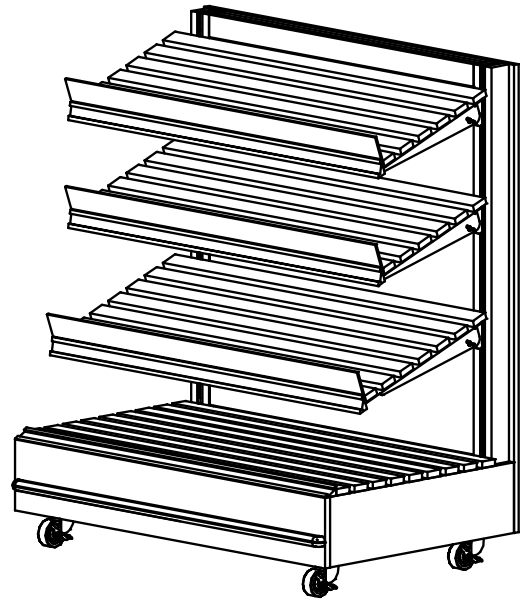
DESCRIPTION

Our Low-Wall Bakery Shelving can be used as a department perimeter fixture, separating the production area from the sales floor, while leaving visibility for the customer to see over the top. This fixture also can be used as an end cap or open-floor merchandiser.

LOW-WALL SHELVING UNIT SHOWN WITH ANGLED HARDWOOD SLATTED SHELVES AND OPTIONAL BUMPER

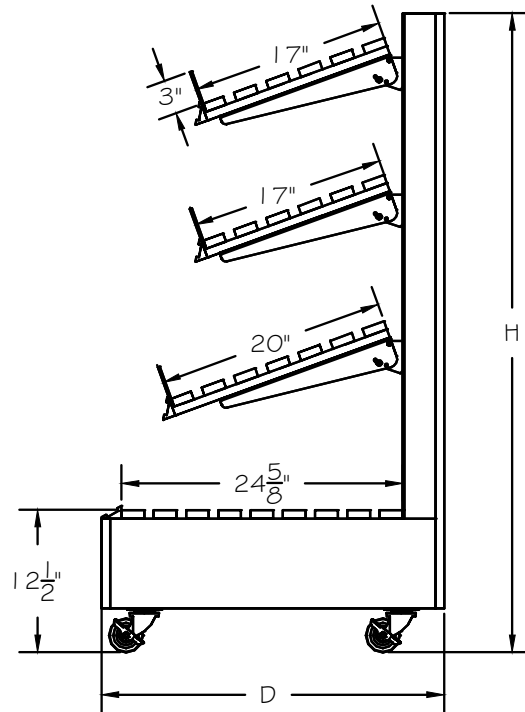
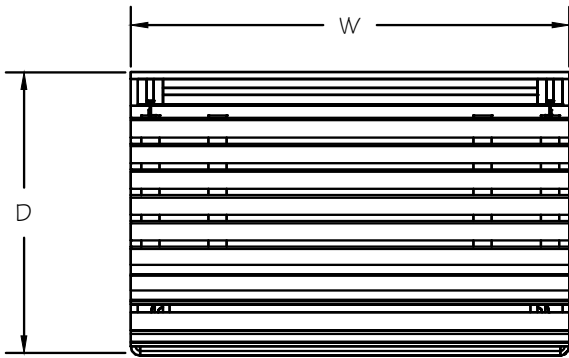
FEATURES

- 3 Levels of Shelving with Angled Price Tag Molding and Removable 3" High Acrylic Front Product Stops
- Available with Solid Shelves or Hardwood Slatted Shelves
- Fully Adjustable Shelves Can Be Angled or Straight
- 3" Locking Casters
- Variety of Materials/Finishes/Options



APPLICATIONS

- Use in a Line-Up to Create a Bakery Wall
- Use as a Stand-Alone or End Cap for Loose and Packaged Items



STYLE	ITEM #	SIZES W x D x H
LOW-WALL BAKERY SHELVING	C-LWS	36" X 30" X 56" 48" X 30" X 56"

MATERIALS, FINISHES, FOAM, AND ACCESSORIES

Please refer to our "Styles, Groupings, Stains, and Accessories" brochure to see our wide range of materials, finishes, and accessories.