

LOW-PROFILE BAKERY ISLAND END CAP



BAKERY ISLAND END CAP
SHOWN WITH HARDWOOD SLATTED SHELVES
SET AT AN ANGLE



BAKERY ISLAND END CAP
SHOWN WITH SOLID
SHELVES SET AT AN ANGLE



BAKERY ISLAND END CAP
SHOWN WITH HARDWOOD SLATTED SHELVES
AND OPTIONAL CRUSTY BREAD RACK



BAKERY ISLAND
WITH SLATTED END CAPS AND
4' SLATTED BAKERY ISLAND CENTER



LOW-PROFILE BAKERY ISLAND END CAP

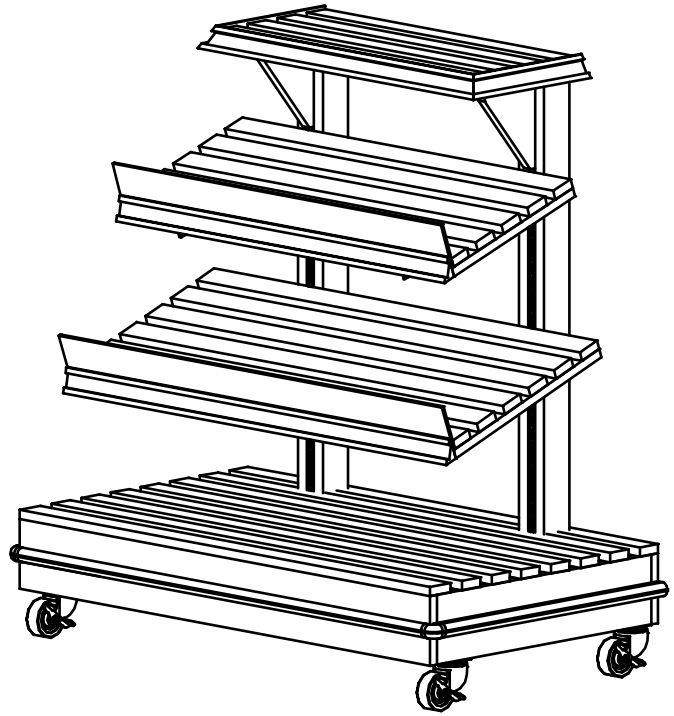
DESCRIPTION

Our Bakery Island end cap display shelving completes our Island Center unit. It is ideal for any bakery product. Optional solid shelves make it great for Deli items.

BAKERY ISLAND END CAP WITH HARDWOOD SLATTED SHELVES; AND OPTIONAL BUMPER

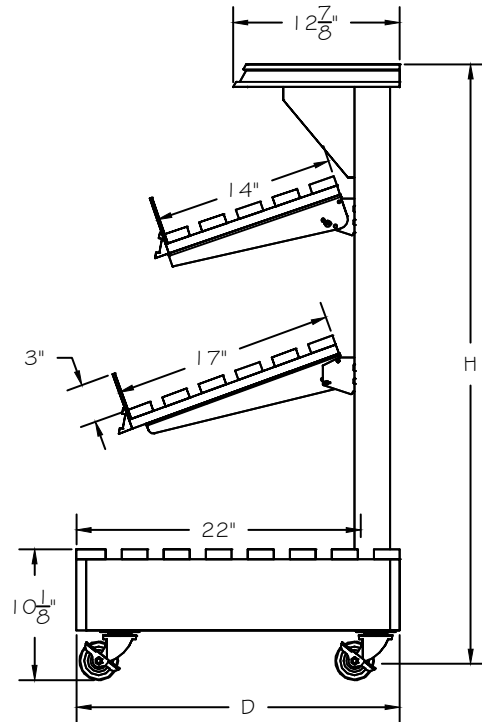
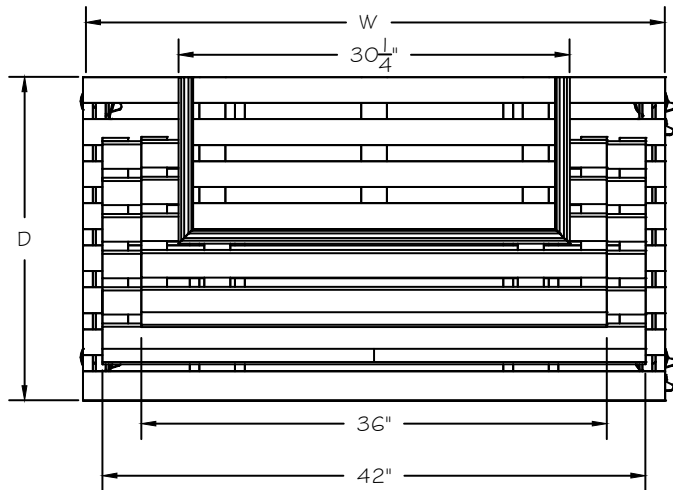
FEATURES

- 4 Levels of Shelving with Angled Price Tag Molding
- Removable 3" High Acrylic Front Product Stops
- Available with Solid Shelves or Hardwood Slatted Shelves
- 2 Adjustable Shelves Can Be Set Straight or Angled
- 3" Locking Casters
- Variety of Materials/Finishes/Options



APPLICATIONS

- Use as a Stand-Alone for Loose and Packaged Items or in an Island Setting



STYLE	ITEM #	SIZES W x D x H
LOW-PROFILE BAKERY ISLAND END CAP	C-ISL-E	45" X 25" X 48"

MATERIALS, FINISHES, FOAM, AND ACCESSORIES

Please refer to our "Styles, Groupings, Stains, and Accessories" brochure to see our wide range of materials, finishes, and accessories.