

# LOW-PROFILE BAKERY ISLAND CENTER UNIT



BAKERY ISLAND CENTER  
SHOWN WITH ANGLED HARDWOOD  
SLATTED SHELVES



BAKERY ISLAND CENTER  
SHOWN WITH ANGLED SOLID SHELVES



BAKERY ISLAND  
WITH SLATTED END CAPS AND  
4' SLATTED BAKERY ISLAND CENTER

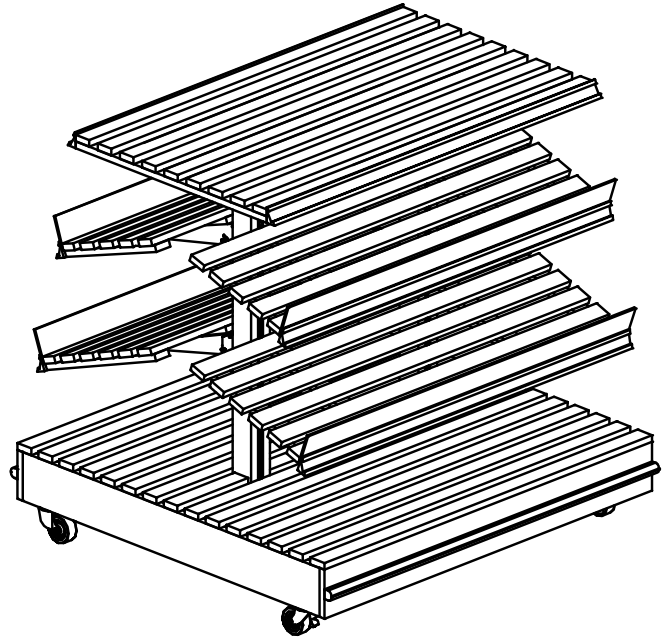


# LOW-PROFILE BAKERY ISLAND CENTER UNIT

## DESCRIPTION

Our Bakery Island display shelving is ideal for any bakery product. From breads to cookies to pies, whatever the product, this flexible merchandiser can do it all! Optional solid shelves make it great for deli items.

## BAKERY ISLAND CENTER SHOWN WITH ANGLED HARDWOOD SLATTED SHELVES SET AND OPTIONAL BUMPER

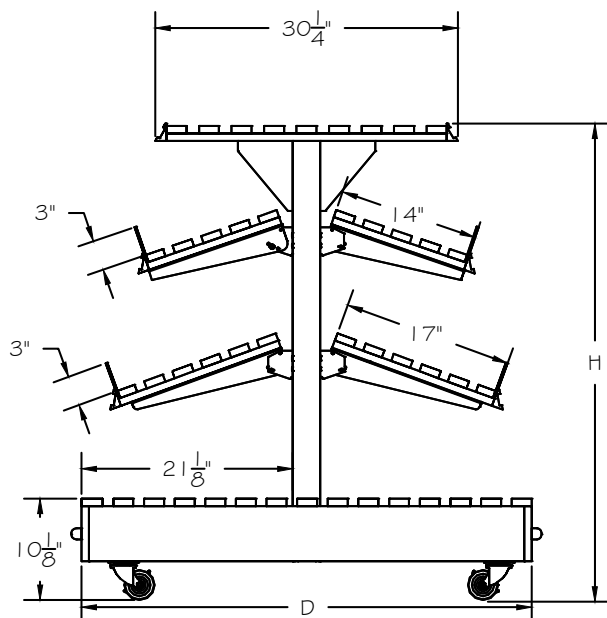
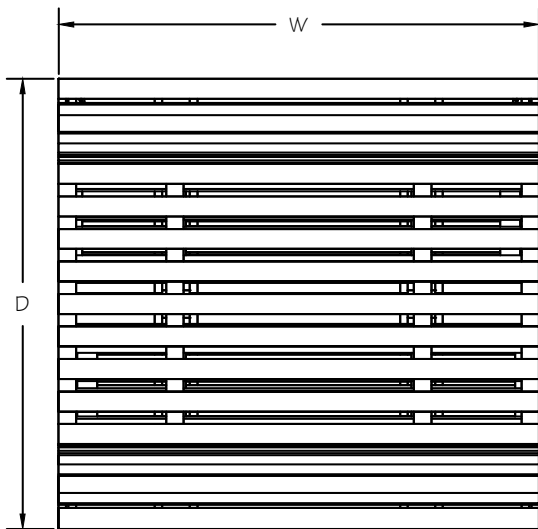


## FEATURES

- 4 Adjustable Shelves with Angled Price Tag Molding
- Removable 3" High Acrylic Front Product Stops
- 2 Adjustable Shelves Can Be Set Straight or Angled
- Available with Solid Shelves or Hardwood Slatted Shelves
- 3" Locking Casters
- Variety of Materials/Finishes/Options

## APPLICATIONS

- Use as a Stand-Alone for Loose and Packaged Items or in an Island Setting



STYLE	ITEM #	SIZES W x D x H
LOW-PROFILE BAKERY ISLAND CENTER UNIT	C-ISL-C	36" X 45" X 48" 48" X 45" X 48"

## MATERIALS, FINISHES, FOAM, AND ACCESSORIES

Please refer to our "Styles, Groupings, Stains, and Accessories" brochure to see our wide range of materials, finishes, and accessories.