

# HIGH-WALL BAKERY SHELVING



HIGH-WALL SHELVING UNIT  
WITH ANGLED HARDWOOD SLATTED SHELVES



HIGH-WALL SHELVING UNIT  
SHOWN WITH ANGLED SOLID SHELVES



HIGH-WALL SHELVING UNIT SHOWN WITH ANGLED HARDWOOD SLATTED  
SHELVES AND OPTIONAL CRUSTY BREAD RACK



# HIGH-WALL BAKERY SHELVING

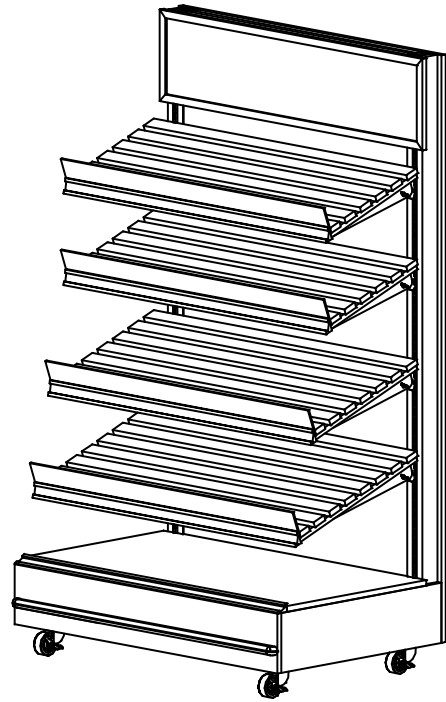
## DESCRIPTION

Our High Wall Bakery Shelving can be used as a department perimeter fixture, separating the production area from the sales floor, along a wall run, or along the back side of a shelving run. This fixture also can be used as an end cap.

## HIGH-WALL SHELVING UNIT SHOWN WITH ANGLED HARDWOOD SLATTED SHELVES WITH OPTIONAL BUMPER AND BACK PANEL

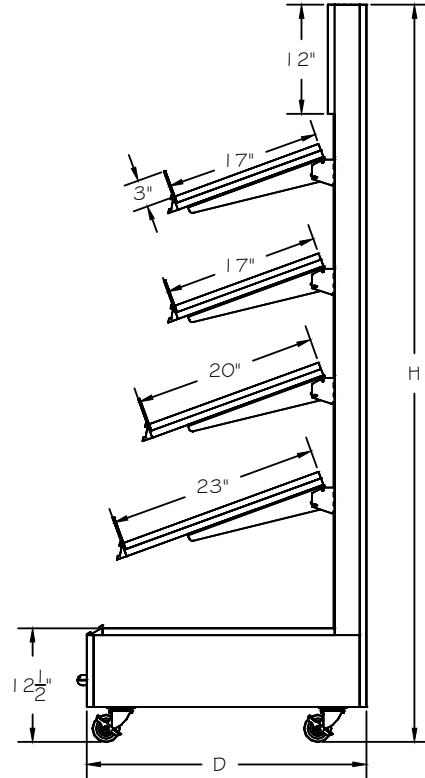
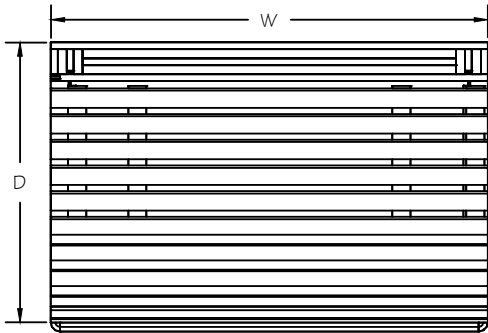
## FEATURES

- 4 Levels of Shelving for Bakery Items
- Available with Solid Shelves or Hardwood Slatted Shelves
- Plexi Product Stops on Shelves
- Fully Adjustable Shelves Can Be Angled or Straight
- Chalkboard Sign Holder
- 3" Casters for Mobility
- Variety of Colors/Options



## APPLICATIONS

- Use as a Stand-Alone or End Cap for Loose and Packaged Items
- Use in a Line-Up to Create a Bakery Wall



STYLE	ITEM #	SIZES W x D x H
HIGH-WALL BAKERY SHELVING	C-HWS	36" X 30" X 81" 48" X 30" X 81"

## MATERIALS, FINISHES, FOAM, AND ACCESSORIES

Please refer to our "Styles, Groupings, Stains, and Accessories" brochure to see our wide range of materials, finishes, and accessories.