

# BREAD RACK



BREAD RACK WITH ANGLED  
SLATTED SHELVES



BREAD RACK WITH STRAIGHT  
SLATTED SHELVES



BREAD RACK WITH ANGLED  
SOLID SHELVES



BREAD RACK WITH STRAIGHT  
SOLID SHELVES

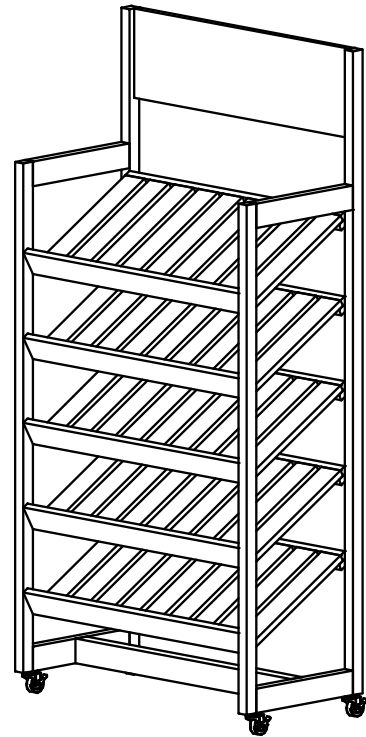


# BREAD RACK

## DESCRIPTION

Our versatile Bread Rack is available with slatted or solid shelves in an angled or straight position. Use it anywhere!

## BREAD RACK SHOWN WITH ANGLED HARDWOOD SLATTED SHELVES

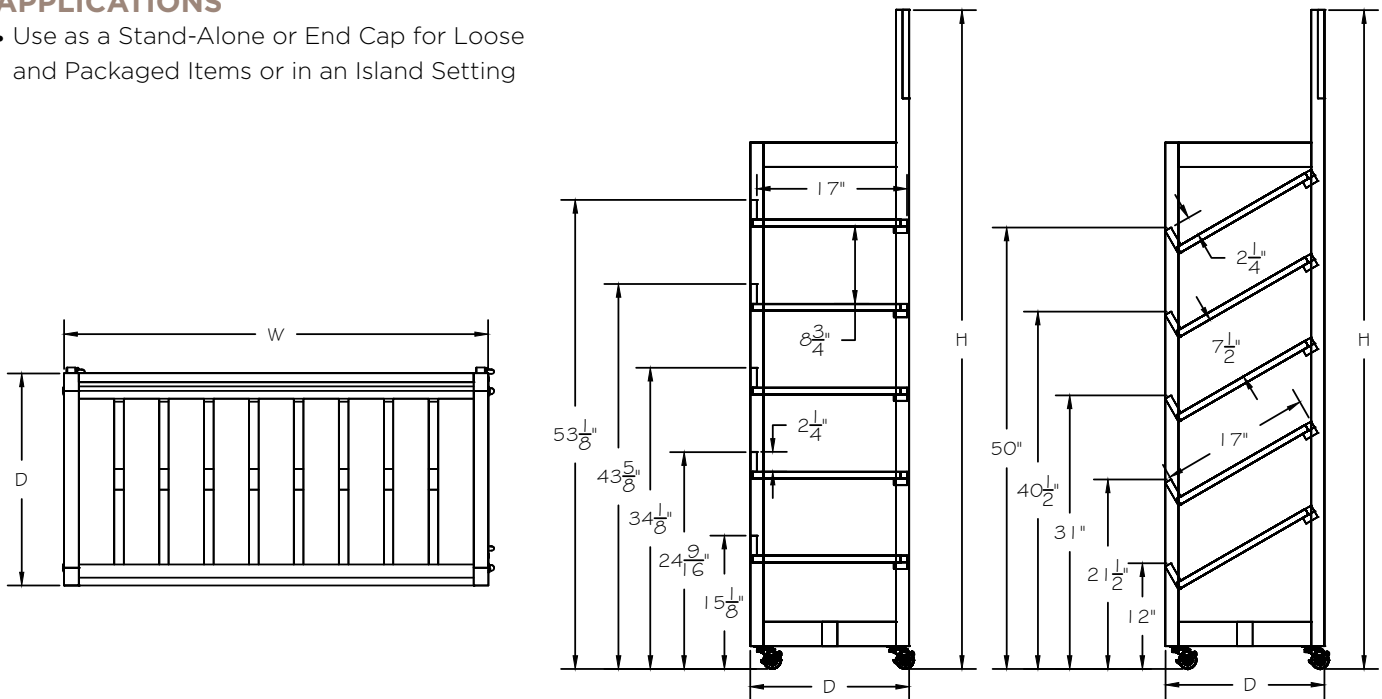


## FEATURES

- 5 Levels of Shelving for Bakery Items
- Large Area for Signs
- Available with Solid Shelves or Hardwood Slatted Shelves
- Available with Straight or Angled Shelves
- Variety of Materials/Finishes/Options

## APPLICATIONS

- Use as a Stand-Alone or End Cap for Loose and Packaged Items or in an Island Setting



STYLE	ITEM #	SIZES W x D x H
BREAD RACK	C-BR	24" X 18" X 72" 36" X 18" X 72"

## MATERIALS, FINISHES, FOAM, AND ACCESSORIES

Please refer to our "Styles, Groupings, Stains, and Accessories" brochure to see our wide range of materials, finishes, and accessories.