

BAKERY TABLE



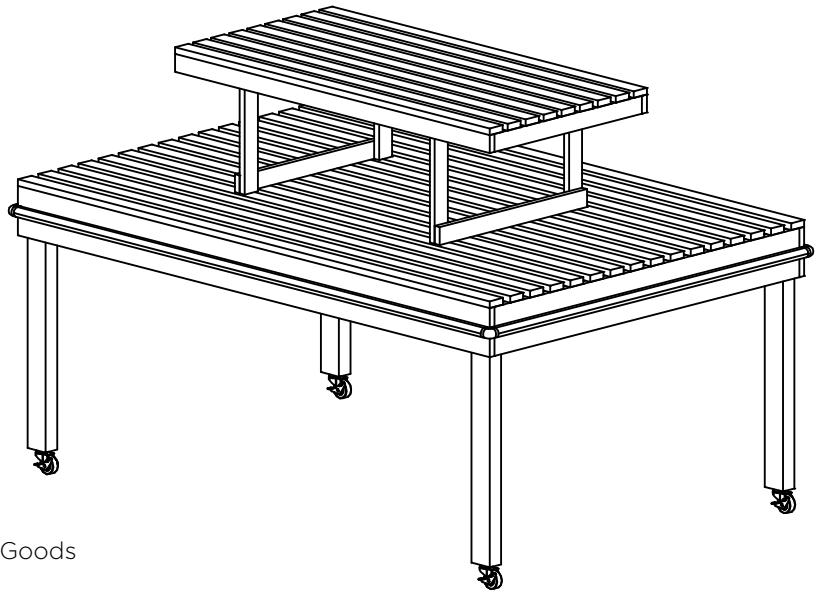
140 Park Street • Milo, Maine 04463 • 800.332.5507 TEL • 207.943.5632 FAX • JSISTOREFIXTURES.COM
Milo, Maine • Bangor, Maine • Suwanee, Georgia • Payson, Utah • Greenville, South Carolina • Collingwood, Ontario

BAKERY TABLE

DESCRIPTION

Our Bakery Table with slatted top is a simple and effective way to highlight different product categories in your bakery department. Several sizes are available to meet your needs.

72" X 48" X 33" H BAKERY TABLE SHOWN WITH OPTIONAL TOPPER AND 1" BUMPER

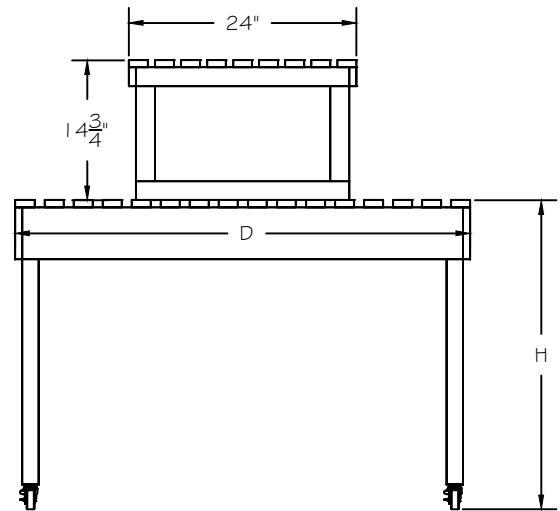
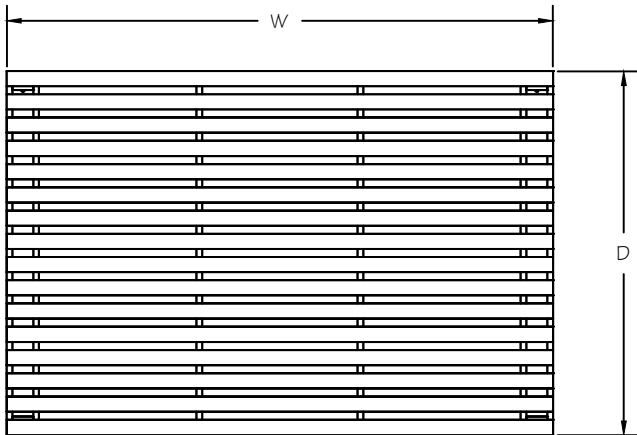


FEATURES

- Large Merchandising Area for Packaged Bakery Goods
- Sits on Casters for Mobility
- Variety of Colors/Options/Sizes

APPLICATIONS

- Use as a Stand-Alone Spot Merchandiser



STYLE	ITEM #	SIZES W x D x H
BAKERY TABLE	C-BT	60" X 36" X 33" 72" X 36" X 33" 96" X 36" X 33" 60" X 48" X 33" 72" X 48" X 33" 96" X 48" X 33"

MATERIALS, FINISHES, FOAM, AND ACCESSORIES

Please refer to our "Styles, Groupings, Stains, and Accessories" brochure to see our wide range of materials, finishes, and accessories.