

4-DOOR STANDARD BAKERY CASE



140 Park Street • Milo, Maine 04463 • 800.332.5507 TEL • 207.943.5632 FAX • JSISTOREFIXTURES.COM
Milo, Maine • Bangor, Maine • Suwanee, Georgia • Payson, Utah • Greenville, South Carolina • Collingwood, Ontario

4-DOOR STANDARD BAKERY CASE

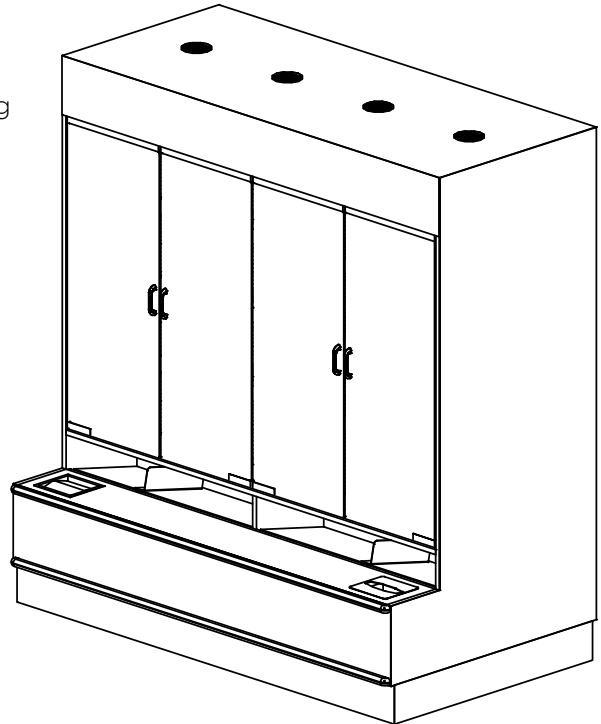
DESCRIPTION

Our Bakery Cases are built for presentation. The doors match standard tray widths allowing for easier merchandising and customer access. Standard LED lighting provides an energy-efficient, long-lasting lighted display. Our modular shelving design makes daily cleaning quick and easy.

4-DOOR STANDARD BAKERY CASE WITH OPTIONAL BUMPER

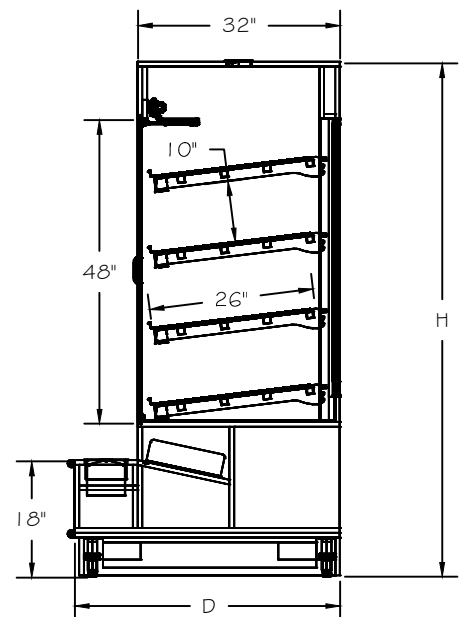
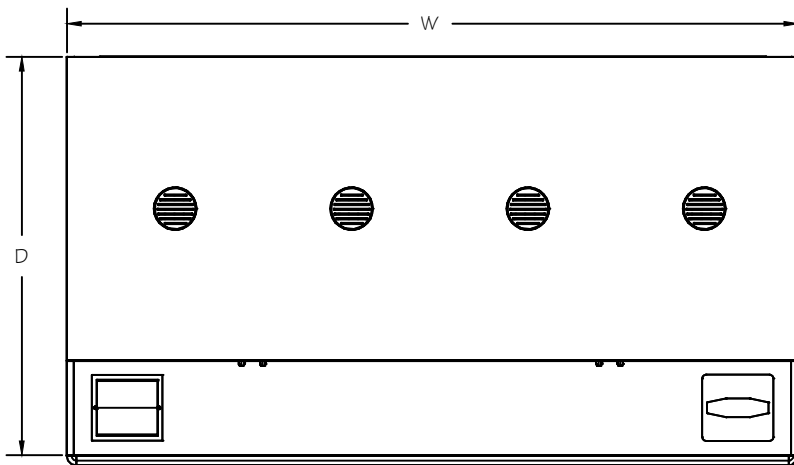
FEATURES

- 4 Adjustable Wire Shelves with PTM
- Capacity: (16) Standard 18"W X 26"D Pastry Trays
- Package Ledge with Bag/Box Storage and 2 Adjustable Dividers
- LED Lighting on 3 Shelves & Canopy
- Black Tissue Holder and Trash Receptacle
- Mirrored Plexi on Interior Side Panels
- Available with Solid Back Panel or Sliding Rear Doors
- Variety of Materials/Finishes/Options



APPLICATIONS

- Use as a Stand-Alone for Loose and Packaged Items or in an Island Setting



See our 2-door and 3-door specification sheets for alternate capacity needs.

STYLE	ITEM #	SIZES W x D x H
4-DOOR STANDARD BAKERY CASE	C-DC4-774281	77 ¹ / ₄ " X 42" X 81"

MATERIALS, FINISHES, FOAM, AND ACCESSORIES

Please refer to our "Styles, Groupings, Stains, and Accessories" brochure to see our wide range of materials, finishes, and accessories.