

4-DOOR SHALLOW BAKERY CASE

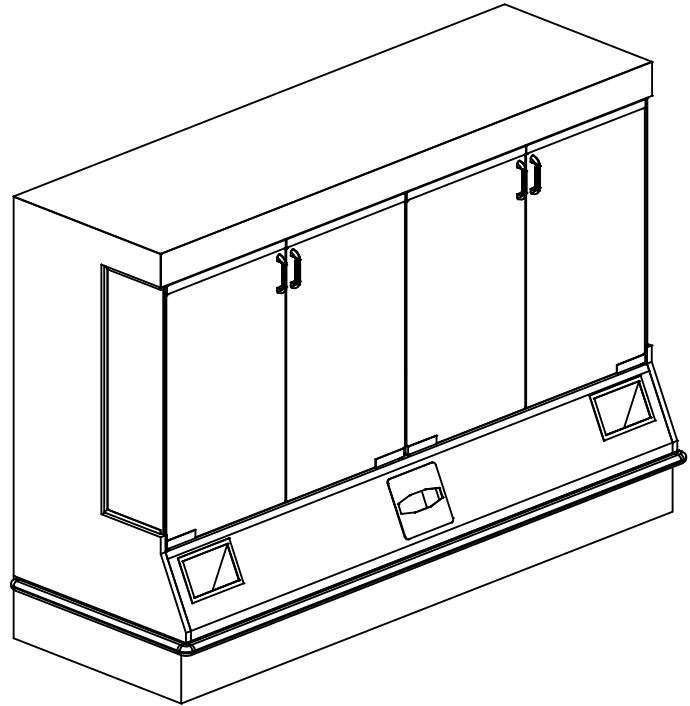


140 Park Street • Milo, Maine 04463 • 800.332.5507 TEL • 207.943.5632 FAX • JSISTOREFIXTURES.COM
Milo, Maine • Bangor, Maine • Suwanee, Georgia • Payson, Utah • Greenville, South Carolina • Collingwood, Ontario

4-DOOR SHALLOW BAKERY CASE

DESCRIPTION

Our 4-Door Shallow Bakery Case is ideal for a bakery with space constraints, in the cafe or in a C-Store. Designed with a shallower depth than our standard low profile case this display allows for a lot of product variety but with 1/2 the capacity.



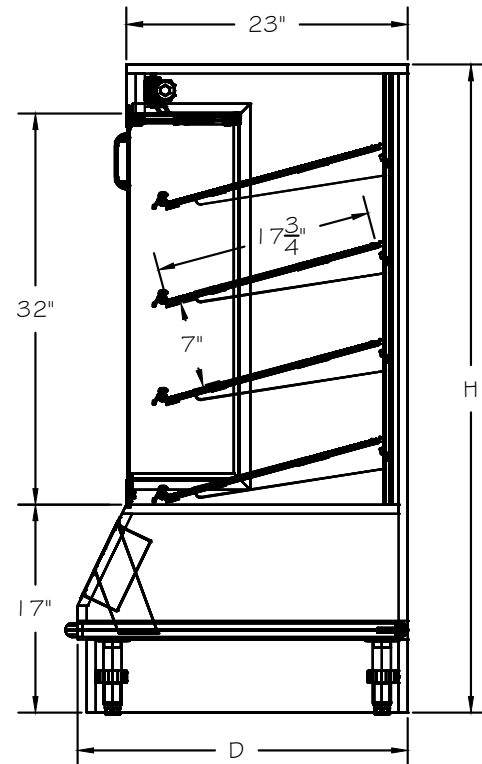
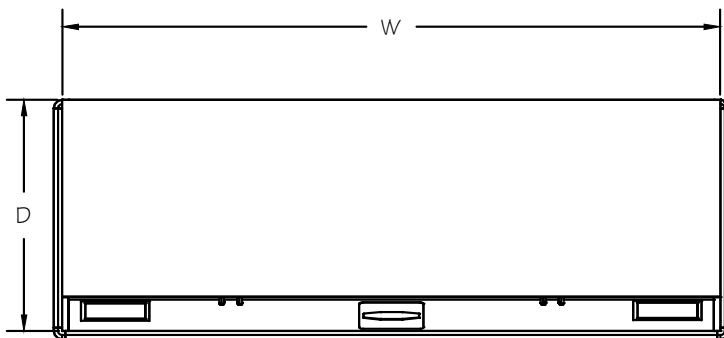
4 DOOR SHALLOW BAKERY CASE WITH OPTIONAL BUMPER

FEATURES

- 8 Adjustable Wire Shelves with PTM
- Capacity: (16) Standard 18"W X 13"D Pastry Trays
- Shelves Can Be Set Straight or Angled
- Each Level Holds 4 Standard 18"L X 13"D Half Pastry Trays
- LED Lighting on Top 3 Shelves
- Black Tissue Holder and Trash Receptacle
- Case has Solid Back
- Variety of Materials/Finishes/Options

APPLICATIONS

- Use as a Stand-Alone for Loose and Packaged Items or in an Island Setting



See our 2-door specification sheet for alternate capacity needs.

STYLE	ITEM #	SIZES W x D x H
4-DOOR SHALLOW BAKERY CASE	C-DC4-772754	77 ¹ / ₄ " X 27" X 54"

MATERIALS, FINISHES, FOAM, AND ACCESSORIES

Please refer to our "Styles, Groupings, Stains, and Accessories" brochure to see our wide range of materials, finishes, and accessories.