

# 2-DOOR SHALLOW BAKERY CASE

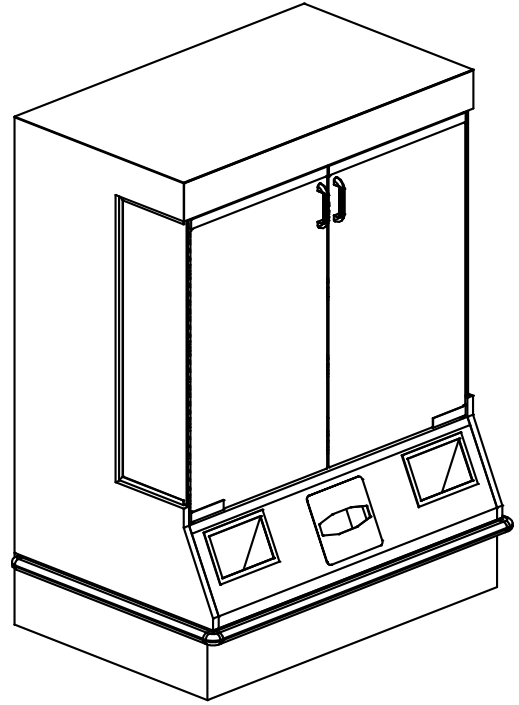


140 Park Street • Milo, Maine 04463 • 800.332.5507 TEL • 207.943.5632 FAX • [JSISTOREFIXTURES.COM](http://JSISTOREFIXTURES.COM)  
Milo, Maine • Bangor, Maine • Suwanee, Georgia • Payson, Utah • Greenville, South Carolina • Collingwood, Ontario

# 2-DOOR SHALLOW BAKERY CASE

## DESCRIPTION

Our 2-door Shallow Bakery Case is ideal for an end cap, in the cafe or in a C-Store. Designed with a shallower depth than our standard low profile case, this display allows for a lot of product variety, but with 1/2 the capacity.



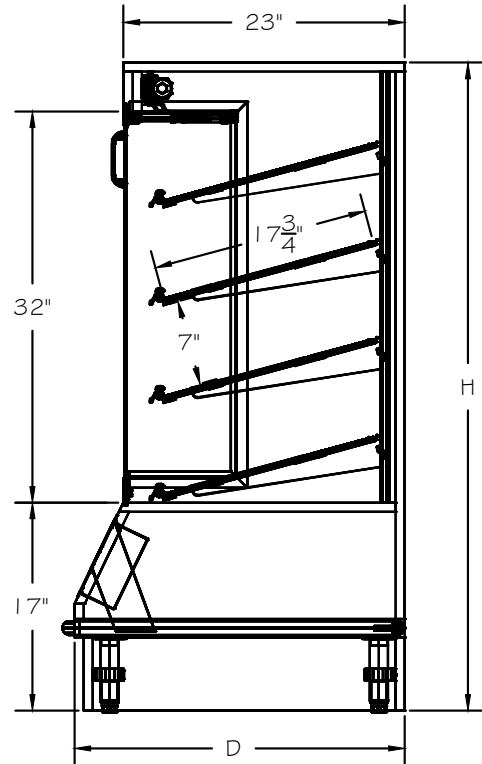
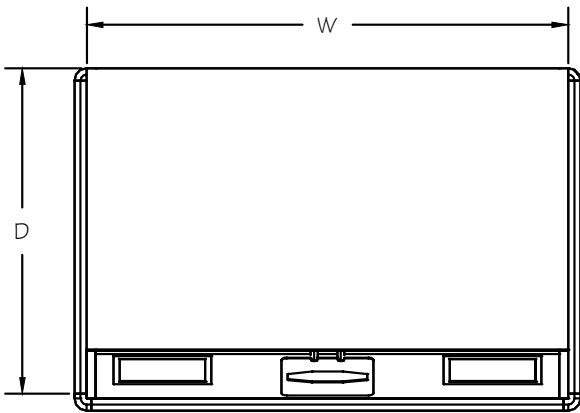
## 2-DOOR SHALLOW BAKERY CASE WITH OPTIONAL BUMPER

## FEATURES

- 4 Adjustable Wire Shelves with PTM
- Capacity: (8) Standard 18"W X 13"D Pastry Trays
- Shelves Can Be set Straight or Angled
- Each Level Holds 2 Standard 18"L X 13"D Half Pastry Trays
- LED Lighting on Top 3 Shelves
- Black Tissue Holder and Trash Receptacle
- Case has Solid Back
- Variety of Materials/Finishes/Options

## APPLICATIONS

- Use as a Stand-Alone for Loose and Packaged Items or in an Island Setting



See our 4-door specification sheet for alternate capacity needs.

STYLE	ITEM #	SIZES W x D x H
2-DOOR SHALLOW BAKERY CASE	C-DC2-402754	39 1/2" X 27" X 54"

## MATERIALS, FINISHES, FOAM, AND ACCESSORIES

Please refer to our "Styles, Groupings, Stains, and Accessories" brochure to see our wide range of materials, finishes, and accessories.