

4-WAY CONVERTIBLE TABLE



140 Park Street • Milo, Maine 04463 • 800.332.5507 TEL • 207.943.5632 FAX • JSISTOREFIXTURES.COM
Milo, Maine • Bangor, Maine • Suwanee, Georgia • Payson, Utah • Greenville, South Carolina • Collingwood, Ontario

4-WAY CONVERTIBLE TABLE

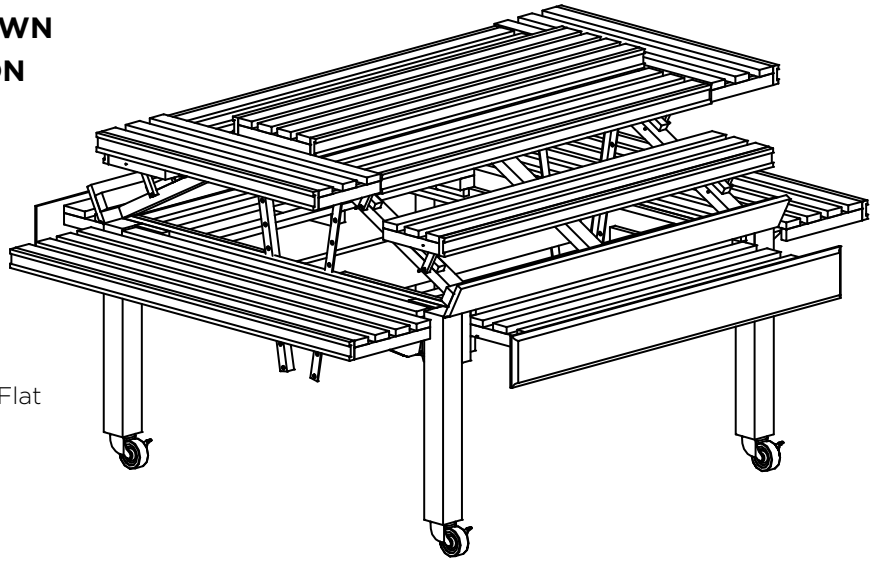
DESCRIPTION

JSI's 4-Way Convertible Table is ideal for creating a massive presentation, no matter what your sales volume is. The flip-up slide side shelves and pullout drawers allow this table to flex with your sales. Expands from 16 linear feet to 41 linear feet of merchandising space.

4-WAY CONVERTIBLE TABLE SHOWN WITH ALL SHELVES IN UP POSITION AND DRAWERS EXTENDED FOR FULL CAPACITY, 41 L/F

FEATURES

- 2 Pullout Shelves
- 2 Flip-Up Shelves on the Sides
- Multiple Levels of Merchandising Area
- Price Tag Molding on All Shelves
- 4-9" Deep Shelves and Topper Can Be Set Flat or Set to a Sloped Position for Maximum Merchandising Flexibility
- Locking Casters

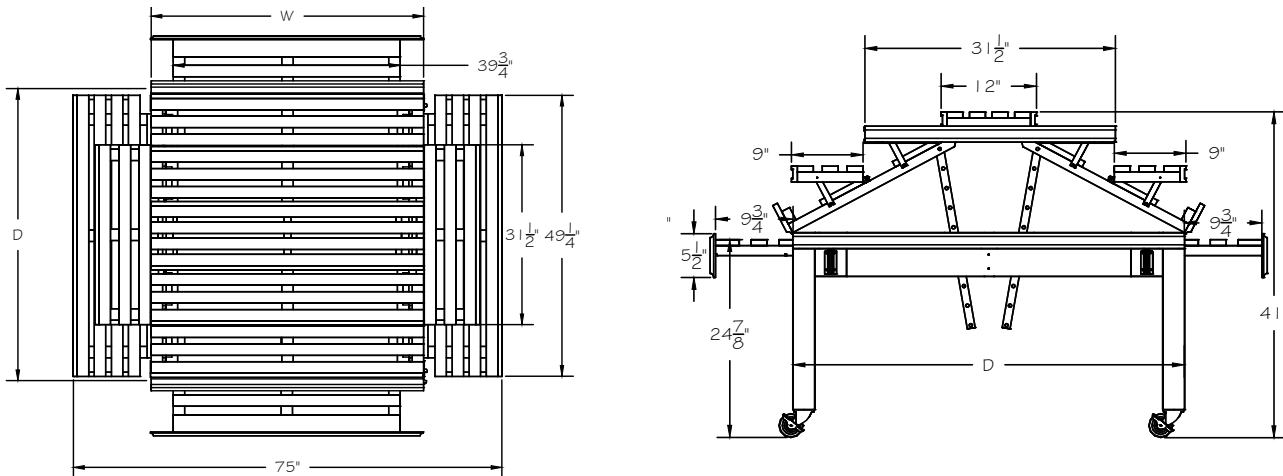


OPTIONS

- Variety of Materials / Stains / Options

APPLICATIONS

- Use with Packed Bakery
- Use as a Stand Alone Merchandiser



| STYLE | ITEM # | SIZES W x D x H |
|-------------------------|--------|-------------------|
| 4-WAY CONVERTIBLE TABLE | C-CT | 48" X 51" X 41" H |

Consult JSI Sales Associate for Available Glass Shields and Countertop Surfaces

MATERIALS, FINISHES, AND ACCESSORIES

Please refer to our "Stains and Accessories" brochure to see our wide range of materials, finishes, and accessories.