

SPILOVER BIN



SEBAGO STYLE



BAXTER STYLE



BRUNSWICK STYLE



SPILLOVER BIN

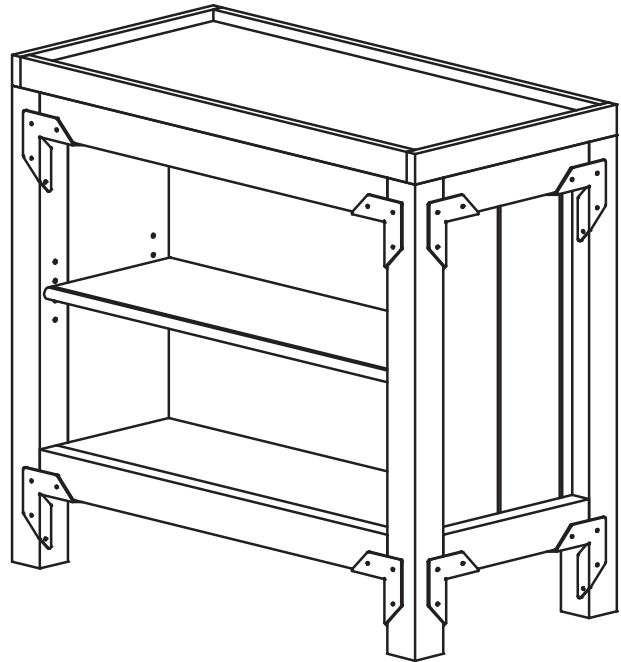
DESCRIPTION

JSI's Spillover Bins fit around our Orchard Bins, Slant Bins, and Refrigerated Bins in all styles. They are the final piece in building an exciting produce island grouping. They also work in front and next to Euro Tables.

ITEM SHOWN IN SEBAGO STYLE WITH OPTIONAL LOWER MERCHANDISING SHELVING AREA AND CORNER BRACKETS

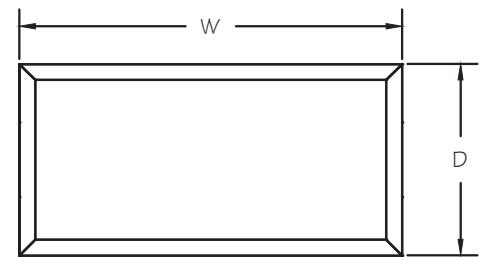
FEATURES

- 1/2" Antimicrobial Foam
- Large Merchandising Area for Produce
- Variety of Colors / Styles / Options

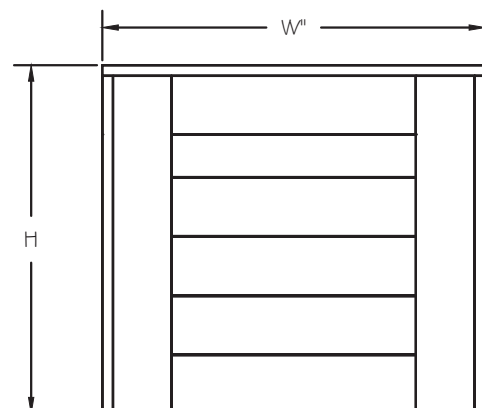


APPLICATIONS

- Use as a stand-alone or end cap for loose and packaged produce or in an island setting
- Incorporate with JSI refrigerated and non-refrigerated products



STYLE	ITEM #	LOWER SHELVING	SIZES W x D x H
SEBAGO	CSC-BD	-S	36" X 18" X 33" 36" X 18" X 25 3/4"
BAXTER	CBAX-BD	-S	
BRUNSWICK	CBC-BD	-S	



AVAILABLE FOAM FOR ORCHARD BINS

EXCLUSIVE JSI, CLOSED CELL, ANTIMICROBIAL FOAM

STYLE	ITEM #
1/2" Pad	F.5P
1" Pad	F.1P
Pocket Pad	F.PP
16" Filler Block	FFB16
23" Filler Block	FFB23

MATERIALS, FINISHES, FOAM, AND ACCESSORIES

Please refer to our "Styles, Groupings, Stains, and Accessories" brochure to see our wide range of materials, finishes, merchandising foam, and accessories.