

# SPICE RACK BIN DISPLAY



SEBAGO STYLE



BAXTER STYLE



BRUNSWICK STYLE

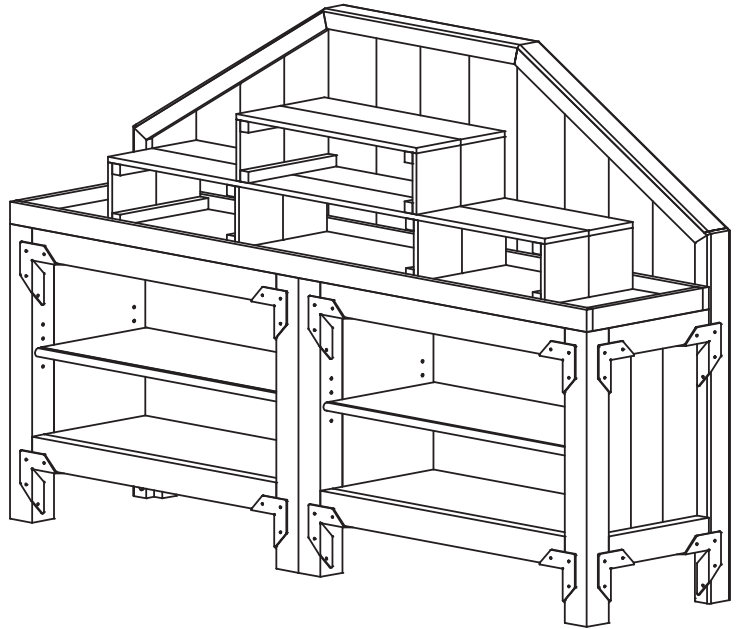


# SPICE RACK BIN DISPLAY

## DESCRIPTION

Our Spice Rack Bin Display is the perfect end cap for back-to-back Refrigerated or Dry Slant Bins. Can be used for spices or a variety of other packaged merchandise.

## ITEM SHOWN IN SEBAGO STYLE WITH OPTIONAL LOWER FRONT MERCHANDISING SHELVES AND CORNER BRACKETS

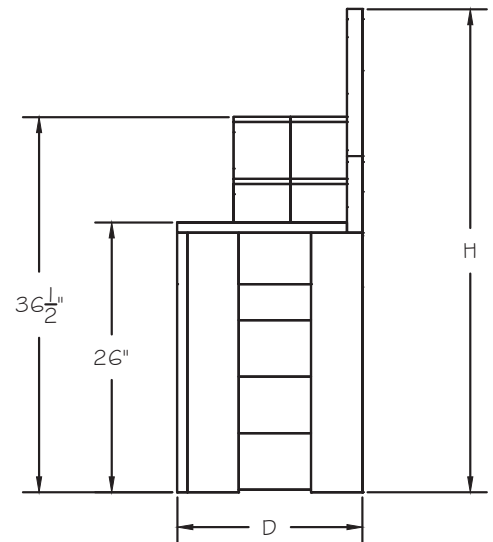
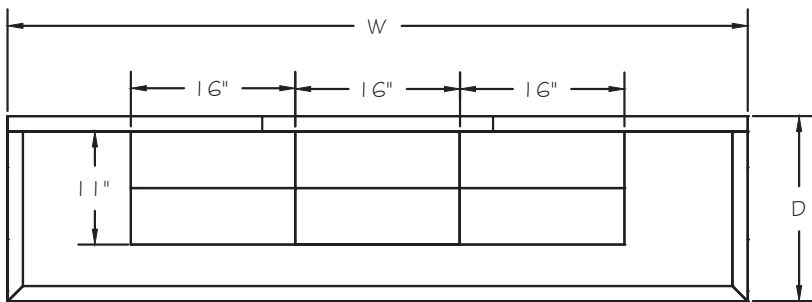


## FEATURES

- 3 Levels of Merchandising Area for Produce
- 2-Tier Wooden Riser
- Variety of Colors / Styles / Options

## APPLICATIONS

- Use as an end cap for loose and packaged items or in an island setting
- Incorporate with JSI refrigerated and non-refrigerated products
- Available with lower front merchandising shelf area



STYLE	ITEM #	LOWER SHELVING	SIZES W x D x H
SEBAGO	CSC-SR	-S	72" X 18" X 47"
BAXTER	CBAX-SR	-S	
BRUNSWICK	CBC-SR	-S	

## MATERIALS, FINISHES, FOAM, AND ACCESSORIES

Please refer to our "Styles, Groupings, Stains, and Accessories" brochure to see our wide range of materials, finishes, merchandising foam, and accessories.