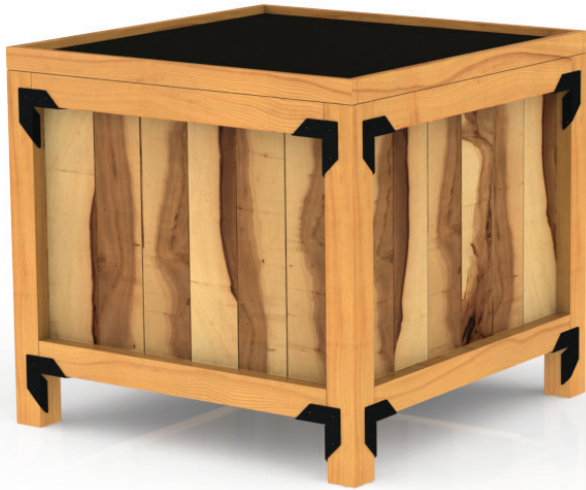


ORCHARD BIN



SEBAGO STYLE



BAXTER STYLE



BRUNSWICK STYLE

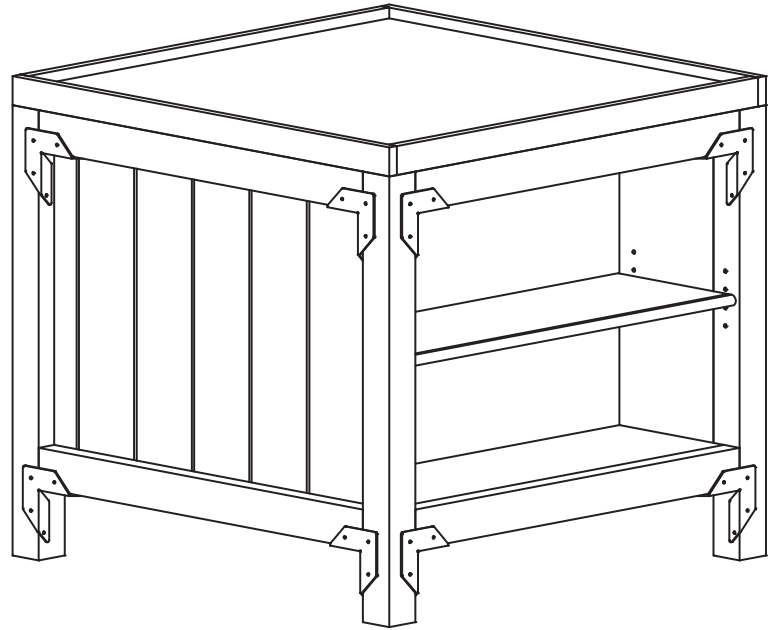


ORCHARD BIN

DESCRIPTION

Our Orchard Bin makes it easy to keep produce displays interesting, exciting, and fresh. A variety of elevations, accessories, and foam gives produce a fresh, massive look with less product on display.

ITEM SHOWN IN SEBAGO STYLE WITH OPTIONAL LOWER FRONT MERCHANDISING SHELVES AND CORNER BRACKETS

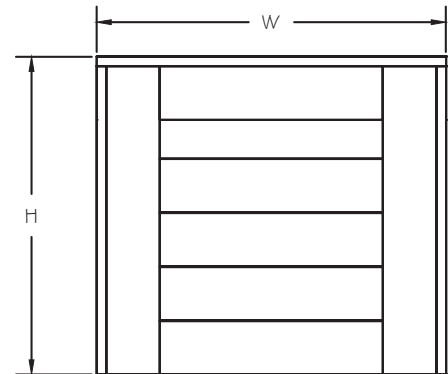
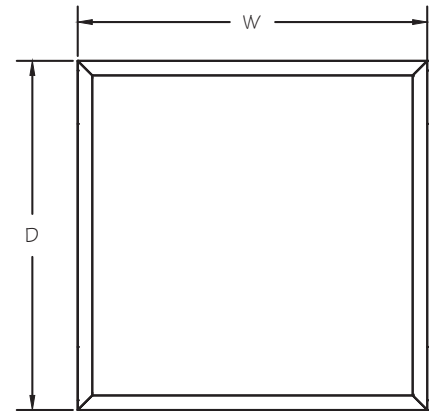


FEATURES

- 1/2" Antimicrobial Foam
- Large Merchandising Area for Produce
- Variety of Colors / Styles / Options

APPLICATIONS

- Use as a stand-alone or end cap for loose and packaged produce or in an island setting
- Incorporate with JSI refrigerated and non-refrigerated products
- Available with lower front merchandising shelf area



STYLE	ITEM #	LOWER SHELVING	SIZES W x D x H
SEBAGO	CSC-BD	-S	36" X 24" X 33" 36" X 24" X 25 3/4"
BAXTER	CBAX-BD	-S	36" X 36" X 33" 36" X 36" X 25 3/4"
BRUNSWICK	CBC-BD	-S	48" X 48" X 33" 48" X 48" X 25 3/4"

AVAILABLE FOAM FOR ORCHARD BINS	
EXCLUSIVE JSI, CLOSED CELL, ANTIMICROBIAL FOAM	
STYLE	ITEM #
1/2" Pad	F.5P
1" Pad	F1P
Pocket Pad	FPP
16" Filler Block	FFB16
23" Filler Block	FFB23

MATERIALS, FINISHES, FOAM, AND ACCESSORIES

Please refer to our "Styles, Groupings, Stains, and Accessories" brochure to see our wide range of materials, finishes, merchandising foam, and accessories.