

LED GEN3 PARKING GARAGE LIGHT (XPG3)



DOE LIGHTING FACTS

Department of Energy has verified representative product test data and results in accordance with its Lighting Facts Program. Visit www.lightingfacts.com for specific catalog strings.

LIGHT OUTPUT - XPG3					
		# of LEDs	Lumens (Nominal)		Watts
			Type 5	Type S	
Cool White	350 mA	50	4718	6187	56
	450 mA	50	5743	7606	73
	550 mA	50	6656	8952	90
Neutral White	350 mA	50	4245	5998	56
		68	5695	7051	75
	450 mA	50	5137	7313	73
		68	6919	8584	98
	550 mA	50	5950	8456	90
		68	7875	9880	125

LED Chips are frequently updated therefore values may increase.

US patent D603081 & D611188 & 7828456 and US & Int'l. patents pending

SMARTTEC™ ENERGY SAVING FEATURES:

THERMAL CONTROL -LSI drivers feature integral sensor which reduces drive current, when ambient temperatures exceed rated temperature.

OCCUPANCY SENSING (IMS) - Optional internal passive infrared motion sensor activated switching of luminaire light levels. High level light is activated when automobile or passerby enters sensor target zone. High light level is increased to full bright in 1-2 seconds upon detection. Low light level (30% of maximum drive current) is activated when target zone is absent of motion activity for ~ 2 minutes. Upon inactivity, light level is gradually ramped down (10-15 sec.) to low level to allow eyes time to adjust. Two sensor detection optics are available. The wide optic has a coverage range of 40 feet diameter at mounting heights of 8 feet to 12 feet. The narrow optic has a coverage range of 20 feet diameter at a mounting height of 8 feet to 12 feet.

DIMMING (DIM) - Optional 0-10 volt dimming enabled, with controls.

BI-LEVEL SWITCHING (BLS) - Optional bi-level switching responds to external line voltage signal from separate controller or sensor, with low light level decreased to 30% maximum drive current.

EXPECTED LIFE - Minimum 60,000 hours to 100,000 hours depending upon the ambient temperature of the installation location. See LSI web site for specific guidance.

LEDS - Two LED array choices; 50 and 68 (Limited to Neutral White only). Each feature high-brightness LEDs in Cool White (5000K) or Neutral White (4000K) color temperature, 70 CRI.

DRIVER CURRENT OPTIONS - Available in 350mA, 450mA or 550mA drive currents.

DISTRIBUTION/PERFORMANCE - Ultra-high efficiency reflectors provide solid performance for typical spacings and heights, exceptional uniformity with vertical illumination and full cutoff. Ideal when maximum spacing is desired without sacrificing desired lumen levels. Meets RP20 recommendations while delivering unique control of distribution to minimize glare. Optional diffused lens available to reduce visibility of diodes.

HOUSING/OPTICAL UNIT - The XPG3 features a slim 7-1/8" profile. Housing is die-formed aluminum with a gasketed clear flat tempered glass lens providing a water-resistant seal. Weather-tight aluminum enclosure contains factory prewired driver to ensure no water entry and to eliminate need to open fixture completely. Optical unit is IP67 rated.

MOUNTING - Not intended for recessed mounting in enclosed ceilings. Standard mounting is rigid 3/4" pendant mount or direct surface mount to 4" (102mm) octagon box (box by others). Pendant and direct mount standard with 48" leads and 8" leads respectively. Direct mount features standard quick mount plate with elongated key hole slots to allow alignment of fixtures.

ELECTRICAL - Universal voltage power supply (120-277 VAC, 50/60 Hz). Two-stage surge protection (including separate surge protection built into electronic driver) meets IEEE C62.41.2-2002, Scenario 1, Location Category C. Emergency LED battery back-up/driver operates 10 LEDs for a minimum of 90 minutes when primary AC power failure occurs.

DRIVER - Proprietary, state-of-the-art SmartTec driver technology designed specifically for LSI LED light sources provides unsurpassed system efficiency. Driver will operate with input of 120V thru 277V (50/60 Hz). LSI components are fully encased in potting material for IP65 moisture resistance. Driver complies with IEC and FCC standards.

OPERATING TEMPERATURE - -40°C to +50°C (-40°F to +122°F).

FINISH - Fixtures are finished with LSI's DuraGrip® polyester powder coat finishing process. The DuraGrip finish withstands extreme weather changes without cracking or peeling.

WARRANTY - Limited 5-year warranty.

PHOTOMETRICS - Please visit our web site at www.lsi-industries.com for detailed photometric data.

SHIPPING WEIGHT - Standard fixture 21 lbs. (9.5 kg). Fixtures with battery back-up 28 lbs. (13 kg)

LISTING - ETL listed to U.S. and International safety standards. Suitable for wet locations. For a list of the specific products in this series that are DLC listed, please consult the LED Lighting section of our website or the Design Lights website at www.designlights.org.

This product, or selected versions of this product, meet the standards listed below. Please consult factory for your specific requirements.



IP65
IP67



Project Name _____ Fixture Type _____
Catalog # _____

09/19/18
© 2018
LSI INDUSTRIES INC.

LED GEN3 PARKING GARAGE LIGHT (XPG3)

LUMINAIRE ORDERING INFORMATION

TYPICAL ORDER EXAMPLE: **XPG3P 5W LED 68 450 CW UE WHT DIM**

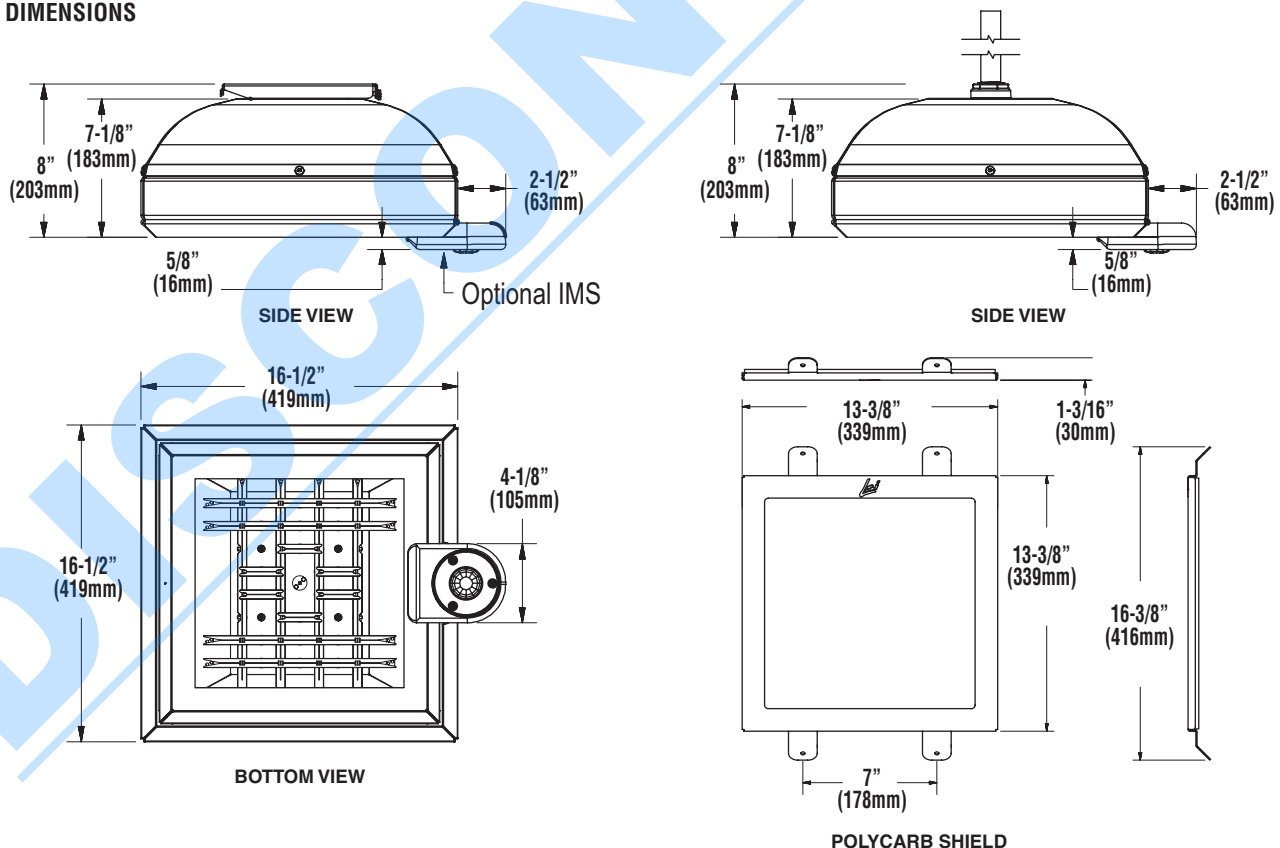
Prefix	Distribution	Light Source	# of LEDs	Drive Current	Color Temperature	Input Voltage	Finish	Optional Controls	Optional Sensors/Options
XPG3D Direct Mount	5W - Type 5 Wide S - Symmetric	LED	50 68	350 - 350mA 450 - 450mA 550 - 550mA	CW - Cool White (5000K) ¹² NW - Neutral White (4000K)	UE - Universal Electronic (120-277)	WHT - White BLK - Black MSV - Metallic Silver	Wireless Control System ^{2,3} (blank) - None PCM - Platinum Control System PCM-H - Host / Satellite Platinum Control System GCM - Gold Control System GCM-H - Host / Satellite Gold Control System ⁴ DIM - 0-10V dimming (required for satellite fixtures) Stand-Alone Control (blank) - None DIM ⁵ - 0-10V Dimming (from external signal) BLS ⁶ - Bi-level Switching (from external signal - required 120-277v controls system voltage)	Sensor IMS - Integral Motion Sensor ^{7,8} Options BB - Battery Backup ⁹ CWBB - Cold Weather BB ⁹ DFL - Diffused Lens ¹⁰
XPG3P ¹ Pendant Mount						347 - 347 volt 480 - 480 volt			

ACCESSORY ORDERING INFORMATION		(Accessories are field installed)	
Description	Order Number	Description	Order Number
XPG3 Bird Guard	XPG3 BG	RPSB120 - WL Remote Box with 120V External Photocell	C/F ¹¹
Polycarb Shield	XPG PCS ⁸	RPSB208-277 - WL Remote Box with 208-277V External Photocell	C/F ¹¹
ROSB120 - WL Remote Box with 120V Occupancy Sensor	C/F ¹¹		
ROSB277 - WL Remote Box with 277V Occupancy Sensor	C/F ¹¹		

FOOTNOTES:

- Pendant stems must be ordered separately; specify length.
- For wireless controls information and accessories, see Controls section.
- Requires a SiteManager and override switch. Not compatible with BLS or IMS option.
- Consult factory for available configurations.
- Not compatible with IMS or BLS option.
- Not compatible with wireless controls system, DIM or IMS option.
- Not compatible with wireless controls system, DIM or BLS option.
- Polycarbonate Shield not available with IMS
- Battery Backup & cold weather battery backup available in UE only. Not available with PCM or GCM wireless controls.
- Diffused lens reduces light output. Consult factory.
- Includes PCM or GCM. To be used in conjunction with PCM or GCM options in the fixture. Consult factory.
- Limited to 50 LED version only.

DIMENSIONS



Project Name _____ Fixture Type _____
 Catalog # _____