

# LED HIGH BAY (XHB3) 128

LED High Bay (XHB3) is being replaced with the new and improved Alliance High Bay (ALI)



## DOE LIGHTING FACTS

Department of Energy has verified representative product test data and results in accordance with its Lighting Facts Program. Visit [www.lightingfacts.com](http://www.lightingfacts.com) for specific catalog strings.

LIGHT OUTPUT - XHB3 128					
		# of LEDs	Lumens (Nominal)		Watts
			S	AL	
Cool White	350 mA	128	16497	15849	145
	450 mA	128	19073	19298	192
Neutral White	350 mA	128	14131	14453	145
	450 mA	128	17021	17741	192

LED Chips are frequently updated therefore values may increase.

SHIPPING WEIGHTS - XHB3		
UE	347	480
25.6	30.2	30.2

US patent 7,828,456 and US & Int'l. patents pending

## SMARTTEC™ ENERGY SAVING FEATURES:

**THERMAL CONTROL** - Sensors in the driver enclosure and optical unit reduce drive current when elevated ambient temperatures increase LED temperatures above design limits.

**INTEGRAL MOTION SENSOR (IMS)** - Choice of 2 optional internal passive infrared motion sensor activated switching of luminaire light levels, either 0 or 30% of power. High level light is activated when activity is sensed in target zone. High light level is increased to full bright in 1-2 seconds upon detection. Low light level (0 or 30% of power) is activated when target zone is absent of motion activity for ~ 2 minutes. Upon inactivity, light level is gradually ramped down (10-15 sec.) to low level to allow eyes time to adjust.

**DIMMING (DIM)** - Optional 0-10 volt dimming enabled, with controls by others.

**BI-LEVEL SWITCHING (BLS)** - Optional bi-level switching responds to external line voltage signal from separate controller or sensor (by others), with low light level decreased to 30% maximum drive current.

**EXPECTED LIFE** - Up to 100,000 hours. See LSI web site for specific guidance.

**LEDS** - An array with 128 LEDs, which feature select high-brightness LEDs in Cool White (5000K) or Neutral White (4000K) color temperature, 70 CRI.

**DRIVE CURRENT** - Available in 350mA and 450 mA.

**DISTRIBUTION/PERFORMANCE** - Symmetric or asymmetric distribution – high efficiency reflectors provide exceptional uniformity and vertical illumination without glare. Optional diffused lens available to reduce visibility of diodes.

**HOUSING** - Housing is die-formed aluminum. Designed to resist birds and accumulation of dust and debris. Access panel provides one-screw access to driver and wiring connections.

**OPTICAL UNIT** - Featuring an ultra-slim 1" profile, housing is die-formed aluminum with a clear tempered glass lens. Unit is water-resistant, sealed to an IP67 rating. Patented integral single blade heat sink does not trap dirt and grime, ensuring cool running performance over the life of the fixture.

**THE INDUSTRY'S ONLY BREATHABLE SEAL** - Teflon® breather allows super-tight IP67 protection while preventing temperature cycling from building up internal pressures and vacuums that can stress optical unit seals and components.

**MOUNTING** - HoK and 6' cord (plug not included) or 3/4" pendant mount are available. Fixture weight less than 30 lbs.

**ELECTRICAL** - Available with universal voltage power supply (120-277 VAC, 50/60 Hz input), 347 VAC and 480 VAC. Two-stage surge protection (including separate surge protection built into electronic driver) meets IEEE C62.41.2-2002, Scenario 1, Location Category C.

**DRIVER** - Proprietary, state-of-the-art SmartTec™ driver technology provides unsurpassed system efficiency, control and protection. LSI components are fully encased in potting for IP65 moisture resistance. Complies with IEC and FCC standards.

**OPERATING TEMPERATURE** - -40°C to +40°C (-40°F to 104°F).

**FINISH** - Standard color is white. Finished with LSI's DuraGrip® polyester powder coat process.

**WARRANTY** - Limited 5-year warranty.

**LISTING** - ETL listed to UL1598, UL8750 and other U.S. and international safety standards. Suitable for damp locations. For a list of the specific products in this series that are DLC listed, please consult the LED Lighting section of our website or the Design Lights website at [www.designlights.org](http://www.designlights.org).

**PHOTOMETRICS** - Application layouts are available upon request. Contact [lighting.apps@lsi-industries.com](mailto:lighting.apps@lsi-industries.com).

This product, or selected versions of this product, meet the standards listed below. Please consult factory for your specific requirements.



Project Name \_\_\_\_\_ Fixture Type \_\_\_\_\_  
 Catalog # \_\_\_\_\_

10/09/15

© 2015

LSI INDUSTRIES INC.

# LED HIGH BAY (XHB3) 128

## LUMINAIRE ORDERING INFORMATION

TYPICAL ORDER EXAMPLE: **XHB3 S LED 128 450 CW UE HM6 WHT**

Prefix	Distribution	Light Source	# of LEDs	Drive Current	Color Temperature	Input Voltage	Mounting	Finish	Optional Controls	Sensor/Options
XHB3	S - Type S Symmetric AL - Asymmetric	LED	128	350 - 350mA 450 - 450mA	CW - Cool White (5000K) NW - Neutral White (4000K)	UE - Universal Voltage (120-277V) 347-480 - Univ. Voltage (347-480V)	HM6 - Hook and 6' Cord PM - Pendant Mount (3/4")	WHT - White	<b>Virtinet Wireless Network</b> (requires a Ventura controller/Malibu link) (blank) - None VCM - Standard (revenue grade) VCMH - Standard (Host) DIM - 0-10 volt dimming (required for satellite fixtures)  <b>Stand-Alone Control</b> (blank) - None DIM <sup>1</sup> - 0-10V Dimming (from external signal) BLS <sup>1</sup> - Bi-level Switching (from external signal)	<b>Sensor</b> ES <sup>2</sup> - External Sensor IMS0 <sup>3</sup> - Integral Motion Sensor (Turns Off) IMS30 <sup>3</sup> - Integral Motion Sensor (Dims to 30%)  <b>Options</b> DFL - Diffused Lens <sup>4</sup>

### ACCESSORY ORDERING INFORMATION

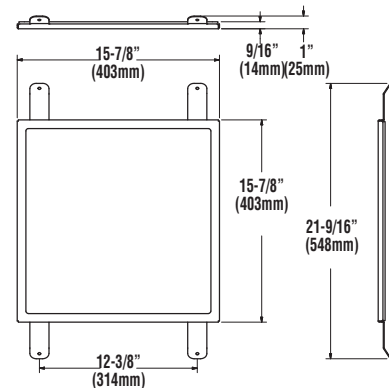
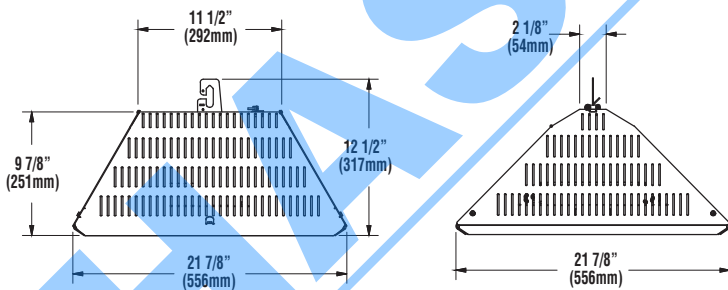
(Accessories are field installed)

Description	Order Number	Description	Order Number
Cast Mounting Hook	EM0182 <sup>5</sup>	ROSB120 - WL Remote Box with 120V Occupancy Sensor	C/F <sup>6</sup>
XHB3 Polycarb Shield 128 Kit	495844	ROSB277 - WL Remote Box with 277V Occupancy Sensor	C/F <sup>6</sup>
XHB3 Wire Guard 128 Kit	507510	RPSB120 - WL Remote Box with 120V External Photocell	C/F <sup>6</sup>
		RPSB208-277 - WL Remote Box with 208-277V External Photocell	C/F <sup>6</sup>

#### FOOTNOTES:

- 1 - DIM and BLS cannot be ordered together.
- 2 - Do not specify for satellite units.
- 3 - Not compatible with Virtinet wireless systems
- 4 - Diffused lens reduces light output. Consult factory.
- 5 - Cast mounting hook compatible with pendant option only. Must be ordered separately.
- 6 - Includes VCM. To be used in conjunction with VCM options in fixture. Consult factory.

### DIMENSIONS



POLYCARB SHIELD



Cast Mounting Hook



Project Name \_\_\_\_\_ Fixture Type \_\_\_\_\_  
 Catalog # \_\_\_\_\_

10/09/15  
 © 2015  
 LSI INDUSTRIES INC.