



Steel Poles

Square Straight



QUICK LINKS

FEATURES & SPECIFICATIONS

Pole Shaft

- Straight poles are 4", 5", or 6" square.
- Pole shaft is electro-welded ASTM-A500 Grade C steel tubing with a minimum yield strength of 50,000 psi.
- On Tenon Mount steel poles, tenon is 2-3/8" O.D. high-strength pipe. Tenon is 4-3/4" in length.

Hand-Hole

- Standard hand-hole location is 12" above pole base.
- Poles 22' and above have a 3" x 6" reinforced hand-hole. Shorter poles have a 2" x 4" non-reinforced hand-hole.

Base

- Pole base is ASTM-A36 hot-rolled steel plate with a minimum yield strength of 36,000 psi.
- Two-piece square base cover is optional.

Anchor Bolts

- Poles are furnished with anchor bolts featuring zinc-plated double nuts and washers. Galvanized anchor bolts are optional.
- Anchor Bolts conform to ASTM F 1554-07a Grade 55 with a minimum yield strength of 55,000 PSI.

Ground Lug

- Ground lug is standard.

Duplex Receptacle

- Weatherproof duplex receptacle is optional.

Ground Fault Circuit Interrupter

- Self-testing Ground fault circuit interrupter is optional.

Finishes

- Every pole is provided with the DuraGrip Protection System and a 5-year limited warranty:
- When the top-of-the line DuraGrip Plus Protection System is selected, in addition to the DuraGrip Protection System, a non-porous, automotive-grade corrosion coating is applied to the lower portion of the pole interior sealing and further protecting it from corrosion. This option extends the limited warranty to 7 years.

Determining The Luminaire/Pole Combination For Your Application:

- Select luminaire from luminaire ordering information.
- Select bracket configuration if required
- Determine EPA value from luminaire/bracket EPA chart

- Select Pole Height
- Select MPH to match wind speed in the application area (See windspeed maps).
- Confirm pole EPA equal to or exceeding value of luminaire/bracket EPA
- Consult factory for special wind load requirements and banner brackets.

Pole Vibration Damper

- A pole vibration damper is recommended in open terrain areas of the country where low steady state winds are common.
- Non-tapered poles and lightly loaded poles are more susceptible to destructive vibration if a damper is not installed.

Listings

- UL Listed
- BAA/TAA Compliant

ORDERING GUIDE

TYPICAL ORDER EXAMPLE: 4SQ B3 S11G 24 S PLP DGP						
Pole Series	Mounting Method	Material	Height ²	Mounting Configuration	Pole Finish	Options
4SQ - 4" x 4" Square Straight Pole (New Build)	Bolt-On Mount ¹ - See pole selection guide for patterns and fixture matches	S11G - 11 Ga. Steel (4SQ/4SQU and 5SQ/5SQU Only)	8'	S - Single/Parallel	BRZ - Bronze	GA - Galvanized Anchor Bolts
5SQ - 5" x 5" Square Straight Pole (New Build)			10'			
6SQ - 6" x 6" Square Straight Pole (New Build)	B5 - 5" Traditional Drilling Pattern	S07G - 07 Ga. Steel	12'	D180 - Double	BLK - Black	SF - Single Flood ³
4SQU - 4" x 4" Square Straight Pole (Retrofit)			13'			
5SQU - 5" x 5" Square Straight Pole (Retrofit)	B3 - 3" Reduced Drilling Pattern	S07G - 07 Ga. Steel	14'	D90 - Double	PLP - Platinum Plus	DF - Double Flood ³
6SQU - 6" x 6" Square Straight Pole (Retrofit)			15'			
	B2 - 2" Reduced Drilling Pattern	S07G - 07 Ga. Steel	16'	DN90 - Double	WHT - White	DGP - DuraGrip [®] Plus
			17'			
	T - Tenon Mount - See pole selection guide for tenon and fixture/bracket matches	S07G - 07 Ga. Steel	17'6"	T90 - Triple	SVG - Satin Verde Green	LAB - Less Anchor Bolts
			18'			
			20'			
			22'			
			22'6"			
			23'			
			24'			
			25'			
			26'			
			27'			
	28'					
	30'					
	32'					
	35'					
	39'					
	I - No Mounting Holes ⁴	S07G - 07 Ga. Steel	18'	TN120 - Triple	GPT - Graphite	CRXX - Conduit Raceway ⁴
			20'			
			22'			
			22'6"			
			23'			
			24'			
			25'			
			26'			
			27'			
			28'			
	30'					
	32'					
	35'					
	39'					



Need more information?
[Click here for our glossary.](#)

Have additional questions?
 Call us at (800) 436-7800



ACCESSORY ORDERING INFORMATION

Part Number	Description
122559CLR	4BC - 4" Square Base Cover
122561CLR	5BC - 5" Square Base Cover
122563CLR	6BC - 6" Square Base Cover
132488CLR	5BC - 5' Square Universal Base Cover
131252CLR	6BC - 6' Square Universal Base Cover
122566CLR	ER2 - Weatherproof Duplex Receptacle
122567CLR	GFI - Ground Fault Circuit Interrupter
132336	MH5 - mounting Hole Plugs for use with 5" traditional drill pattern (3 set of 3 plugs)
681126	MH3 - mounting Hole Plugs for use with 3" reduced drill pattern (3 set of 3 plugs)
725841	MH2 - Mounting Hole Plugs for use with 2" reduced drill pattern (3 sets of 3 plugs)
172539	Vibration Damper - 4" Square Pole (bolt-on mount only)
172538	Vibration Damper - 5" Square Pole (bolt-on mount only)
178361	Vibration Damper - 6" Square Pole (bolt-on mount only)

ANCHOR BOLT KIT ORDERING INFORMATION

Part Number	Description
AB KIT 122584	4SQ S11G/S07G Anchor Bolts (Steel Plated)
AB KIT 122609	4SQ S11G/S07G Anchor Bolts (Galvanized)
AB KIT 1225850	5SQ S11G Anchor Bolts (Steel Plated)
AB KIT 122610	5SQ S11G Anchor Bolts (Galvanized)
AB KIT 122586	5SQ S07G Anchor Bolts (Steel Plated)
AB KIT 122611	5SQ S07G Anchor Bolts (Galvanized)
AB KIT 122612	6SQ S07G Anchor Bolts (Galvanized)

1 - See Area Light Brackets - 3" Reduced Drill Pattern and Area Light Brackets - 5" Traditional Drill Pattern Spec Sheets.

2 - Pole heights will have +/- 1/2" tolerance.

3 - See Flood Lighting Brackets section for choice of FBO brackets.

4 - CR selection must indicate required height and side of pole mounting location. Mounting template required at time of order.



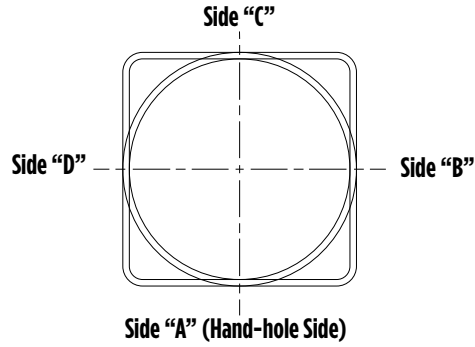
Steel Poles Square Straight

Type : _____

 **Have questions?** Call us at (800) 436-7800

DRILLING LOCATIONS

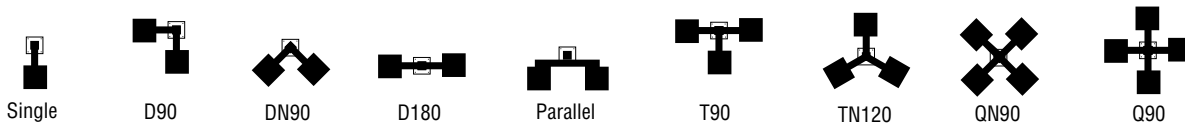
Sides	A	B	C	D
Hand-hole	X			
Single	X			
D180		X		X
D90	X			X
DN90 ¹				
T90	X	X		X
TN120 ²				
Q90	X	X	X	X
QN90 ³				
Single FBO	X			
Double FBO		X		X



- 1 - Two locations will be 45° to the left and right of Side A.
- 2 - Other two locations will be 120° to the left and right of Side A.
- 3 - Two locations will be 45° to the left and right of Side A and two locations will be 135° to the left and right of Side A.

Consult factory for custom variations. Standard SF and DF pole preparations are located 3/4 of the height of the pole from the base, except on 20' poles. Maximum height for SF and DF pole preparations on 20' poles is 13' from the base.

FIXTURE CONFIGURATIONS



Steel Poles Square Straight

Type : _____

 Have questions? Call us at (800) 436-7800

BOLT CIRCLE

STANDARD BASEPLATE

4" (102mm) square
10-1/8" (257mm) sq.



11" (279mm) Dia. Bolt Circle

5" (127mm) square
10-1/8" (257mm) sq.



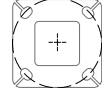
11" (279mm) Dia. Bolt Circle

5" (127mm) square
10-1/8" (257mm) sq.



11" (279mm) Dia. Bolt Circle

6" (152mm) square
12" (305mm) sq.



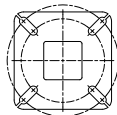
12" (305mm) Dia. Bolt Circle

Bolt Circle Designator	B	C	D	J
Bolt Circle	8"-11" Slotted (203mm-279mm)	9"-11" Slotted (229mm-279mm)	9"-11" Slotted (229mm-279mm)	12" Slotted (305mm)
Anchor Bolt Size	3/4" x 24" (19mm x 609mm)	3/4" x 24" (19mm x 609mm)	1" x 30" (25mm x 762mm)	1" x 30" (25mm x 762mm)
Anchor Bolt Projection	3-1/4" (83mm)	3-1/4" (83mm)	4" (102mm)	4" (102mm)
Base Plate Opening for Wireway Entry	3-5/8" (92mm)	4-3/4" (121mm)	4-5/8" (117mm)	5-5/8" (143mm)
Base Plate Dimensions	10-1/8" sq. x 3/4" thk. (257mm x 19mm)	10-1/8" sq. x 3/4" thk. (257mm x 19mm)	10-1/8" sq. x 1" thk. (257mm x 25mm)	12" sq. x 1-1/8" thk. (305mm x 29mm)
Pole Gauge	11	11	7	7

Note: Base plate illustrations may change without notice. Do not use for setting anchor bolts. Consult factory for the appropriate anchor bolt template.

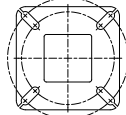
UNIVERSAL BASEPLATE

4" (102mm) square
10.5" (267mm) sq.



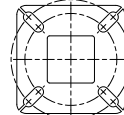
4SQ

5" (127mm) square
11.125" (283mm) sq.



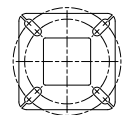
5SQ

5" (127mm) square
11.75" (298mm) sq.



5SQ

6" (152mm) square
12-1/2" (318mm) sq.



14" (356mm) Dia. Bolt Circle

Bolt Circle Designator	E	F	G	H
Bolt Circle	9"-12" Slotted	10"-13" Slotted	10"-13" Slotted	11"-14" Slotted (279mm-356mm)
Anchor Bolt Size	3/4" x 24" (19mm x 609 mm)	3/4" x 24" (19mm x 609 mm)	1" x 30" (25mm x 762mm)	1" x 30" (25mm x 762mm)
Anchor Bolt Projection	3-1/4" (83 mm)	3-1/4" (83 mm)	4" (102 mm)	4" (102mm)
Base Plate Opening for Wireway Entry	3-5/8" (92mm)	4-3/4" (121mm)	5-1/8" (130 mm)	5-5/8" (143mm)
Base Plate Dimensions	10-1/2" sq. x 3/4" thk. (267 mm x 19 mm)	11-1/8" sq. x 3/4" thk. (283 mm x 19 mm)	11-3/4" sq. x 1" thk. (298 mm x 25 mm)	12-1/2" sq. x 1-1/8" thk. (318mm x 29mm)
Pole Gauge	11	11	7	7

Note: Base plate illustrations may change without notice. Do not use for setting anchor bolts. Consult factory for the appropriate anchor bolt template.

1- Full Galvanized option is 1" x 30" straight headed anchor bolt. Contact factory for questions

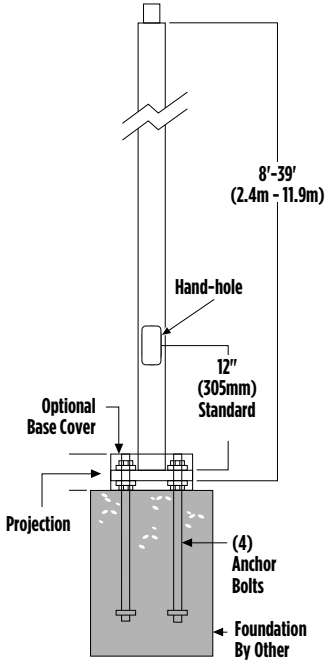
Steel Poles Square Straight

Type : _____

 **Have questions?** Call us at (800) 436-7800

PRODUCT DIMENSIONS

SQT –
N= 2-3/8" (60mm) O.D. x 4-3/4" (121mm) Tenon



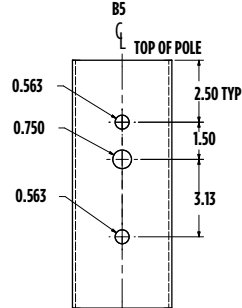
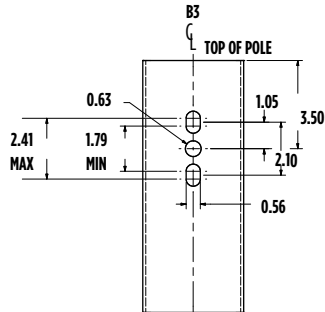
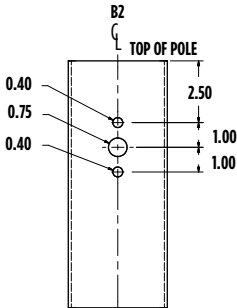
SF –
Single Flood
Pole Preparation



SHIPPING WEIGHTS

4" (102mm) sq. 11 Ga. is approximately	7.50 lbs./ft.
4" (102mm) sq. 07 Ga. is approximately	10.00 lbs./ft.
5" (127mm) sq. 11 Ga. is approximately	9.00 lbs./ft.
5" (127mm) sq. 07 Ga. is approximately	12.50 lbs./ft.
6" (152mm) sq. 07 Ga. is approximately	15.40 lbs./ft.
Anchor Bolts (3/4" x 24") (19mm x 609mm)	15 lbs. (7kg)/set
Anchor Bolts (1" x 30") (25mm x 762mm)	30 lbs. (14kg)/set

Bolt-On Mount 2-Bolt Pattern



Steel Poles Square Straight

Type : _____

 Have questions? Call us at (800) 436-7800

WIND SPEED

EPA Information

All LSI Industries' poles are guaranteed to meet the EPA requirements listed. LSI Industries is not responsible if a pole order has a lower EPA rating than the indicated wind-loading zone where the pole will be located.

CAUTION: This guarantee does not apply if the pole/bracket/fixture combination is used to support any other items such as flags, pennants, or signs, which would add stress to the pole. LSI Industries cannot accept responsibility for harm or damage caused in these situations.

NOTE: Pole calculations include a 1.3 gust factor over steady wind velocity. Example: poles designed to withstand 80 MPH steady wind will withstand gusts to 104 MPH. EPAs are for locations 100 miles away from hurricane ocean lines. Consult LSI for other areas. Note: Hurricane ocean lines are the Atlantic and Gulf of Mexico coastal areas. For applications in Florida or Canada, consult factory.

POLE ¹	Mtg. Height Length (ft)	Wall Thick (ga)	BOLT CIRCLE			EPA								
			Designator	Dia. (in)	Anchor bolt Dia {in}	110 MPH	115 MPH	120 MPH	130 MPH	140 MPH	150 MPH	160 MPH	170 MPH	180 MPH
4" x 11-ga x 12'	12	11	B	8" - 11"	0.75	13.9	12.5	11.3	9.2	7.6	6.3	5.2	4.3	3.6
4" x 11-ga x 14'	14	11	B	8" - 11"	0.75	10.7	9.5	8.5	6.8	5.4	4.4	3.5	2.7	2.1
4" x 11-ga x 16'	16	11	B	8" - 11"	0.75	8.2	7.2	6.4	4.9	3.8	2.9	2.1	1.5	1.0
4" x 11-ga x 18'	18	11	B	8" - 11"	0.75	6.3	5.4	4.7	3.4	2.4	1.6	1.0	0.4	n/a
4" x 11-ga x 20'	20	11	B	8" - 11"	0.75	4.6	3.9	3.2	2.1	1.2	0.6	n/a	n/a	n/a
4" x 11-ga x 22'	22	11	B	8" - 11"	0.75	7.6	6.6	5.7	4.2	3.0	2.0	1.2	0.5	n/a
4" x 11-ga x 24'	24	11	B	8" - 11"	0.75	6.0	5.1	4.3	2.9	1.8	0.9	n/a	n/a	n/a
4" x 11-ga x 26'	26	11	B	8" - 11"	0.75	4.6	3.7	3.0	1.7	0.7	n/a	n/a	n/a	n/a
4" x 7-ga x 14'	14	7	B	8" - 11"	0.75	18.3	16.4	14.9	12.2	10.2	8.5	7.1	5.9	5.0
4" x 7-ga x 16'	16	7	B	8" - 11"	0.75	14.7	13.2	11.8	9.6	7.8	6.3	5.2	4.2	3.4
4" x 7-ga x 18'	18	7	B	8" - 11"	0.75	11.9	10.5	9.3	7.4	5.9	4.6	3.6	2.8	2.1
4" x 7-ga x 20'	20	7	B	8" - 11"	0.75	9.6	8.4	7.4	5.7	4.3	3.2	2.3	1.6	0.9
4" x 7-ga x 22'	22	7	B	8" - 11"	0.75	7.7	6.6	5.7	4.2	3.0	2.0	1.2	0.5	n/a
4" x 7-ga x 24'	24	7	B	8" - 11"	0.75	6.0	5.1	4.3	2.9	1.8	0.9	n/a	n/a	n/a
4" x 7-ga x 26'	26	7	B	8" - 11"	0.75	4.6	3.7	3.0	1.7	0.7	n/a	n/a	n/a	n/a
4" x 7-ga x 28' ²	28	7	B	8" - 11"	0.75	3.3	2.5	1.8	0.7	n/a	n/a	n/a	n/a	n/a
4" x 7-ga x 30' ²	30	7	B	8" - 11"	0.75	2.2	1.4	0.8	n/a	n/a	n/a	n/a	n/a	n/a
5" x 11-ga x 14'	14	11	C	9" - 11"	0.75	17.4	15.7	14.1	11.5	9.3	7.7	6.3	5.2	4.2
5" x 11-ga x 16'	16	11	C	9" - 11"	0.75	13.8	12.3	10.9	8.7	6.9	5.5	4.3	3.3	2.5
5" x 11-ga x 18'	18	11	C	9" - 11"	0.75	10.8	9.6	8.4	6.5	4.9	3.7	2.6	1.8	1.1
5" x 11-ga x 20'	20	11	C	9" - 11"	0.75	8.5	7.3	6.3	4.6	3.2	2.1	1.2	0.5	n/a
5" x 11-ga x 22'	22	11	C	9" - 11"	0.75	10.9	9.5	8.3	6.2	4.5	3.2	2.1	1.2	0.5
5" x 11-ga x 24'	24	11	C	9" - 11"	0.75	8.8	7.5	6.4	4.5	3.0	1.8	0.8	n/a	n/a
5" x 11-ga x 26'	26	11	C	9" - 11"	0.75	6.8	5.7	4.6	3.0	1.6	0.6	n/a	n/a	n/a
5" x 11-ga x 28'	28	11	C	9" - 11"	0.75	5.2	4.1	3.2	1.6	0.4	n/a	n/a	n/a	n/a
5" x 11-ga x 30'	30	11	C	9" - 11"	0.75	3.6	2.7	1.8	0.4	n/a	n/a	n/a	n/a	n/a
5" x 7-ga x 20'	20	7	D	9" - 11"	1.00	21.6	19.3	17.3	14.0	11.3	9.2	7.4	6.0	4.8
5" x 7-ga x 22'	22	7	D	9" - 11"	1.00	20.7	18.6	16.6	13.3	10.7	8.5	6.8	5.4	4.2
5" x 7-ga x 24'	24	7	D	9" - 11"	1.00	17.7	15.6	13.8	10.8	8.5	6.6	5.0	3.7	2.6
5" x 7-ga x 26'	26	7	D	9" - 11"	1.00	14.9	13.1	11.4	8.8	6.6	4.9	3.5	2.3	1.3
5" x 7-ga x 28'	28	7	D	9" - 11"	1.00	12.5	10.9	9.4	6.9	4.9	3.4	2.1	1.0	n/a
5" x 7-ga x 30'	30	7	D	9" - 11"	1.00	10.3	8.9	7.5	5.2	3.4	2.0	0.8	n/a	n/a
5" x 7-ga x 35'	35	7	D	9" - 11"	1.00	6.0	4.8	3.6	1.8	n/a	n/a	n/a	n/a	n/a
6" x 7-ga x 24'	24	7	J	12"	1.00	18.6	16.4	14.3	11.2	8.6	6.5	4.8	3.4	2.2
6" x 7-ga x 26'	26	7	J	12"	1.00	15.6	13.4	11.7	8.8	6.5	4.6	3.0	1.8	0.7
6" x 7-ga x 28'	28	7	J	12"	1.00	12.9	10.9	9.3	6.7	4.6	2.8	1.5	n/a	n/a
6" x 7-ga x 30'	30	7	J	12"	1.00	10.4	8.8	7.3	4.8	2.9	1.3	n/a	n/a	n/a
6" x 7-ga x 32'	32	7	J	12"	1.00	8.3	6.8	5.5	3.1	1.3	n/a	n/a	n/a	n/a
6" x 7-ga x 34'	34	7	J	12"	1.00	6.5	5.0	3.7	1.6	n/a	n/a	n/a	n/a	n/a
6" x 7-ga x 35'	35	7	J	12"	1.00	5.5	4.2	2.9	0.9	n/a	n/a	n/a	n/a	n/a
6" x 7-ga x 39'	39	7	J	12"	1.00	2.3	1.0	n/a	n/a	n/a	n/a	n/a	n/a	n/a

Steel Poles Square Straight

Type : _____

 Have questions? Call us at (800) 436-7800

WIND SPEED

POLE ¹	Mtg. Height Length (ft)	Wall Thick (ga)	BOLT CIRCLE			EPA								
			Designator	Dia. (in)	Anchor Bolt Dia (in)	110 MPH	115 MPH	120 MPH	130 MPH	140 MPH	150 MPH	160 MPH	170 MPH	180 MPH
5" x 11-ga x 14'	14	11	F	11"	0.75	17.6	15.8	14.2	11.5	9.4	7.7	6.3	5.2	4.3
5" x 11-ga x 14'	14	11	F	13"	0.75	17.6	15.8	14.2	11.5	9.4	7.7	6.3	5.2	4.3
5" x 11-ga x 16'	16	11	F	11"	0.75	13.9	12.2	11.0	8.8	7.0	5.5	4.3	3.4	2.5
5" x 11-ga x 16'	16	11	F	13"	0.75	13.9	12.2	11.0	8.8	7.0	5.5	4.3	3.4	2.5
5" x 11-ga x 18'	18	11	F	11"	0.75	11.0	9.6	8.4	6.5	5.0	3.7	2.7	1.8	1.1
5" x 11-ga x 18'	18	11	F	13"	0.75	11.0	9.6	8.4	6.5	5.0	3.7	2.7	1.8	1.1
5" x 11-ga x 20'	20	11	F	11"	0.75	8.6	7.4	6.4	4.6	3.3	2.2	1.3	0.5	-
5" x 11-ga x 20'	20	11	F	13"	0.75	8.6	7.4	6.4	4.6	3.3	2.2	1.3	0.5	-
5" x 11-ga x 22'	22	11	F	11"	0.75	12.7	11.1	9.6	7.4	5.6	4.1	3.0	2.0	1.1
5" x 11-ga x 22'	22	11	F	12"	0.75	10.3	8.9	7.7	5.7	4.1	2.8	1.8	0.9	-
5" x 11-ga x 22'	22	11	F	13"	0.75	8.6	7.4	6.4	4.6	3.1	2.0	1.1	-	-
5" x 11-ga x 24'	24	11	F	11"	0.75	10.2	8.9	7.6	5.6	4.0	2.6	1.6	0.7	-
5" x 11-ga x 24'	24	11	F	12"	0.75	8.0	6.9	5.8	4.0	2.6	1.5	0.5	-	-
5" x 11-ga x 24'	24	11	F	13"	0.75	6.7	5.5	4.6	3.0	1.7	0.7	-	-	-
5" x 11-ga x 26'	26	11	F	11"	0.75	8.1	6.9	5.8	4.0	2.5	1.3	-	-	-
5" x 11-ga x 26'	26	11	F	12"	0.75	6.2	5.1	4.1	2.6	1.3	-	-	-	-
5" x 11-ga x 26'	26	11	F	13"	0.75	5.0	4.0	3.1	1.6	0.5	-	-	-	-
5" x 11-ga x 28'	28	11	F	11"	0.75	6.3	5.2	4.3	2.5	1.1	-	-	-	-
5" x 11-ga x 28'	28	11	F	12"	0.75	4.6	3.6	2.7	1.2	-	-	-	-	-
5" x 11-ga x 28'	28	11	F	13"	0.75	3.4	2.5	1.7	-	-	-	-	-	-
5" x 11-ga x 30'	30	11	F	11"	0.75	4.7	3.7	2.8	1.2	-	-	-	-	-
5" x 11-ga x 30'	30	11	F	12"	0.75	3.1	2.2	1.4	-	-	-	-	-	-
5" x 11-ga x 30'	30	11	F	13"	0.75	2.0	1.2	0.5	-	-	-	-	-	-
5" x 7-ga x 20'	20	7	G	11"	0.75	19.0	17.0	15.0	12.2	9.7	7.8	6.2	5.0	3.8
5" x 7-ga x 20'	20	7	G	12"	0.75	21.4	19.1	17.1	13.8	11.2	9.1	7.3	5.9	4.7
5" x 7-ga x 20'	20	7	G	13"	0.75	21.4	19.2	17.2	13.9	11.3	9.2	7.4	6.0	4.8
5" x 7-ga x 20'	20	7	G	11"	1	21.7	19.4	17.4	14.0	11.4	9.3	7.5	6.0	4.8
5" x 7-ga x 20'	20	7	G	13"	1	21.7	19.4	17.4	14.0	11.4	9.3	7.5	6.0	4.8
5" x 7-ga x 22'	22	7	G	11"	0.75	16.0	14.1	12.5	9.8	7.6	5.9	4.4	3.3	2.3
5" x 7-ga x 22'	22	7	G	12"	0.75	17.7	15.9	14.2	11.2	8.7	7.0	5.4	4.1	3.0
5" x 7-ga x 22'	22	7	G	13"	0.75	19.9	17.3	15.6	12.6	10.0	8.0	6.3	5.0	3.8
5" x 7-ga x 22'	22	7	G	11"	1	21.0	18.7	16.7	13.4	10.6	8.5	6.8	5.4	4.2
5" x 7-ga x 22'	22	7	G	12"	1	23.4	20.6	18.4	15.0	12.2	9.9	8.0	6.4	5.1
5" x 7-ga x 22'	22	7	G	13"	1	21.3	18.8	17.0	13.7	11.0	8.8	7.0	5.6	4.3
5" x 7-ga x 24'	24	7	G	11"	0.75	13.3	11.6	10.0	7.7	5.7	4.2	2.9	1.9	1.0
5" x 7-ga x 24'	24	7	G	12"	0.75	15.0	13.0	11.6	8.9	6.8	5.1	3.8	2.6	1.7
5" x 7-ga x 24'	24	7	G	13"	0.75	16.6	14.6	12.9	10.2	8.0	6.1	4.6	3.3	2.3
5" x 7-ga x 24'	24	7	G	11"	1	17.5	15.7	13.9	10.9	8.6	6.7	5.0	3.7	2.7
5" x 7-ga x 24'	24	7	G	12"	1	20.0	17.4	15.4	12.3	9.9	7.8	6.0	4.7	3.5
5" x 7-ga x 24'	24	7	G	13"	1	18.1	16.0	14.2	11.0	8.7	6.7	5.3	3.9	2.8
5" x 7-ga x 26'	26	7	G	11"	0.75	10.9	9.3	8.0	5.9	4.1	2.7	1.6	0.6	-
5" x 7-ga x 26'	26	7	G	12"	0.75	12.4	10.9	9.5	7.0	5.1	3.6	2.3	1.3	-
5" x 7-ga x 26'	26	7	G	13"	0.75	14.0	12.3	10.7	8.1	6.0	4.4	3.1	2.0	1.0
5" x 7-ga x 26'	26	7	G	11"	1	15.0	13.2	11.5	8.8	6.7	4.9	3.5	2.3	1.3

Steel Poles Square Straight

Type: _____

 Have questions? Call us at (800) 436-7800

WIND SPEED

POLE ¹	Mtg. Height Length (ft)	Wall Thick (ga)	BOLT CIRCLE			EPA								
			Designator	Dia. (in)	Anchor Bolt Dia (in)	110 MPH	115 MPH	120 MPH	130 MPH	140 MPH	150 MPH	160 MPH	170 MPH	180 MPH
5" x 7-ga x 26'	26	7	G	12"	1	17.0	14.8	13.0	10.2	7.9	6.0	4.4	3.1	2.1
5" x 7-ga x 26'	26	7	G	13"	1	15.3	13.5	11.8	9.0	6.8	5.0	3.6	2.5	1.4
5" x 7-ga x 28'	28	7	G	11"	0.75	8.9	7.4	6.3	4.3	2.7	1.4	-	-	-
5" x 7-ga x 28'	28	7	G	12"	0.75	10.2	8.8	7.5	5.3	3.5	2.1	1.0	-	-
5" x 7-ga x 28'	28	7	G	13"	0.75	11.8	10.2	8.8	6.4	4.5	3.0	1.7	0.7	-
5" x 7-ga x 28'	28	7	G	11"	1	12.5	10.9	9.5	7.0	5.0	3.3	2.1	1.0	-
5" x 7-ga x 28'	28	7	G	12"	1	14.2	12.4	11.0	8.2	6.0	4.3	3.0	1.7	0.8
5" x 7-ga x 28'	28	7	G	13"	1	12.9	11.0	9.7	7.2	5.2	3.6	2.2	1.1	-
5" x 7-ga x 30'	30	7	G	11"	0.75	7.0	5.8	4.7	2.8	1.3	-	-	-	-
5" x 7-ga x 30'	30	7	G	12"	0.75	8.4	7.0	5.8	3.8	2.2	0.9	-	-	-
5" x 7-ga x 30'	30	7	G	13"	0.75	9.7	8.2	7.0	4.8	3.0	1.6	0.5	-	-
5" x 7-ga x 30'	30	7	G	11"	1	10.4	8.8	7.6	5.3	3.4	2.0	0.8	-	-
5" x 7-ga x 30'	30	7	G	12"	1	12.0	10.3	9.0	6.4	4.4	2.9	1.6	0.5	-
5" x 7-ga x 30'	30	7	G	13"	1	10.6	9.1	7.7	5.5	3.6	2.1	1.0	-	-
5" x 7-ga x 35'	35	7	G	11"	0.75	3.2	2.2	1.2	-	-	-	-	-	-
5" x 7-ga x 35'	35	7	G	12"	0.75	4.4	3.2	2.2	0.5	-	-	-	-	-
5" x 7-ga x 35'	35	7	G	13"	0.75	5.5	4.2	3.1	1.3	-	-	-	-	-
5" x 7-ga x 35'	35	7	G	11"	1	6.0	4.8	3.6	1.8	-	-	-	-	-
5" x 7-ga x 35'	35	7	G	12"	1	7.3	6.0	4.8	2.7	1.1	-	-	-	-
5" x 7-ga x 35'	35	7	G	13"	1	6.3	5.0	3.8	1.9	-	-	-	-	-
6" x 7-ga x 24'	24	7	H	11"	1	16.5	14.4	12.6	9.6	7.2	5.3	3.8	2.5	1.4
6" x 7-ga x 24'	24	7	H	12-1/2"	1	19.8	17.5	15.4	12.0	9.2	7.0	5.3	3.8	2.7
6" x 7-ga x 24'	24	7	H	14"	1	23.0	20.5	18.0	14.3	11.2	8.9	6.9	5.3	3.8
6" x 7-ga x 26'	26	7	H	11"	1	13.7	11.8	10.2	7.5	5.3	3.6	2.1	1.0	-
6" x 7-ga x 26'	26	7	H	12-1/2"	1	16.5	14.6	12.6	9.6	7.0	5.2	3.6	2.2	1.1
6" x 7-ga x 26'	26	7	H	14"	1	19.6	17.3	15.2	11.7	8.9	6.7	5.0	3.5	2.2
6" x 7-ga x 28'	28	7	H	11"	1	11.0	9.3	7.8	5.5	3.5	1.9	0.6	-	-
6" x 7-ga x 28'	28	7	H	12-1/2"	1	13.8	12.0	10.2	7.5	5.2	3.4	1.9	0.7	-
6" x 7-ga x 28'	28	7	H	14"	1	16.4	14.5	12.5	9.4	6.9	4.7	3.2	1.8	0.7
6" x 7-ga x 30'	30	7	H	11"	1	9.0	7.3	6.0	3.6	1.9	0.5	-	-	-
6" x 7-ga x 30'	30	7	H	12-1/2"	1	11.4	9.6	8.0	5.5	3.4	1.7	-	-	-
6" x 7-ga x 30'	30	7	H	14"	1	14.0	12.0	10.0	7.2	5.0	3.2	1.6	-	-
6" x 7-ga x 32'	32	7	H	11"	1	7.0	5.5	4.2	2.0	-	-	-	-	-
6" x 7-ga x 32'	32	7	H	12-1/2"	1	9.2	7.6	6.0	3.8	1.8	-	-	-	-
6" x 7-ga x 32'	32	7	H	14"	1	11.4	9.7	8.0	5.4	3.2	1.6	-	-	-
6" x 7-ga x 34'	34	7	H	11"	1	5.1	3.7	2.5	0.6	-	-	-	-	-
6" x 7-ga x 34'	34	7	H	12-1/2"	1	7.2	5.6	4.4	2.2	-	-	-	-	-
6" x 7-ga x 34'	34	7	H	14"	1	9.3	7.6	6.2	3.6	1.7	-	-	-	-
6" x 7-ga x 35'	35	7	H	11"	1	4.2	3.0	1.8	-	-	-	-	-	-
6" x 7-ga x 35'	35	7	H	12-1/2"	1	6.2	4.8	3.6	1.4	-	-	-	-	-
6" x 7-ga x 35'	35	7	H	14"	1	8.2	6.6	5.2	2.9	1.0	-	-	-	-
6" x 7-ga x 39'	39	7	H	11"	1	1.0	-	-	-	-	-	-	-	-
6" x 7-ga x 39'	39	7	H	12-1/2"	1	3.0	1.6	0.5	-	-	-	-	-	-
6" x 7-ga x 39'	39	7	H	14"	1	4.6	3.3	2.0	-	-	-	-	-	-