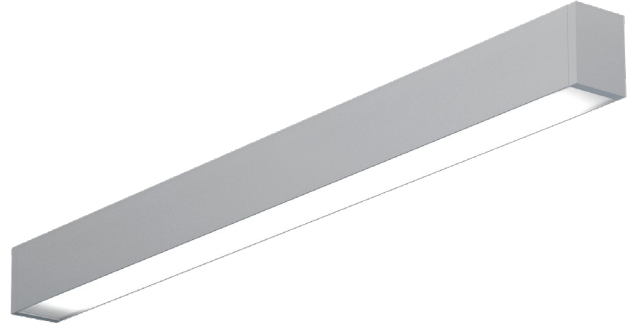




# R Series - RSM

## 3" and 4" Surface Mount Direct Lighting Linear System



OVERVIEW	
Lumen Range	650 - 1,300
CCT	2700K, 3000K, 3500K, 4000K, 5000K
Wattage Range	22 - 48
Efficacy Range (LPW)	107 -118
Weight lbs (kg)	3 lbs/ft (1.3 kg/ft)

### QUICK LINKS

[Ordering Guide](#)[Performance](#)[Photometrics](#)[Dimensions](#)

### FEATURES & SPECIFICATIONS

#### Construction

- Rigid extruded aluminum housing for consistency and strength
- Die Cast Aluminum End Caps
- Available in varying lengths from 2' to 8' for individual or continuous row mounting
- Seamlessly create a variety of shapes with straight and corner units
- Housing is treated with phosphate rust inhibitor and painted with textured powder coat paint.
- Manufactured in the USA

#### Optical System

- High transmission snap-in impact resistant diffuse acrylic lens
- Minimum CRI of 82

#### Electrical

- High-performance driver features over-voltage, under-voltage, short-circuit and over temperature protection.
- 0-10V dimming (1% - 100%) standard.
- Standard Universal Voltage (120-277 Vac) Input 50/60 Hz or optional High voltage (347 Vac).
- L70 Calculated Life: >100k Hours
- Total harmonic distortion: <20%
- Operating temperature: - -40°C to +40°C (-40°F to +104°F)
- Power factor: >.95

- Input power stays constant over life.
- Factory pre-wired to section ends with quick-wire connectors
- Optional 120-277V 12W integral emergency battery pack is available to meet critical life-safety lighting requirements. The 90-minute batteries provide constant power to the LED system, ensuring code compliance. A test switch/indicator button is installed beneath the snap in lens mounted to the reflector.

#### Controls

- Optional integral passive infrared occupancy sensor available
- Optional integral daylight harvesting sensor available

#### Installation

- Quick connect harness to attach fixtures in continuous rows
- Hanger bracket to provide hanging support between fixtures
- Alignment guides to ensure proper alignment from fixture to fixture
- Power access on top of fixtures

#### Warranty

- Complete warranty terms located at: <https://www.lsi-industries.com/resources/terms-and-warranty.aspx>.
- 1 Year warranty on optional Battery Backup.

Test regularly in accordance with local codes.

#### Listings

- List for UL 1598 and UL 8750
- RoHS Compliant
- Suitable for damp locations
- Meets Buy American Act requirements
- State of California Title 24 compliant
- DLC qualified product. Not all versions of this product may be DLC qualified. Please check the DLC Qualified Products List at [www.designlights.org/QPL](http://www.designlights.org/QPL) to confirm which versions are qualified.





## ORDERING GUIDE

[Back to Quick Links](#)

TYPICAL ORDER EXAMPLE: **3RSM 4 LED 06L LF UE 40 WHT**

Prefix	Length	LED Technology	Direct Lumens (Per Foot)	Lens	Voltage	Color Temperature	Ceiling Attachment	Fixture Color	Options
<b>3RSM</b> - 3" Width Direct	2 - 2' Length <sup>1</sup>	<b>LED</b>	<b>06L</b> - 600 Lumens <b>10L</b> - 1,000 Lumens <b>11L</b> - 1,100 Lumens <b>13L</b> - 1,300 Lumens	<b>LF</b> - Frosted Diffuse	<b>UE</b> - Universal Voltage (120V-277V)	<b>27</b> - 2700K <sup>2</sup> <b>30</b> - 3000K <b>35</b> - 3500K <b>40</b> - 4000K <b>50</b> - 5000K <sup>2</sup>	<b>HC</b> - Hard Ceiling <b>1C</b> - 15/16" Tee Clip <b>9C</b> - 9/16" Tee Clip <b>SC</b> - Screw Slot Clip	<b>WHT</b> - White <b>BLK</b> - Black <b>MSV</b> - Silver <b>RAL</b> - Custom Color (specify i.e. RAL829)	<b>OCC</b> - Occupancy Sensor <b>DAY</b> - Daylight Sensor <b>DOC</b> - Daylight and Occupancy Sensor <b>EM</b> - Emergency Battery Pack <sup>4</sup> <b>EC</b> - Emergency Circuit <sup>4</sup> <b>EH</b> - Emergency Through Harness <sup>4</sup> <b>F</b> - Fast Blow Fuse <b>GMF</b> - Slow Blow Fuse
	3 - 3' Length								
	4 - 4' Length								
	5 - 5' Length								
<b>4RSM</b> - 4" Width Direct	6 - 6' Length	<b>CVO</b> - 2'x2' Corner Vertical Out	<b>6</b> - 6' Length <b>7</b> - 7' Length <b>8</b> - 8' Length	<b>HV</b> - High Voltage (347V)	<b>6</b> - 6' Length <b>7</b> - 7' Length <b>8</b> - 8' Length	<b>6</b> - 6' Length <b>7</b> - 7' Length <b>8</b> - 8' Length	<b>6</b> - 6' Length <b>7</b> - 7' Length <b>8</b> - 8' Length	<b>6</b> - 6' Length <b>7</b> - 7' Length <b>8</b> - 8' Length	<b>6</b> - 6' Length <b>7</b> - 7' Length <b>8</b> - 8' Length
	7 - 7' Length								
	8 - 8' Length								
	CVO - 2'x2' Corner Vertical Out								

## HARDWARE ORDERING GUIDE

Prefix	Line voltage
<b>PFK</b> - Power feed kit dimmable	<b>UE</b> - Universal Voltage (120-277V) <b>347</b> - 347V
<b>EFK</b> - Emergency circuit feed	

### Notes:

- 1 - Sensor and Emergency battery options not available for this length
- 2 - Adds 1 week to published lead time
- 3 - Requires EFK Hardware Accessory
- 4 - EH is required if emergency circuit traverses multiple fixtures

## ENDPLATES

Fixture Series	Width	Description
3RSM - EP	3"	Endplate kit (2 per)
4RSM - EP	4"	Endplate kit (2 per)

## PERFORMANCE

[Back to Quick Links](#)

DELIVERED LUMENS - PER FOOT*						
Size	Output	3000K	3500K	4000K	5000K	Wattage
3"	06L	604	613	634	653	5.7
	10L	919	934	965	993	8.7
4"	06L	630	640	662	681	5.7
	10L	962	979	1,010	1,040	8.7

\*LEDs are frequently updated therefore values are nominal.

ELECTRICAL DATA - PER FOOT*					
Drive Current	120V	208V	240V	277V	347V
06L	0.048A	0.027A	0.024A	0.021A	0.016A
10L	0.073A	0.042A	0.036A	0.031A	0.025A

\*Electrical data at 25C (77F). Actual wattage may differ by +/-10%.

RECOMMENDED LUMEN MAINTENANCE					
Ambient	Initial <sup>2</sup>	25K hr <sup>2</sup>	50K hr <sup>2</sup>	75K hr <sup>3</sup>	100K hr <sup>3</sup>
0 C (32 F)	1.02	0.96	0.94	0.92	0.90
5 C (41 F)	1.02	0.96	0.94	0.91	0.89
10 C (50 F)	1.01	0.95	0.92	0.89	0.86
15 C (59 F)	1.01	0.95	0.91	0.87	0.83
20 C (68 F)	1.00	0.94	0.89	0.84	0.80
25 C (77 F)	1.00	0.92	0.86	0.81	0.75
30 C (86 F)	0.99	0.91	0.83	0.77	0.71
35 C (95 F)	0.98	0.91	0.80	0.70	0.62

- 1 - Lumen maintenance values at 25C are calculated per TM-21 based on LM-80 data and in-situ testing.
- 2 - In accordance with IESNA TM-21-11, Projected Values represent interpolated value based on time durations that are within six times the IESNA LM-80-08 total test duration for the device under testing.
- 3 - In accordance with IESNA TM-21-11, Calculated Values represent time durations that exceed six times the IESNA LM-80-08 total test duration for the device under testing.





## PHOTOMETRICS

[Back to Quick Links](#)

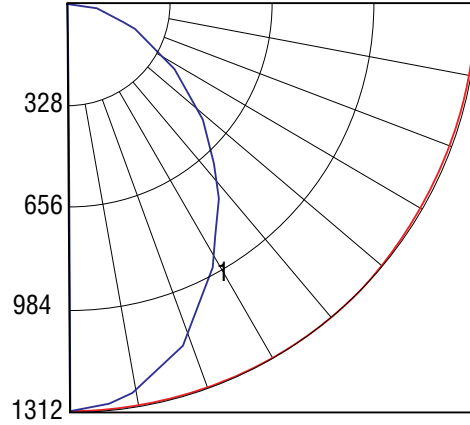
Luminaire photometry has been conducted by a NVLAP accredited testing laboratory in accordance with IESNA LM-79-08. As specified by IESNA LM-79-08 the entire luminaire is tested as the source resulting in a luminaire efficiency of 100%.

See <http://www.lsi-industries.com/products/led-lighting-solutions.aspx> for detailed photometric data.

### 3RSM-4-LED-06L-LF-XX-40

#### Zonal Lumen Summary

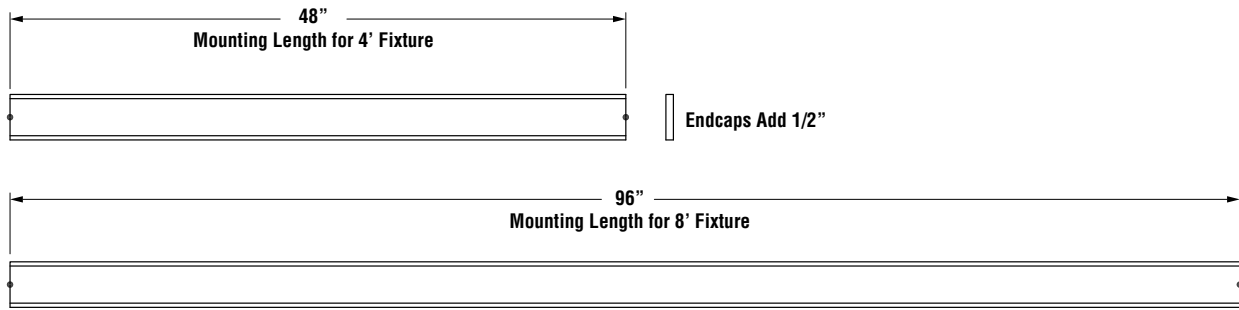
Zone	Lumens	%Luminaire
0 - 30	781.0	31%
0-40	1,239.3	49.2%
0-60	2,063.3	81.9%
60-90	455.9	18.1%
70-100	184.1	7.3%
90-120	0	0%
0-90	2,519.3	100%
90-180	0	0%
0-180	2,519.3	100%



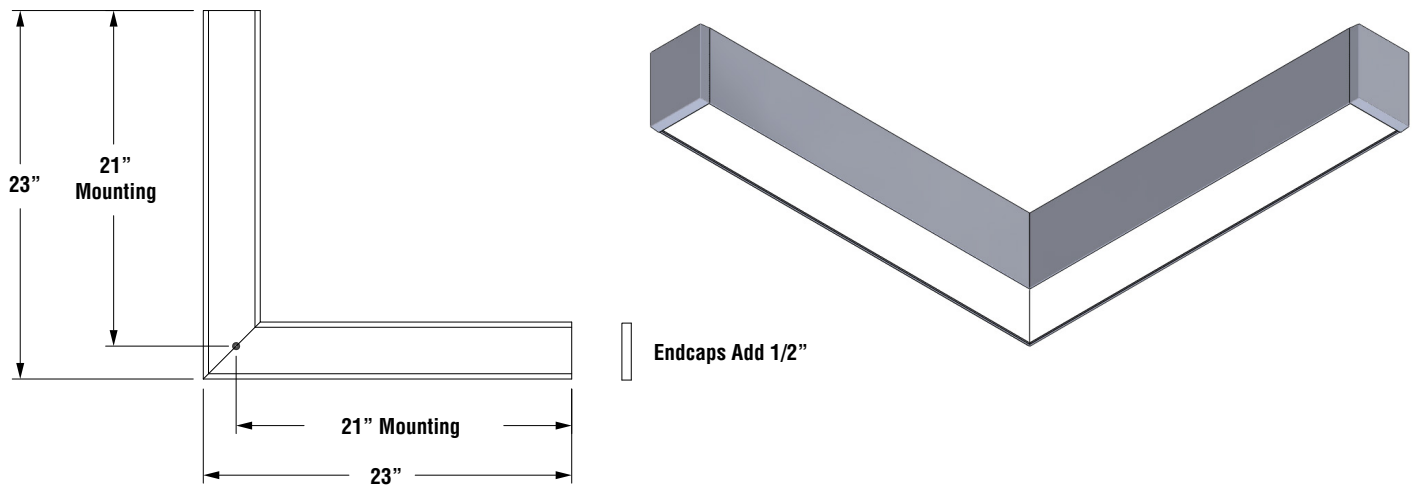


## STRAIGHT DIMENSIONS

[Back to Quick Links](#)

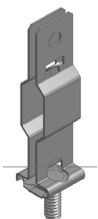


## CORNER DIMENSIONS

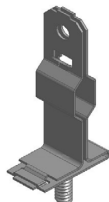


## MOUNTING

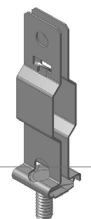
9/16" Tee Clip



15/16" Tee Clip



Screw Slot Tee Clip



Mounting Strip to J-Box  
(J-Box by Others)

