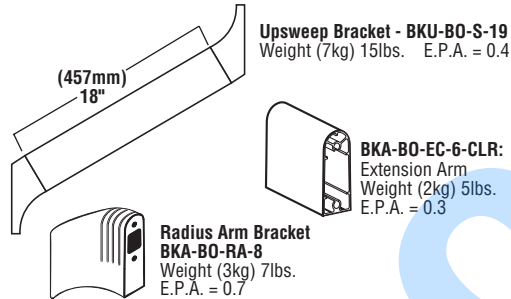
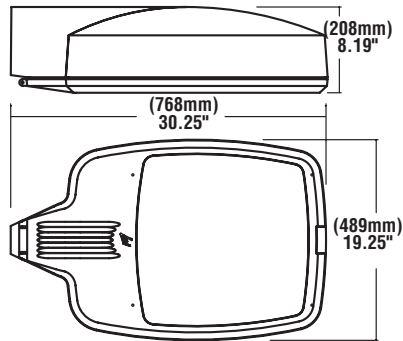


PATRIOT (Various reflectors are protected by U.S. Patent No. 6,464,378.)



Flat-lensed fixtures meet IESNA full cutoff classification
 COMMUNITY FRIENDLY

DIMENSIONS



LUMINAIRE EPA CHART - Patriot		Flat Glass
	Single	1.5
	D180°	3.0
	D90°	2.3
	T90°	3.8
	TN120°	4.0
	Q90°	4.5

Note: External House Side Shield adds to fixture EPA. Consult factory.

SHIPPING WEIGHTS - Patriot				
Catalog Number	Est. Weight (kg/lbs.)	Length (mm/in.)	Width (mm/in.)	Height (mm/in.)
PTH	34/74	863/34	559/22	305/12

HOUSING - One-piece, die-cast aluminum in a multi-radiused, rectangular shape with mounting arm cast in as an integral part of the housing. All hardware is stainless steel or electro-zinc plated steel.

DOOR FRAME - The Patriot's one-piece, die-cast aluminum door frame secures to the housing with a stainless steel hinge bracket. An integral over-center latch allows easy tool-less access. Door frame may then be easily removed from housing. Door is provided with a catch mechanism that limits door swing. A one-piece extruded silicone gasket seals the door frame against the housing. The standard housing/door seal design prevents external contaminants from entering the Patriot, resulting in an IP65 rating in all versions.

LENS/GASKET - The Patriot is available with a tempered flat clear glass lens. A one-piece extruded silicone gasket seals the lens to the die-cast aluminum door frame.

SOCKETS - Porcelain mogul-base sockets. All sockets are factory prewired with a disconnect plug for the ballast. All sockets are pulse-rated.

LIGHT SOURCES - Pulse-Start Metal Halide, Pulse-Start Metal Halide Reduced Envelope, or High Pressure Sodium. Clear lamp is supplied as standard.

BALLAST - High-power factor ballast. Pulse-Start Metal Halide and High Pressure Sodium fixtures feature a CWA type ballast, designed for -20° F operation.

REFLECTORS/DISTRIBUTION PATTERNS

- The Patriot is available with a wide variety of reflectors, including Type II (2), Type III (3), Type V (5), Forward Throw (FT), and Automotive Forward Throw (FA). All reflectors are field-rotatable, enabling generous flexibility in distribution patterns, without fixture movement. Photometric data is tested in accordance with IESNA guidelines.

BRACKETS - Use with 5" traditional drilling pattern. The Patriot's integral cast mounting arm is flat for square pole applications. The fixture may also be mounted to round poles using the round pole adaptor accessory (RPPC), which must be ordered separately. An extruded 6" arm extension is available (but not required) for D90°, Q90°, T90° and TN 120° fixture configurations. A locking nut secures two through bolts and a reinforcing plate to the pole, stabilizing it for easy fixture mounting.

SHIELDING - External House Side Shields are available for field installation with Types 2, 3, and FT distributions. Internal Louver available for field installation with Types 3 and FT distributions on 400 watt and below fixtures.

FINISHES - Each fixture is finished with LSI's DuraGrip® polyester powder coat finishing process. The DuraGrip finish withstands extreme weather changes without cracking or peeling, and is guaranteed for five full years. Standard colors include bronze, black, platinum plus, white, satin verde green, metallic silver, and graphite.

PHOTOMETRICS - Please visit our web site at www.lsi-industries.com for detailed photometric data.



IP65



ARRA
 Funding Compliant



Project Name _____ Fixture Type _____
 Catalog # _____

LUMINAIRE ORDERING INFORMATION



TYPICAL ORDER EXAMPLE: **PTH 5 400 PSMHR F MT MSV PCR**

Luminaire Prefix	Distribution	Lamp Wattage	Light Source	Lens	Line Voltage	Luminaire Finish	Options	
Horizontal Burn PTH	2-Type II 3-Type III FT- Forward Throw FA - Automotive Forward Throw ¹ 5 - Type V	250 320 400 750	PSMH - Pulse-Start Metal Halide 250, 320, 750 ² Watt PSMHR - Pulse-Start Metal Halide Reduced Envelope 400 Watt HPS - High Pressure Sodium 250, 400 Watt	F - Flat Clear Tempered Glass	480 MT - Multi Tap TT - Tri-Tap	BRZ - Bronze BLK - Black PLP - Platinum Plus WHT - White SVG - Satin Verde Green GPT - Graphite MSV - Metallic Silver	PCR - Photoelectric Control Receptacle ³ LL - Less Lamp	
			<p>MT - Multi Tap consists of 120V, 208V, 240V and 277V and is prepared for highest voltage. Alternate voltages will require field adjustment.</p> <p>TT - Tri-Tap consists of 120V, 277V and 347V and is shipped standard for Canadian applications and is prepared for highest voltage. Alternate voltages will require field adjustment.</p>		<p>Consult Factory for International Voltages and Light Sources</p>			

FOOTNOTES:

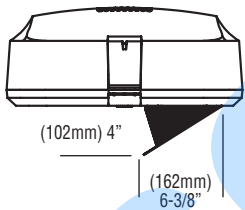
- 1- Available with 750 PSMH only
- 2- 750 PSMH available in distribution types: 3, 5, FT, & FA.
- 3- Factory installed PCR requires field wiring to proper voltage. Photocell must be ordered separately - see Accessories

ACCESSORY ORDERING INFORMATION

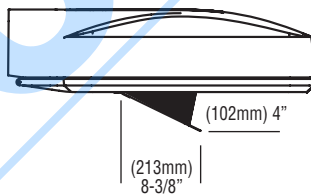
(Accessories are field installed)

Description	Order Number	Description	Order Number
PC120 - Photocell	122514+	PTH 2/3/FT HSS RM - External House Side Shield - Rear Mounted	182009BLK+++
PC208-277 - Photocell for 208V, 240V or 277V	122515+	PTH 2/3/FT HSS SM - External House Side Shield - Side Mounted	182011BLK+++
PC347 - Photocell	159516+	PTH 3/FT IL - Internal Louver	213020BLK++++
PC480 - Photocell	1225180+	RPPC - Round Pole Plate	141940CLR
FK120 - Single Fusing	FK120++	BKS-BO-WM-* - CLR Wall Mount Plate	123111CLR
FK277 - Single Fusing	FK277++	BKA-BO-EC-6-CLR Extension Arm	142862CLR
DFK208, 240 - Double Fusing	DFK208, 240++	BKA-BO-RA-8-CLR Radius Arm	169010CLR
DFK480 - Double Fusing	DFK480++	BKU-BO-S-19-CLR Upsweep Bracket for round and square poles	144191CLR
FK347 - Single Fusing	FK347++	+Factory Installed PCR option required. ++Fusing must be located in the hand-hole of the pole, not in the fixture.	
PTH PLS - Polycarbonate Shield	92730	+++Black only. ++++ Only available with 250-400 Watt fixtures. Black only.	

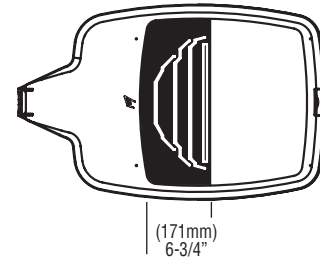
HOUSE SIDE SHIELD



SIDE MOUNTED
(182011BLK)



REAR MOUNTED
(182009BLK)



INTERNAL LOUVER
(213020BLK)

EXTENSION ARM



STANDARD POLE MOUNT



EC 6 EXTENSION ARM



RADIUS ARM



UPSWEEP BRACKET

