

INSTALLATION OF GLARE SHIELD GREENBRIAR SERIES — ARM MOUNT

1. Position shield on housing as shown in Figure 2 and mark drilling locations through slotted holes in shield. (See Figure 1.)
2. Remove shield and drill 1/2" dia. holes through housing (4 places).
3. Insert well-nut into each hole.
4. Position and install glare shield using 1/4-20 screws and flat/lock washers.
5. Tighten screws until snug.

NOTE: Glare shield should be placed on side that will best block light from the area to be shielded, and that will allow maximum reflector performance. (See Figure 3.)

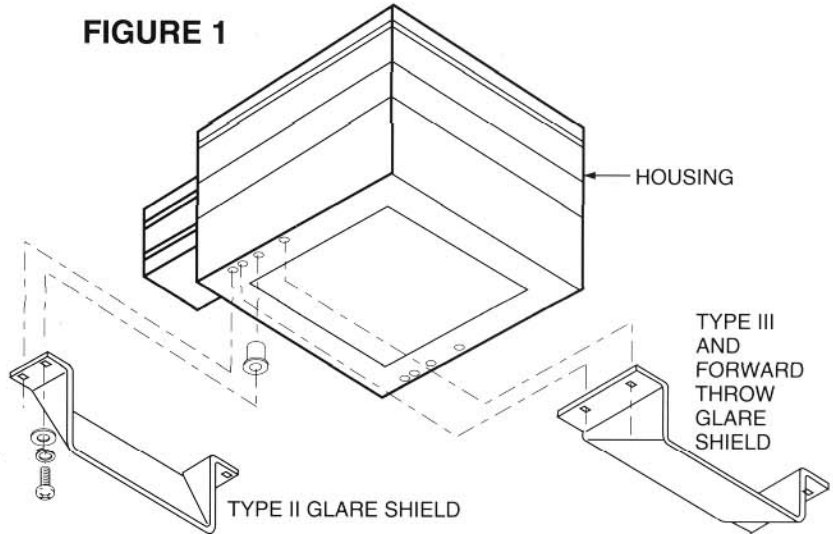


FIGURE 2: SHIELD POSITIONING FOR MEDIUM AND LARGE GREENBRIAR

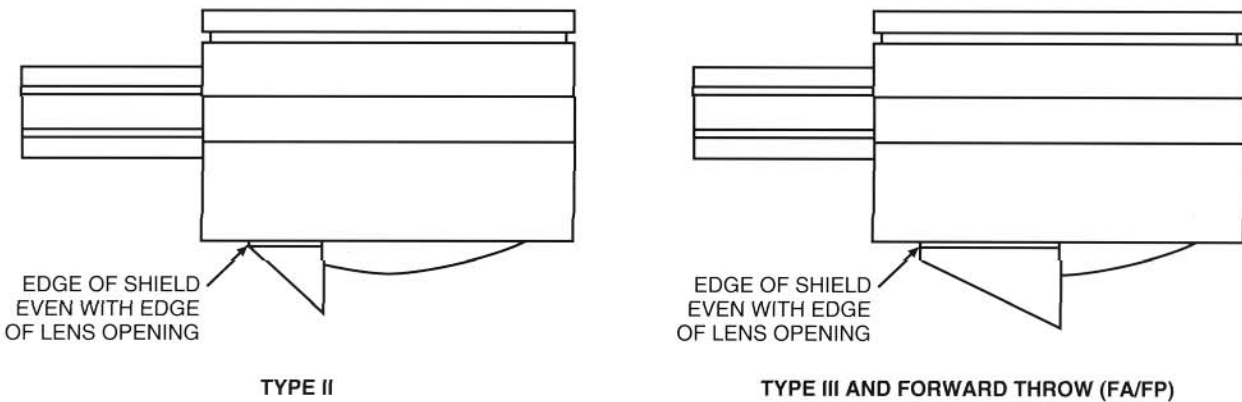
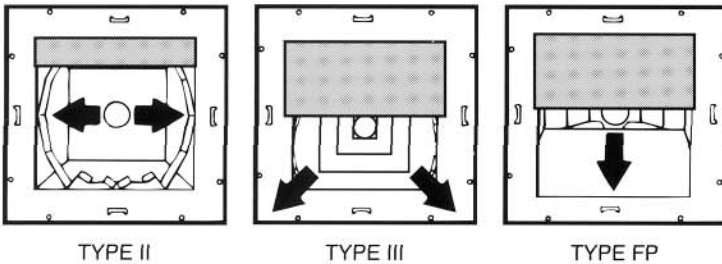


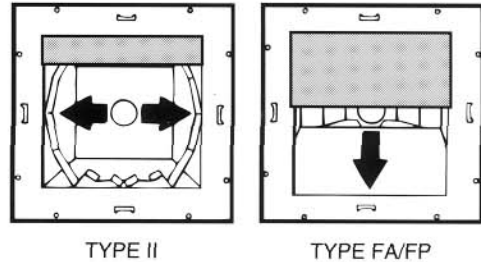
FIGURE 3

Drawings below show location of shields for best performance of reflector. Whenever possible, glare shields should be placed in the indicated positions. (See shaded areas.)

MEDIUM GREENBRIAR



LARGE GREENBRIAR



LSI LIGHTING SYSTEMS, A Division of LSI Industries Inc.
10000 ALLIANCE ROAD • P.O. BOX 42728 • CINCINNATI, OHIO 45242-0728
(513) 793-3200 • FAX (513) 793-0147



INSTALLATION OF GLARE SHIELD HILTON™/HATTERAS™/KIAWAH™ SERIES — ARM MOUNT

1. Position shield on door casting as shown in Figure 2 and mark drilling locations through holes in shield (see Figure 1).
2. Remove shield and drill 5/32" dia. holes through door casting (4 places).
3. Position and install glare shield using #10x5/16" self threading screws.
4. Tighten screws until snug.

NOTE: Glare shield should be placed on side that will best block light from the area to be shielded, and that will allow maximum reflector performance (see Figure 3).

FIGURE 1

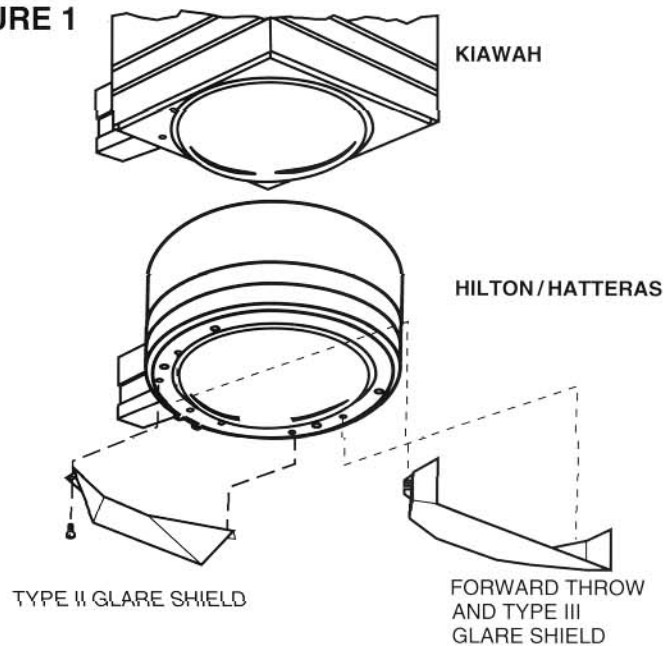


FIGURE 2: SHIELD POSITIONING FOR MEDIUM/LARGE HILTON/HATTERAS/KIAWAH

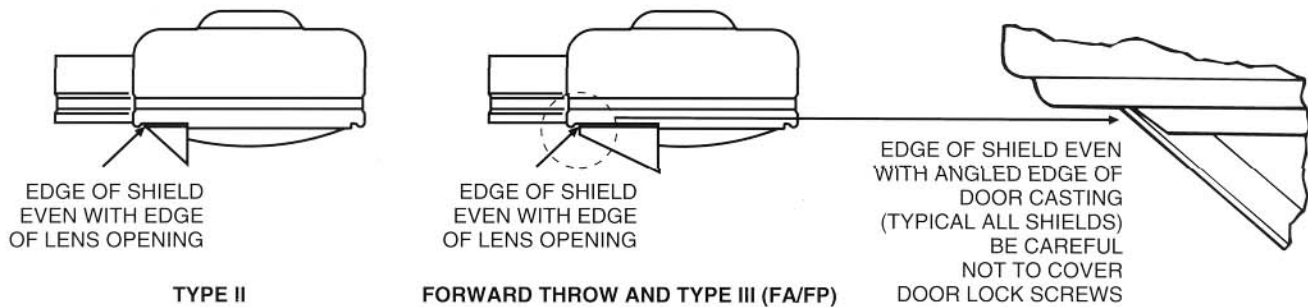
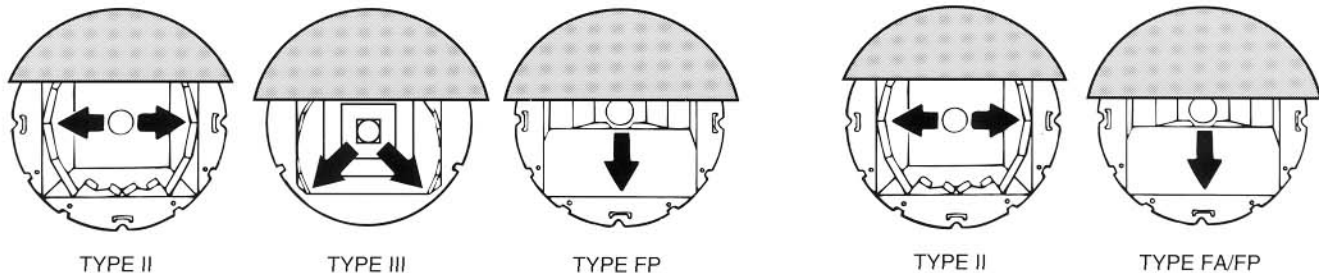


FIGURE 3

Drawings below show location of shields for best performance of reflector. Whenever possible, glare shields should be placed in the indicated positions. (See shaded areas.) (Be careful not to cover door lock screws.)

MEDIUM HILTON / HATTERAS / KIAWAH

LARGE HILTON / HATTERAS / KIAWAH



LSI LIGHTING SYSTEMS, A Division of LSI Industries Inc.
10000 ALLIANCE ROAD • P.O. BOX 42728 • CINCINNATI, OHIO 45242-0728
(513) 793-3200 • FAX (513) 793-0147

