

FLRK SERIES LED RETROFIT INSTALLATION AND ASSEMBLY

INSTRUCTIONS

UNIT TO BE RETROFIT INTO RECESSED FLORESCENT TYPE FIXTURES.

WARNING! RISK OF FIRE OR ELECTRICAL SHOCK

Disconnect power before installing or servicing.

WARNING: Risk of fire or electrical shock. Luminaire wiring, power supply, or other electrical parts may be damaged when drilling for installation of retrofit assembly hardware. Inspect wiring or components for damage.

WARNING: Risk of fire or electric shock. Do not alter, relocate, or remove wiring, lampholders, power supply or any other electrical component.

WARNING: Risk of fire or electric shock. Installation of this retrofit assembly requires a person familiar with the construction and operation of the luminaire's electrical system and the hazards involved. If not qualified do not attempt installation. Contact a qualified electrician.

WARNING: Risk of fire or electrical shock. Install this kit only in the luminaires the have the construction features and dimensions shown on the drawings.

-Only those open holes indicated in the drawings may be made or altered as a result of kit installation. Do not leave any other open holes in an enclosure of wiring or electrical components.

-Verify that supply wiring voltage matches power supply voltage by comparing it with power supply label.

-Make all electrical and grounded connections in accordance with the National Electric Code (NEC) and any other applicable local code requirements.

-THE RETROFIT KIT IS ACCEPTED AS A COMPONENT OF A LUMINAIRE WHERE THE SUITABILITY OF THE COMBINATION SHALL BE DETERMINED BY CSA OR AUTHORITIES HAVING JURISDICTION.

-LED RETROFIT LUMINAIRE CONVERSION FOR USE ONLY IN LSI INDUSTRIES INC, MODEL 88 SERIES LUMINAIRES IN ACCORDANCE WITH THE INSTRUCTIONS PROVIDED WITH THIS RETROFIT KIT.

CAUTION: RISK OF INJURY.

- Wear gloves and safety glasses at all times when removing luminaire from carton, installing , servicing or performing maintenance.

-Allow lamp/luminaire/driver to cool before handling.

NOTICE: RISK OF PRODUCT DAMAGE- Failure to follow instructions could result in damage to product and void ALL warrenties.

-Never connect components under load.

-Do NOT mount or support these fixtures in a manner that can cut the outer jacket or damage wire insulation.

-Do NOT restrict fixture ventilation. Allow for some volume of airspace around fixture. Avoid covering LED fixtures with insulation, foam, or other material that will prevent convection of conduction cooling.



Installation Questions?
Call LSI Field Service Department at:
1-800-436-7800 Ext. 3300 Fax 877-861-1368

FLRK RETROFIT INSTALLATION AND ASSEMBLY INSTRUCTIONS

UNIT TO BE RETROFIT INTO ANY RECESSED LINEAR FLUORESCENT GRID MOUNTED LUMINAIRE WITH MINIMUM DIMENSIONS OF 3 5/8 in. DEEP BY 20 1/2in. WIDE.

WARNING: Before proceeding, read all instructions carefully to insure proper and safe installation.

WARNING: Risk of fire or electrical shock. Disconnect power before installing or servicing.

WARNING: Risk of electrical shock. High temperatures inside luminaire. Make certain line voltage corresponds with ballast's primary voltage. (See ballast label).

WARNING: Risk of fire or electric shock. Install this kit only in the luminaires that has the construction features and dimensions shown in the photographs and/or drawings.

WARNING: Risk of fire or electric shock. Reflector kit installation requires knowledge of fluorescent lighting luminaires electrical systems. If not qualified, do not attempt installation. Contact a qualified electrician.

WARNING: This product must be installed in accordance with the applicable installation code by a person familiar with construction and operation of the product and the hazards involved.

WARNING: To prevent wiring damage or abrasion, do not expose wiring to edges of sheet metal or other sharp objects.

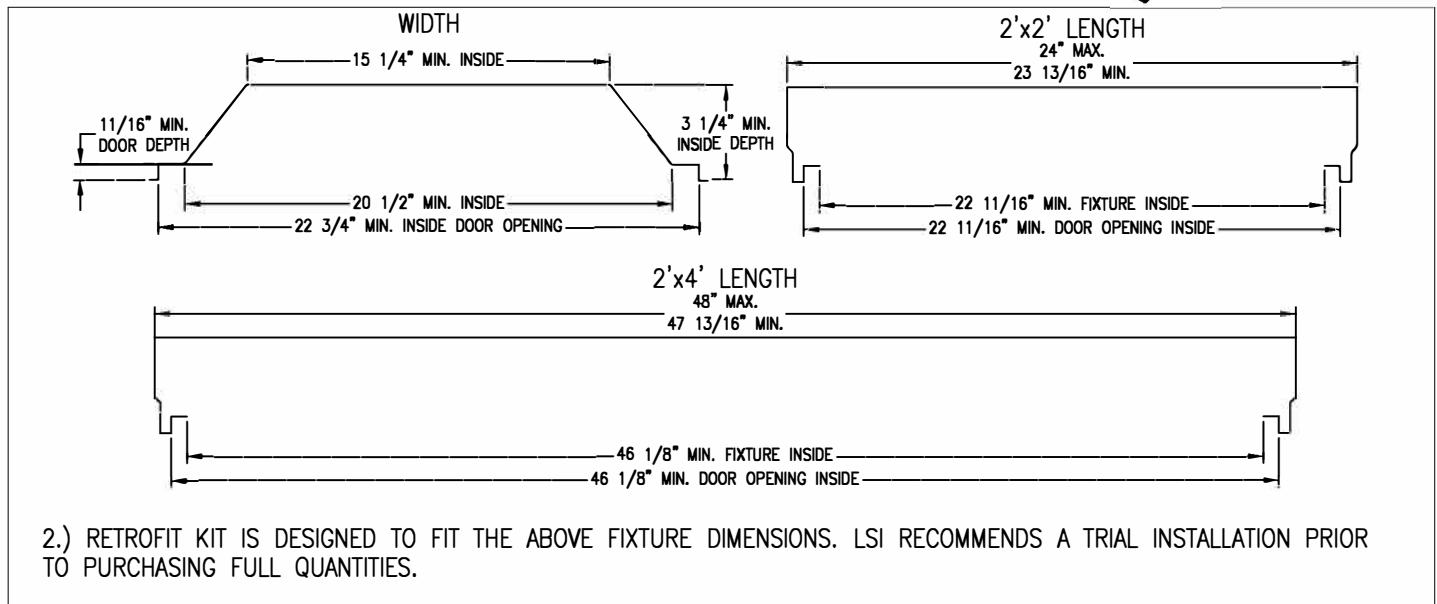
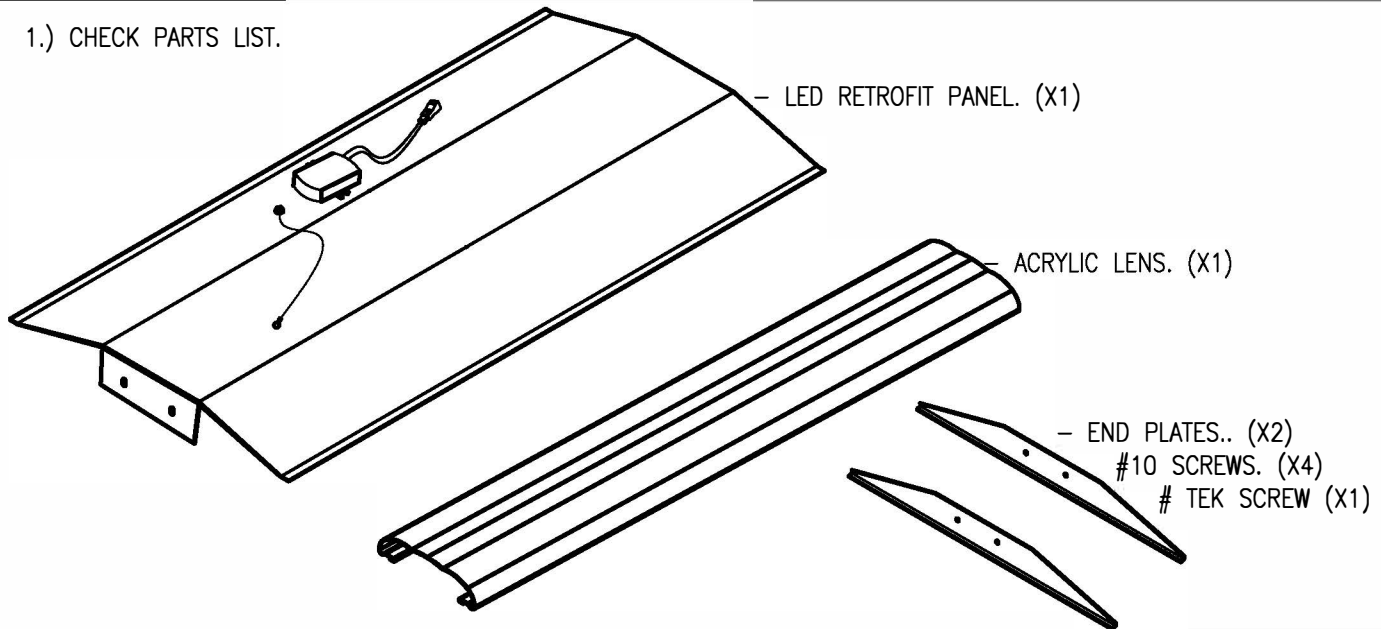
IMPORTANT: When lamping, always wear eye protection. Make sure area below fixture is clear.

IMPORTANT: Not every unit is identical! Placement of proper luminaire section (by length, emergency option, etc.) within each row is important. Refer to layout drawing to verify row identification, product location, and feed points!

Note: If lamp is installed dirty, operating hours and performance will significantly decrease.

Note: Do not make or alter any open holes in an enclosure of wiring or electrical components during kit installation.

1.) CHECK PARTS LIST.

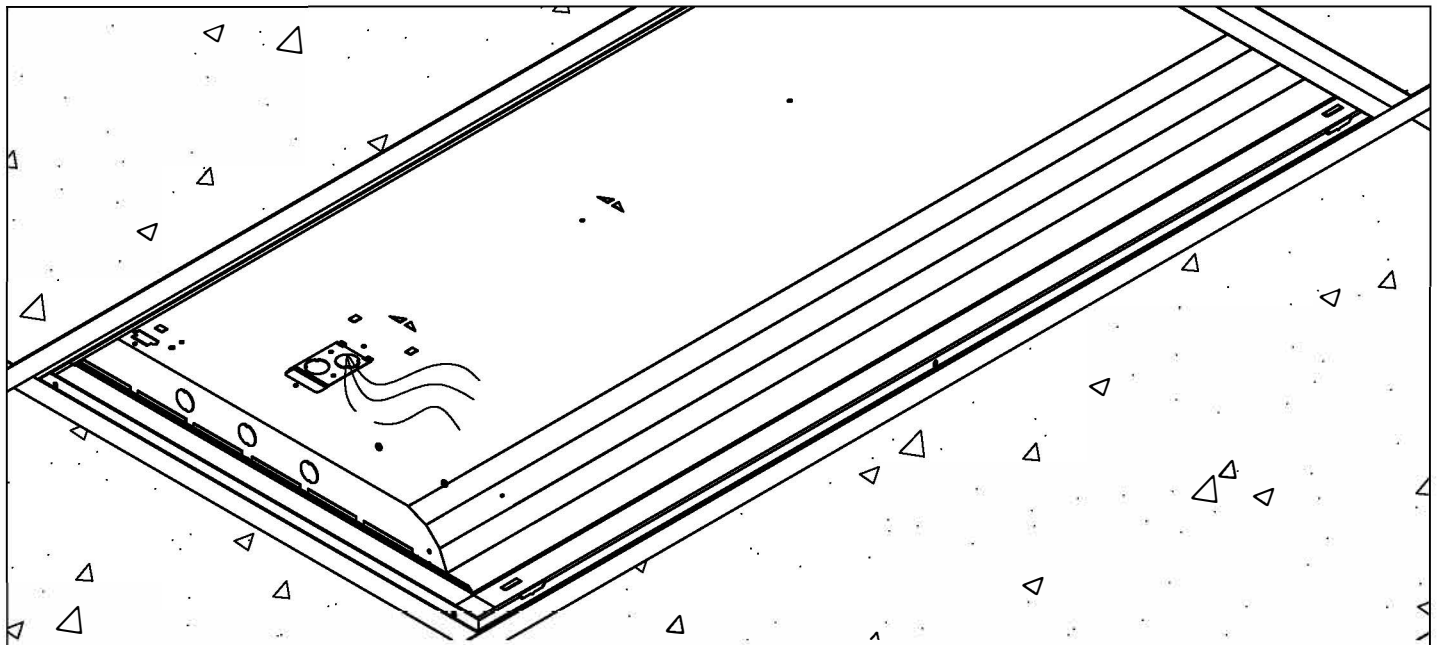


2.) RETROFIT KIT IS DESIGNED TO FIT THE ABOVE FIXTURE DIMENSIONS. LSI RECOMMENDS A TRIAL INSTALLATION PRIOR TO PURCHASING FULL QUANTITIES.

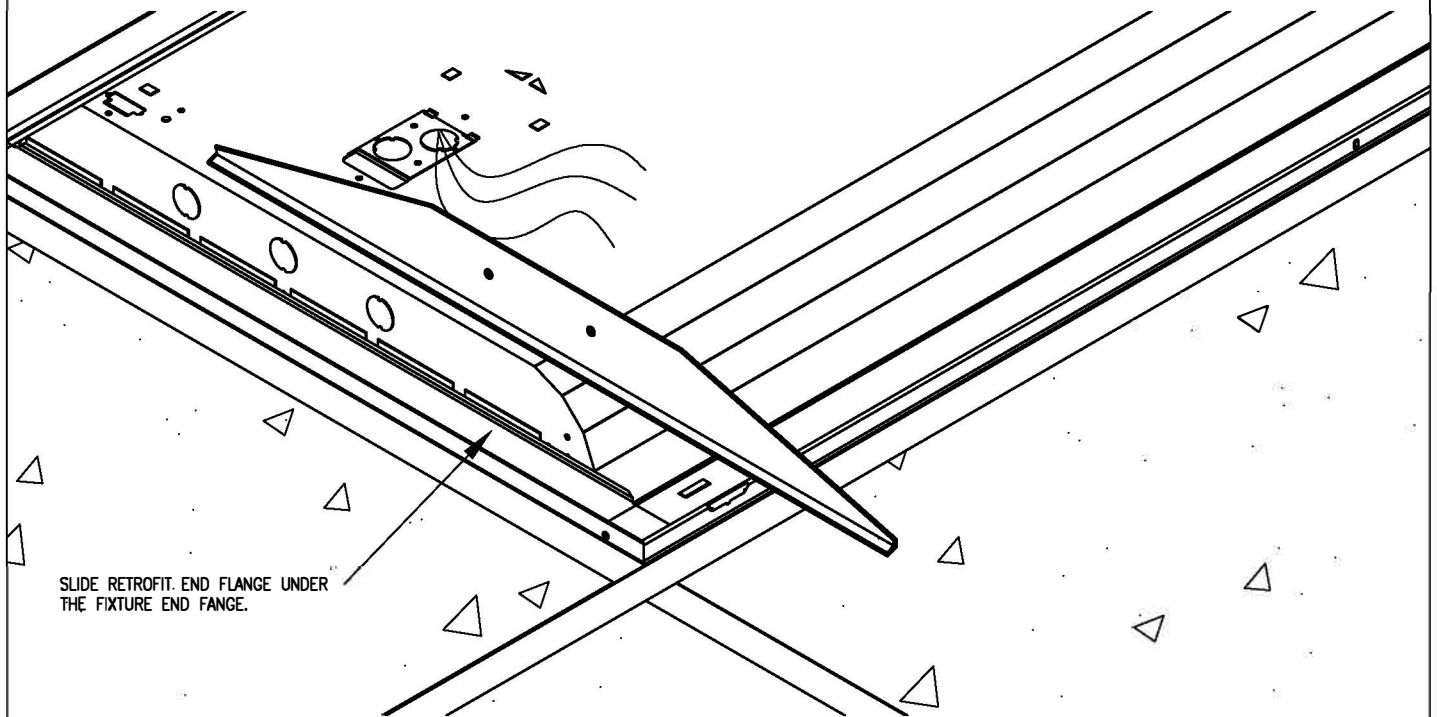


Installation Questions?
Call LSI Field Service Department at:
1-800-436-7800 Ext. 3300 Fax 877-861-1368

FLRK RETROFIT INSTALLATION AND ASSEMBLY INSTRUCTIONS (Cont.)



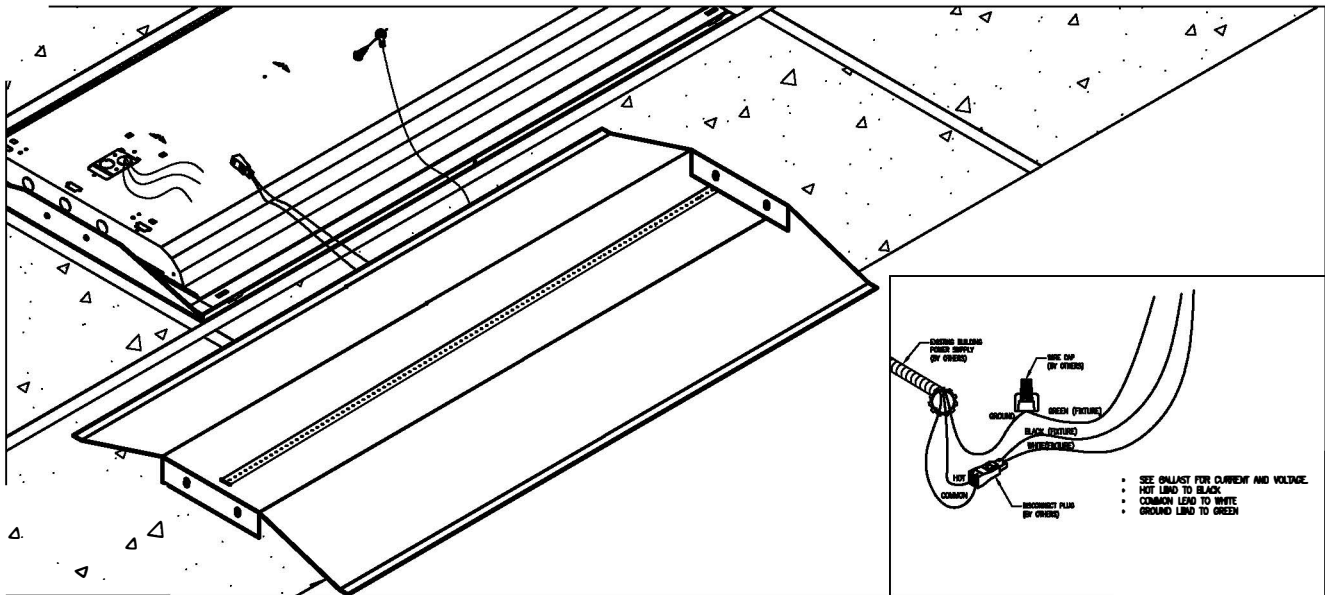
3.) SHUT OFF POWER TO EXISTING FIXTURE. REMOVE EXISTING LAMPS, BALLAST COVERS, LAMPHOLDERS, LAMPHOLDER WIRING, BALLAST, AND DOOR OR LOUVER THAT APPLYS TO FIXTURE IN CEILING AND DISPOSE/RECYCLE APPROPRIATELY PER STATE AND LOCAL CODES.



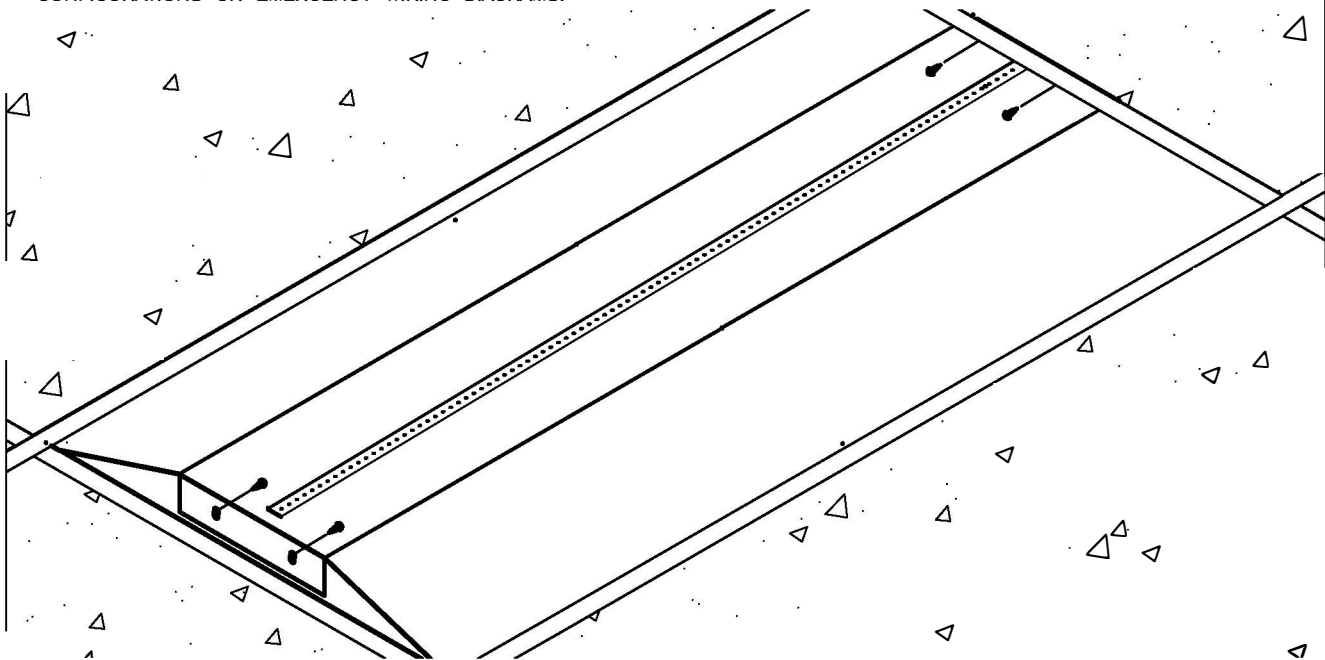
SLIDE RETROFIT END FLANGE UNDER THE FIXTURE END FANGE.

4.) SLIDE RETROFIT END FLANGES UNDER THE END FLANGES OF THE EXISTING HOUSING. FLANGE ON THE RETROFIT ENDS SHOULD REST BETWEEN THE FLANGE OF THE EXISTING HOUSING END AND THE GRID

FLRK RETROFIT INSTALLATION AND ASSEMBLY INSTRUCTIONS (Cont.)



5.) ATTACH GROUND WIRE TO EXISTING HOUSING USING TEK SCREW. THIS WILL PROVIDE GROUND CONTINUITY AS WELL AS A TETHER TO ASSIST IN INSTALLATION. ATTACH POWER SUPPLY USING UL LISTED WIRE CONNECTORS. PLEASE CONSULT FACTORY FOR OTHER DRIVER CONFIGURATIONS OR EMERGENCY WIRING DIAGRAMS.



6.) SLIDE RETROFIT HOUSING SIDE FLANGES UNDER THE SIDE FLANGES OF THE EXISTING HOUSING. FLANGE ON THE RETROFIT SHOULD REST BETWEEN THE FLANGE OF THE EXISTING HOUSING AND THE GRID. SECURE RETROFIT HOUSING TO RETROFIT END USING SCREWS PROVIDED.

FLRK RETROFIT INSTALLATION AND ASSEMBLY INSTRUCTIONS (Cont.)

8.) ATTACH LENS VIA LANCES IN THE RETROFIT HOUSING.

