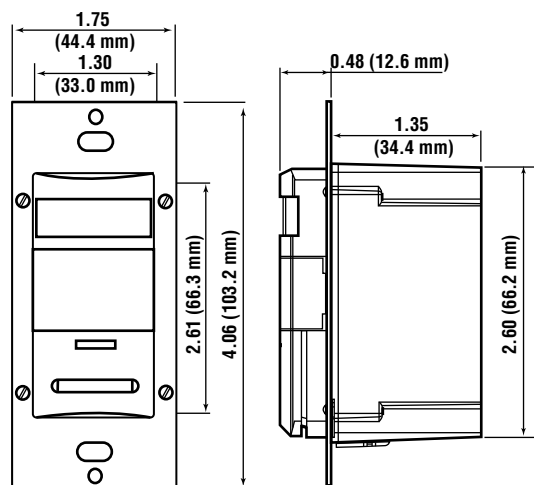


# WALL SWITCH PIR OCCUPANCY SENSOR (WS OS I)



## DIMENSIONS



**BASIC OPERATION** - Uses passive infrared (PIR) detection technology to monitor a room for occupancy through a segmented Fresnel lens. This specialized lens divides the field-of-view into sensor zones. When a person passes into or out of a sensor zone, the sensor detects motion and switches the lights ON. The lights will remain ON as long as there is an occupant moving through the sensor zones.

Can be used for automatic switching of incandescent lamps and fluorescent and low-voltage lighting with electronic or magnetic ballasts. The unit also features a manual override switch that can be used to keep lights OFF while an area is occupied, which may be desired in conference rooms and other areas during slide or film presentations. The unit installs in place of a single-pole wall switch and fits in a standard wall box. The unit requires a ground connection.

## APPLICATIONS

- Small offices
- Conference rooms
- Lounges
- Classrooms

## FEATURES

- Fits in standard wallbox and replaces single-pole wall switch. Gangable with other units.
- Low-profile design eliminates obtrusive "scanning-device" look .
- 180° field-of-view provides approximately 2100 square feet of coverage suitable for small offices, conference rooms, classrooms, lounges and a variety of commercial areas.
- Convenient pushbutton provides manual-ON/OFF light switching at any time.
- Two dual element PIR sensors used to widen detection range.
- Segmented Fresnel lens provides optimum sensitivity and performance. Designed with an extensive "minor motion" area where even slight body movements will be detected.
- Vandal resistant PIR lens.
- Patented Blinders - horizontal field-of-view may be adjusted between 180° and 60° of arc by using integral blinders located on either side of the lens. No masking tape required.
- Manual-ON/auto-OFF mode for installations where manual-ON switching is required but auto-OFF switching is still desired for CATitle 20/24 energy savings.
- To comply with CA Title 20, red LED indicator light flashes when sensor detects motion to verify detection is active.
- Time Delay adjustment for delayed-OFF time settings of 30 seconds (for walking test), 10 minutes, 20 minutes, and 30 minutes. Allows customized adjustments to maximize energy savings.
- Light Sensor Adjustable Ambient Light Override ranges from approximately 2 foot-candles (20 lux) to 500+ foot-candles (5000+ lux) to prevent lights from turning ON automatically during periods of ample natural light, increasing energy savings.
- Light sensor enables the load hold-OFF feature once level has been set.
- Vacancy confirmation - when the time out expires and the lights turn OFF a 30 second vacancy confirmation exists to turn the lights back ON.
- False detection circuitry.
- Presentation Mode feature for slide or film presentations allows push buttons to turn lights OFF and keep them OFF while the room is occupied.
- One unit can be used for 120V through 277V lighting. Compatible with both electronic and magnetic ballasts.
- Relay switches at the zero crossing point of the AC power curve to ensure maximum contact life and compatibility with electronic ballasts.
- Exclusive H.I.S. Circuitry. Specifically designed to handle today's high inrush electronic ballast loads and offer unmatched durability and service.
- No neutral design is optional for retrofit applications.



## OPTIMAL LED DESIGN

Exclusive LED High Inrush Stability (H.I.S.) circuitry designed to handle the high inrush electronic ballast loads of today's LED lighting and offer unmatched durability and service. Our true Zero-Cross Relay switches are at the zero crossing point of the AC power curve, ensuring maximum contactor life and compatibility with LED ballasts.



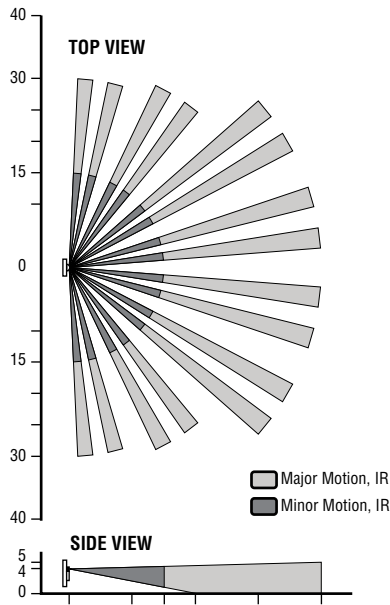
Project Name \_\_\_\_\_ Catalog # \_\_\_\_\_

1-800-436-7800 (Support, Option 8) [www.lsi-industries.com](http://www.lsi-industries.com)

© 2018  
LSI INDUSTRIES INC.

# WALL SWITCH PIR OCCUPANCY SENSOR (WS OS I)

## FIELD OF VIEW



The WS OS I provides a 180° field-of-view with a maximum coverage area of approximately 2100 square feet. The maximum sensing distance in front of the sensor is 40 feet, and at each side is 30 feet. The “minor motion” zone detects relatively small body movements and allows the lights to stay ON even though a person may not be moving or walking around the room. The remainder of the field-of-view, the “major motion” zone, exhibits a lesser degree of sensitivity and requires larger movements.

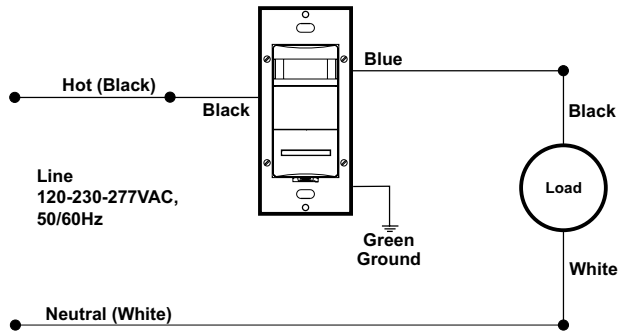
## SPECIFICATIONS

ELECTRICAL	
Line Voltage	120-230-277 VAC
Power Consumption	120V - 110mW      277V - 270mW
Operational Frequency	50/60Hz
Wire Designation	Line-Black, Load-Blue, Ground-Green. No neutral required
Load Rating	Fluorescent: 1200VA @ 120V 2700VA @ 277V Incandescent: 800W @ 120V, Motor: 1/4 HP @ 120V
ENVIRONMENTAL	
Operating Temperature Range	32°F to 122°F (0°C to 50°C)
Storage Temperature Range	-50°F to 185°F (-10°C to 85°C)
Relative Humidity	20% to 90% non-condensing
OTHER	
Listings	UL Listed/CSA Certified, Complies with CA Title 20/24, Complies with FCC Regulations, NOM
Warranty	Limited Five-Year Warranty

## ORDERING INFORMATION

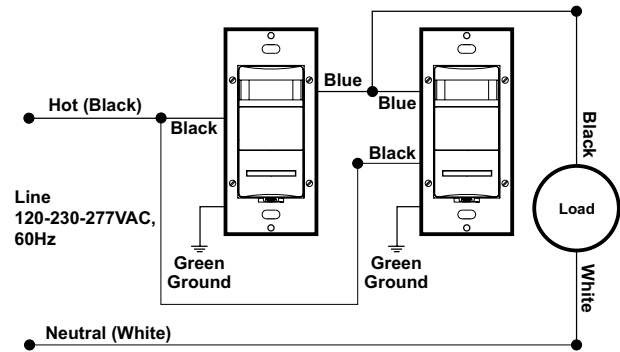
PART NO.	CAT. NO.	DESCRIPTION
596037	WS OS I WH	Wall Box PIR 180°/2100 sq. ft. manual on (120/277V) White
596039	WS OS I IV	Wall Box PIR 180°/2100 sq. ft. manual on (120/277V) Ivory

## WIRING DIAGRAMS



Note: Ground must be connected

Single Location Control



Note: Ground must be connected

Multi-Location Control



Project Name \_\_\_\_\_ Catalog # \_\_\_\_\_

1-800-436-7800 (Support, Option 8)      www.lsi-industries.com

© 2018  
LSI INDUSTRIES INC.