



Catalog # : _____ Project : _____

Prepared By : _____ Date : _____

Universal Replacement

Round Tapered



QUICK LINKS

[Ordering Guide](#)[Configurations](#)[Dimensions](#)[EPA](#)

FEATURES & SPECIFICATIONS

Pole Shaft

- Pole shaft is electro-welded ASTM-A500 Grade C steel tubing with a minimum yield strength of 50,000 psi.
- On Tenon Mount steel poles, tenon is 2-3/8" O.D. high-strength pipe. Tenon is 4-3/4" in length.

Hand-Hole

- Standard hand-hole location is 12" above pole base.
- Hand-hole size is 4" x 6" and reinforced.

Base

- Pole base is ASTM-A36 hot-rolled steel plate with a minimum yield strength of 36,000 psi.
- Two-piece square base cover is optional.

Anchor Bolts

- Steel Round Tapered poles of 11 gauge material are furnished with anchor bolts featuring zinc-plated double nuts and washers. Galvanized anchor bolts are optional.
- Poles of 7 gauge material are furnished with galvanized anchor bolts as a standard. Anchor bolts conform to ASTM F 1554-07a Grade 55 with a minimum yield strength of 55,000 psi.

Ground Lug

- Ground lug is standard.

Duplex Receptacle

- Weatherproof duplex receptacle is optional.

Ground Fault Circuit Interrupter

- Self-testing Ground fault circuit interrupter is optional.

Finishes

- Every pole is provided with the DuraGrip® Protection System and a 5-year limited warranty:
- When the top-of-the line DuraGrip® Plus Protection System is selected, in addition to the DuraGrip® Protection System, a non-porous, automotive-grade corrosion coating is applied to the lower portion of the pole interior, sealing and further protecting it from corrosion. This option extends the limited warranty to 7 years.

Determining The Luminaire/Pole Combination For Your Application:

- Measure bolt circle to determine correct base plate
- Select luminaire from luminaire ordering information
- Select bracket configuration if required
- Determine EPA value from luminaire/bracket EPA chart
- Select pole height
- Select MPH to match wind speed in the application area (See windspeed maps).
- Confirm pole EPA equal to or exceeding value of luminaire/bracket EPA
- Consult factory for special wind load requirements and banner brackets

Pole Vibration Damper

- A pole vibration damper is recommended in open terrain areas of the country where low steady state winds are common.
- Non-tapered poles and lightly loaded poles are more susceptible to destructive vibration if a damper is not installed.

Listings

- UL Listed
- BAA/TAA Compliant





Universal Replacement - Round Tapered

ORDERING GUIDE

[Back to Quick Links](#)

TYPICAL ORDER EXAMPLE: **RTPU B3 S11G 35 S PLP DGP**

Pole Series	Mounting Method	Material	Height ²	Mounting Configuration	Pole Finish	Options
RTPU - Round Tapered Pole	Bolt-On Mount¹ - See pole selection guide for patterns and fixture matches. B5 - 5" Traditional drilling pattern B3 - 3" Reduced drilling pattern B2 - 2" Reduced drilling pattern	S11G - 11 Ga. Steel S07G - 07 Ga. Steel (39' only)	20' 22' 22' 6" 25' 27' 30' 32' 35' 39'	S - Single/Parallel D180 - Double D90 - Double DN90 - Double T90 - Triple TN120 - Triple Q90 - Quad QN90 - Quad	BRZ - Bronze BLK - Black PLP - Platinum Plus WHT - White SVG - Satin Verde Green GPT - Graphite MSV - Metallic Silver BZA - Alternate Bronze	GA - Galvanized Anchor Bolts SF - Single Flood ³ DF - Double Flood ³ DGP - DuraGrip [®] Plus LAB - Less Anchor Bolts
	T - Tenon Mount .		Height Restriction, Consult Pole Selection Chart on opposite page	N - Tenon Mount (Standard tenon size is 2-3/8" O.D.)		Standard SF and DF pole preparations are located 3/4 of the height of the pole from the base, except on 20' poles. Maximum height for SF and DF pole preparations on 20' poles is 13' from the base.
	I - No Mounting Holes					

Accessory Ordering Information

Description	Order Number	Description	Order Number
20 SRTBC Square Based Cover (for 20' RTP Poles)	158388CLR	MH2 - mounting Hole Plugs for use with 2" reduced drill pattern (3 set of 3 plugs)	725841
25 SRTBC Square Based Cover (for 22', 22' 6", and 25' RTP Poles)	162961CLR	ER2 - Weatherproof RTP Duplex Receptacle	122568CLR
30 SRTBC Square Based Cover (for 27' and 30' RTP Poles)	497836CLR	GFI - Ground Fault RTP Circuit Interrupter	122569CLR
35 SRTBC Square Based Cover (for 32' and 35' RTP Poles)	158554CLR		
39 SRTBC Square Based Cover (for 39' RTP Poles)	433035CLR		
MH5 - mounting Hole Plugs for use with 5" traditional drill pattern (3 set of 3 plugs)	132336		
MH3 - mounting Hole Plugs for use with 3" reduced drill pattern (3 set of 3 plugs)	681126		

FOOTNOTES:

- 1 - See Area Light Brackets - 3" Reduced Drill Pattern and Area Light Brackets - 5" Traditional Drill Pattern spec sheets.
- 2 - Pole heights will have +/- 1/2" tolerance.
- 3 - See Flood Lighting Brackets Section for choice of FBO brackets.

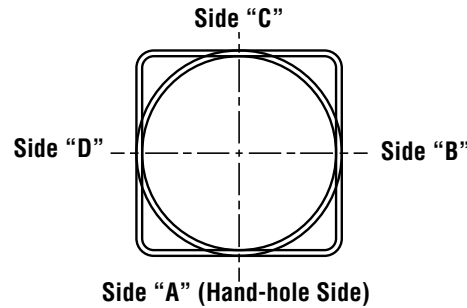


Universal Replacement - Round Tapered

DRILLING LOCATIONS

[Back to Quick Links](#)

Sides	A	B	C	D
Hand-hole	X			
Single	X			
D180		X		X
D90	X			X
DN90 ¹				
T90	X	X		X
TN120 ²				
Q90	X	X	X	X
QN90 ³				
Single FBO	X			
Double FBO		X		X

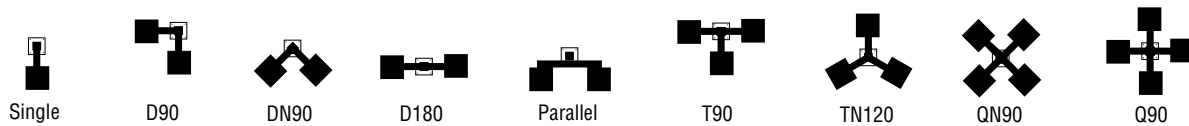


NOTES:

- 1 - Two locations will be 45° to the left and right of Side A.
- 2 - Other two locations will be 120° to the left and right of Side A.
- 3 - Two locations will be 45° to the left and right of Side A and two locations will be 135° to the left and right of Side A.

Consult factory for custom variations. Standard SF and DF pole preparations are located 3/4 of the height of the pole from the base, except on 20' poles. Maximum height for SF and DF pole preparations on 20' poles is 13' from the base.

FIXTURE CONFIGURATIONS



BOLT CIRCLE

	20' RTP 9-7/8" (251mm) sq.	25' RTP 11-1/4" (286mm) sq.	30' RTP 12" (305mm) sq.	35' RTP 12-1/8" (308mm) sq.	39' RTP 13" (330mm) sq.	39' RTP 14-3/8" (365mm) sq.
	11" (279mm) Dia. Bolt Circle	13" (330mm) Dia. Bolt Circle	14" (356mm) Dia. Bolt Circle	13-1/2" (343mm) Dia. Bolt Circle	14-1/2" (368mm) Dia. Bolt Circle	16" (406mm) Dia. Bolt Circle
Bolt Circle Designator	T	U	V	W	X	Y
Bolt Circle	Slotted 8-1/2" - 11" (216mm-279mm)	Slotted 9" - 13" (229mm-330mm)	Slotted 10" - 14" (254mm-356mm)	Slotted 11" - 13-1/2" (279mm-343mm)	Slotted 11-1/2" - 14-1/2" (292mm-368mm)	Slotted 12" - 16" (305mm-406mm)
Anchor Bolt Size	1" x 36" (25mm-914mm)	1" x 36" (25mm-914mm)	1" x 36" (25mm-914mm)	1" x 36" (25mm x 914mm)	1" x 36" (25mm x 914mm)	1-1/4" x 42" (32mm x 1067mm)
Anchor Bolt Projection	4" (102mm)	4" (102mm)	4" (102mm)	4" (102mm)	4" (102mm)	5" (127mm)
Base Plate Opening for Wireway Entry	5-9/10" (150mm)	6-7/10" (171mm)	7-5/8" (194mm)	8-5/8" (219mm)	9-1/8" (232mm)	9-1/8" (232mm)
Base Plate Dimensions	9-7/8" sq. x 1" thk. (251mm x 25mm)	11-1/4" sq. x 1" thk. (286mm x 25mm)	12" sq. x 1" thk. (305mm x 25mm)	12-1/8" sq. x 1" thk. (308mm x 25mm)	13" sq. x 1" thk. (330mm x 25mm)	14-3/8" sq. x 1-1/4" thk. (365mm x 32mm)
Pole Gauge	11	11	11	11	11	7 (39' Only)

Note: Base plate illustrations may change without notice. Do not use for setting anchor bolts. Consult factory for the appropriate anchor bolt template.



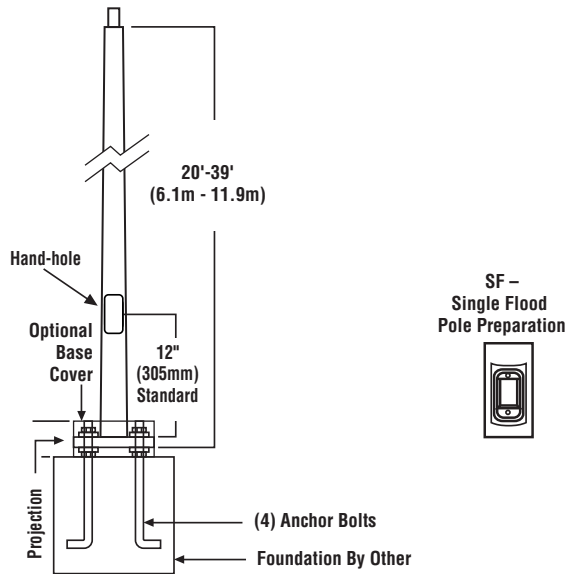


Universal Replacement - Round Tapered

PRODUCT DIMENSIONS

ONE-PIECE RTPT -

N = 2-3/8" (60mm) O.D. x 4-3/4" (121mm) Tenon

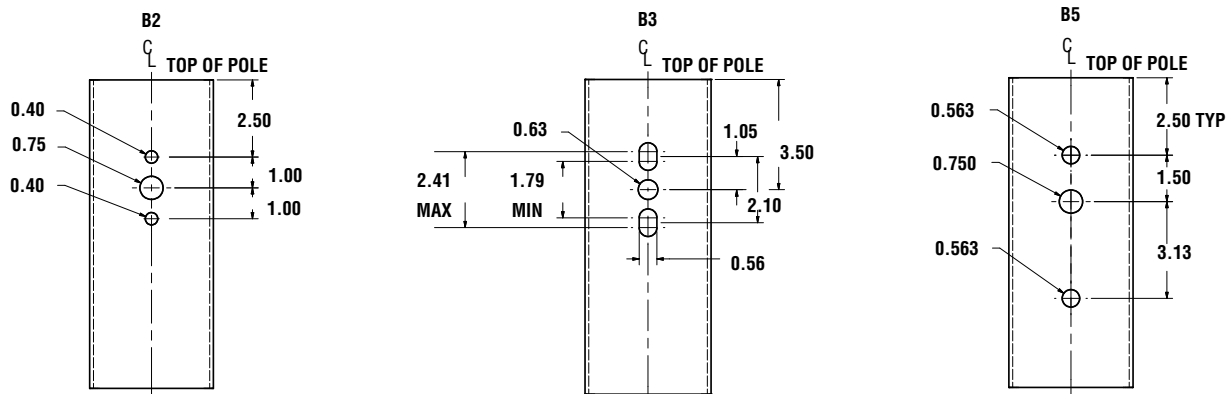


SHIPPING WEIGHTS

20' (6.1m) S11 Ga. is approximately	137 lbs. (62kg)
22' (6.7m) S11 Ga. is approximately	165 lbs. (75kg)
25' (7.6m) S11 Ga. is approximately	183 lbs. (83kg)
27' (8.2m) S11 Ga. is approximately	219 lbs. (99kg)
30' (9.1m) S11 Ga. is approximately	234 lbs. (106kg)
32' (9.7m) S11 Ga. is approximately	286 lbs. (130kg)
35' (10.7m) S11 Ga. is approximately	310 lbs. (141kg)
39' (11.9m) S11 Ga. is approximately	346 lbs. (157kg)
39' (11.9m) S07 Ga. is approximately	527 lbs. (239kg)
Anchor Bolts (1" x 36")(25mm x 914mm)	30 lbs. (14kg)/set
Anchor Bolts (1-1/4" x 42")(32mm x 1069mm)	63 lbs. (29kg)/set

ONE-PIECE SHAFT		
Height	Pole Bottom	Pole Top
20' (6.1m)	5.80" (147mm)O.D.	3.00" (76mm)O.D.
22' (6.1m)	6.60" (168mm)O.D.	3.52" (89mm)O.D.
25' (7.1m)	6.60" (168mm)O.D.	3.10" (79mm)O.D.
27' (8.2m)	7.50" (191mm)O.D.	3.72" (94mm)O.D.
30' (9.1m)	7.50" (191mm)O.D.	3.30" (84mm)O.D.
32' (9.7m)	8.50" (216mm)O.D.	4.02" (102mm)O.D.
35' (10.7m)	8.50" (216mm)O.D.	3.60" (91mm)O.D.
39' (11.9m)	9.00" (229mm)O.D.	3.54" (90mm)O.D.

BOLT-ON MOUNT 2-BOLT PATTERN





Universal Replacement - Round Tapered

WIND SPEED

EPA Information

All LSI Industries' poles are guaranteed to meet the EPA requirements listed. LSI Industries is not responsible if a pole order has a lower EPA rating than the indicated wind-loading zone where the pole will be located.

CAUTION: This guarantee does not apply if the pole/bracket/fixture combination is used to support any other items such as flags, pennants, or signs, which would add stress to the pole. LSI Industries cannot accept responsibility for harm or damage caused in these situations.

NOTE: Pole calculations include a 1.3 gust factor over steady wind velocity. Example: poles designed to withstand 80 MPH steady wind will withstand gusts to 104 MPH. EPAs are for locations 100 miles away from hurricane ocean lines. Consult LSI for other areas. Note: Hurricane ocean lines are the Atlantic and Gulf of Mexico coastal areas. For applications in Florida or Canada, consult factory.

Use ONLY with "Wind Speed Map for ASCE 7-10"

POLE ¹	Mtg. Height Length (ft)	Wall Thick (ga)	BOLT CIRCLE			EPA								
			Designator	Dia. (in)	Anchor bolt Dia (in)	110 MPH	115 MPH	120 MPH	130 MPH	140 MPH	150 MPH	160 MPH	170 MPH	180 MPH
11-ga x 20'	20	11	T	8.5"	0.75	14.2	12.9	11.8	9.8	8.4	7.1	6.2	5.4	4.7
11-ga x 20'	20	11	T	9.5"	0.75	14.4	13.1	12.0	10.0	8.5	7.2	6.4	5.5	4.9
11-ga x 20'	20	11	T	11"	0.75	14.6	13.2	12.0	10.0	8.6	7.3	6.4	5.5	4.9
11-ga x 20'	20	11	T	8.5"	1	14.6	13.2	12.0	10.0	8.6	7.3	6.4	5.5	4.9
11-ga x 20'	20	11	T	11"	1	14.6	13.2	12.0	10.0	8.6	7.3	6.4	5.5	4.9
11-ga x 22'	22	11	U	9"	0.75	13.0	11.8	10.6	9.0	7.6	6.5	5.6	4.9	4.3
11-ga x 22'	22	11	U	11"	0.75	16.6	15.0	13.9	11.6	9.9	8.5	7.4	6.4	5.6
11-ga x 22'	22	11	U	13"	0.75	16.6	15.0	13.9	11.6	9.9	8.5	7.4	6.4	5.6
11-ga x 22'	22	11	U	9"	1	16.6	15.0	13.9	11.6	9.9	8.5	7.4	6.4	5.6
11-ga x 22'	22	11	U	13"	1	16.6	15.0	13.9	11.6	9.9	8.5	7.4	6.4	5.6
11-ga x 25'	25	11	U	9"	0.75	10.0	9.0	8.2	6.8	5.7	4.8	4.1	3.6	3.1
11-ga x 25'	25	11	U	11"	0.75	13.1	12.0	10.9	9.1	7.6	6.6	5.6	4.9	4.3
11-ga x 25'	25	11	U	13"	0.75	13.1	12.0	10.9	9.1	7.6	6.6	5.6	4.9	4.3
11-ga x 25'	25	11	U	9"	1	13.1	12.0	10.9	9.1	7.6	6.6	5.6	4.9	4.3
11-ga x 25'	25	11	U	13"	1	13.1	12.0	10.9	9.1	7.6	6.6	5.6	4.9	4.3
11-ga x 27'	27	11	V	10"	0.75	10.0	9.0	8.2	6.8	5.7	4.8	4.1	3.5	3.1
11-ga x 27'	27	11	V	12"	0.75	13.0	11.8	10.6	8.9	7.5	6.4	5.5	4.8	4.1
11-ga x 27'	27	11	V	14"	0.75	15.9	14.3	13.0	11.0	9.3	7.9	6.8	6.0	5.2
11-ga x 27'	27	11	V	10"	1	13.3	12.2	11.0	9.2	7.7	6.6	5.7	4.9	4.3
11-ga x 27'	27	11	V	12"	1	15.9	14.3	13.0	11.0	9.3	7.9	6.8	6.0	5.2
11-ga x 27'	27	11	V	14"	1	15.9	14.3	13.0	11.0	9.3	7.9	6.8	6.0	5.2
11-ga x 30'	30	11	V	10"	0.75	7.8	7.0	6.3	5.1	4.3	3.6	3.0	2.5	2.1
11-ga x 30'	30	11	V	12"	0.75	10.4	9.4	8.4	7.0	5.8	4.9	4.2	3.6	3.1
11-ga x 30'	30	11	V	14"	0.75	13.0	11.7	10.6	8.8	7.4	6.3	5.4	4.7	4.0
11-ga x 30'	30	11	V	10"	1	10.8	9.8	8.8	7.3	6.1	5.1	4.4	3.8	3.3
11-ga x 30'	30	11	V	12"	1	13.0	11.7	10.6	8.8	7.4	6.3	5.4	4.6	4.0
11-ga x 30'	30	11	V	14"	1	13.0	11.7	10.6	8.8	7.4	6.3	5.4	4.6	4.0
11-ga x 32'	32	11	W	11"	1	11.0	9.9	8.9	7.4	6.2	5.2	4.4	3.8	3.3
11-ga x 32'	32	11	W	12"	1	12.4	11.2	10.0	8.4	7.1	6.0	5.1	4.4	3.8
11-ga x 32'	32	11	W	13.5"	1	14.4	13.2	12.0	10.0	8.4	7.2	6.1	5.3	4.6
11-ga x 35'	35	11	W	11"	1	8.8	7.8	7.0	5.8	4.8	4.0	3.4	2.8	2.4
11-ga x 35'	35	11	W	12"	1	10.0	9.0	8.1	6.8	5.6	4.7	4.0	3.4	2.9
11-ga x 35'	35	11	W	13.5"	1	12.1	10.9	9.9	8.1	6.8	5.8	4.9	4.2	3.6
11-ga x 39'	39	11	X	11.5"	1	7.0	6.3	5.6	4.5	3.7	3.0	2.5	2.0	1.7
11-ga x 39'	39	11	X	12.5"	1	8.1	7.4	6.6	5.4	4.4	3.6	3.0	2.5	2.1
11-ga x 39'	39	11	X	14.5"	1	10.5	9.5	8.5	7.0	5.8	4.8	4.1	3.5	3.0
7-ga x 39'	39	7	Y	12"	1.25	10.2	9.2	8.3	6.8	5.6	4.7	4.0	3.4	2.9
7-ga x 39'	39	7	Y	14"	1.25	13.0	11.7	10.6	8.7	7.3	6.1	5.3	4.5	3.9
7-ga x 39'	39	7	Y	16"	1.25	15.6	14.2	12.9	10.7	9.0	7.7	6.5	5.6	4.9

All LSI Industries' poles are guaranteed to meet the EPA requirements listed. LSI Industries is not responsible if a pole order has a lower EPA rating than the indicated wind-loading zone where the pole will be located.

CAUTION: This guarantee does not apply if the pole/bracket/fixture combination is used to support any other items such as flags, pennants, or signs, which would add stress to the pole. LSI Industries cannot accept responsibility for harm or damage caused in these situations.

Note:

1- Poles shorter than these listed here in for each gauge have EPA rating equal to or greater than what is provided in this table. To Confirm EPA ratings on shorter poles, contact LSI Industries.

