



Scottsdale® (SCM)

Petroleum Canopy Series



OVERVIEW

Lumen Package (lm)	7,000 - 20,000
Wattage Range (W)	56 - 147
Efficacy Range (LPW)	122 - 153
Weight lbs (kg)	17.5 (7.9)
Controls	ALBMR, ALBCS, IMSBTxL

QUICK LINKS

FEATURES & SPECIFICATIONS

Construction

- Rugged low-profile die-cast aluminum housing.
- Low profile 2" luminaire height and lightweight design target a broad range of applications and allow for easy installations.
- Below canopy access to optical chamber and driver housing for serviceability
- Fixtures are finished with a polyester powder coat to withstand extreme weather changes without cracking or peeling.
- Shipping weight: 17.5 lbs in carton.
- Suitable for wet locations.

Optical System

- Symmetrical distribution directs uniform light through a clear tempered glass lens with a diamond pattern on one side and smooth on the other for a soft focus effect.
- Available in 5000K, 4000K and 3000K color temperatures per ANSI C78.377.
- Minimum CRI of 70.

Electrical

- High-performance factory programmable driver features over-voltage, under voltage, short-circuit and over temperature protection with integral 6kV surge protection that meets IEEE C62.41.2 and ANSI C82.77 -5 Location Category C Low standards. Optional 10kV surge protection meets Category C Medium location as per IEEE C62.41.2.
- 0-10 volt dimming (10% - 100%) standard.
- Standard Universal Voltage (120-277 VAC) Input 50/60 Hz or optional High Voltage (347-480V).
- LM80 Calculated Life: >100k Hours (See Lumen Maintenance chart)

- Total harmonic distortion: <20%
- Operating temperature: -40°C to +50°C (-40°F to +122°F) when mounted to Steel/ Aluminum surfaces. If mounted to a non-metallic surface, reduce ambient by 10°C.
- Power factor: >0.90
- Input power stays constant over life.
- High-efficacy LEDs with integrated circuit board mount to the housing to maximize heat dissipation and promote long life.
- Driver components are fully encased in potting material for moisture resistance. Driver complies with FCC standards.
- Hazardous Location
- Designed for lighter than air fuel applications. Product is suitable for Class 1, Division 2 with all lumen packages and distributions only when properly installed per LSI installation instructions. Models with optional controls are not approved for Class 1, Division 2 applications.
 - Gas Groups A, B, C and D - Group A: Acetylene / Group B: Hydrogen / Group: Propane and Ethylene / Group D: Benzene, Butane, Methane and Propane.
- T5 Temperature Classification - The surface temperature of this product will not rise above 100°C., within a 40°C ambient.

Installation (Standard)

- Installs in a 12" or 16" deck pan.
- Deck penetration consists of a minimum 3" hole and four suitable fasteners, creating a simple installation. Four fasteners are provided with the fixture for use in single deck, metallic canopy substrates only when classified as suitable for use by installing professional. Otherwise, suitable fasteners should be provided by others.

- Unit is designed to quickly retrofit into existing Scottsdale (4") hole.
- Aluminum locking collar, stem kit and gasket are included and required for complete seal and support of canopy deck.
- Retrofit panels are available for existing Encore, Richmond, 2x2 Universal, and more (see accessories section).

Installation (REDiMount)

- Patent pending 3 piece quick mounting system; components include collar, capsule and connector.
- Designed to reduce canopy penetrations and increase installation efficiency.
- Installs in 12" or 16" deck pan.

Warranty

- LSI luminaires carry a 5-year limited warranty. Refer to <https://www.lsicorp.com/resources/terms-conditions-warranty/> for more information.

Listing

- Listed to UL 1598 and UL 8750.
- Meets Buy American Act requirements.
- IP66 Rated Luminaire
- State of California Title 24 Compliant with IMSBT option.
- DesignLights Consortium® (DLC) Premium qualified product. Not all versions of this product may be DLC Premium qualified. Please check the DLC Qualified Products List at www.designlights.org/QPL to confirm which versions are qualified.

Scottsdale® (SCM) Petroleum Canopy Series

Type : _____

 Have questions? Call us at (800) 436-7800

ORDERING GUIDE

TYPICAL ORDER EXAMPLE: SCM LED 13L SC UNV DIM 50 WHT ALBCS1 REDI									
Prefix	Light Source	Lumen Package	Distribution	Voltage	Driver	Color Temperature	Finish	Options	Mounting
SCM - Petroleum Canopy Series	LED	8L - 8,000 13L - 13,000 15L - 15,000 20L - 20,000	SC - Standard Symmetric	UNV - Universal Voltage (120-277VAC) HV - High Voltage (347-480V) ¹	DIM - 0-10V Dimming ²	30 - 3000K 40 - 4000K 50 - 5000K	WHT - White BLK - Black BRZ - Bronze	Blank - None ALBMR1 - AirLink Blue Multi Range Motion and Photo Sensor (8-15' mounting height) ALBCS2 - AirLink Blue Wireless Motion & Photo Sensor (16-40' mounting height) IMSBT1L - Integral Bluetooth™ Motion and Photocell Sensor (8-24' mounting height) ³ IMSBT2L - Integral Bluetooth™ Motion and Photocell Sensor (25-40' mounting height) ³ SP1 - Surge Protection 10KV HL - Hazardous Location Class 1 Div 2	Blank - None REDI - REDIMount integrated junction box system ⁴
For a car wash solution see SCM SE Car Wash Series spec sheet									



Need more information?
[Click here for our glossary](#)

Have additional questions?
Call us at (800) 436-7800



ACCESSORY ORDERING INFORMATION

Part Number	Description
731039	Retrofit Panel Kit - EC / ECTA / SCF to SCM, for 16" Deck Panel with larger openings ⁵
731040	Retrofit Panel Kit - EC / ECTA / SCF to SCM, for 12" Deck Panel with larger openings ⁶
731041	Retrofit Panel Kit - RECU Richmond to SCM
731042	Retrofit Panel Kit - UNV Universal 2x2 to SCM
357282	Retrofit 2x2 Cover Panel Blank (no holes)
354702	Retrofit RIC Cover Panel Blank (no holes)

Part Number	Description
687461	Junction Box
1320540	Kit - Hole Plugs and Sealant (enough for 25 retrofits)
564160WHT	26" X 32" Beauty Plate Kit (with 4" Center hole)
557193WHT	26" X 26" Beauty Plate Kit (with 4" Center hole)
731044WHT	Rectangular Hole Kit (includes top plate and sealant)
731043	Surface Mount Box

PERFORMANCE

Delivered Lumens ⁷												
Lumen Package	Distribution	3000K			4000K			5000K			Wattage	
		Delivered Lumens	Efficacy	BUG Rating	Delivered Lumens	Efficacy	BUG Rating	Delivered Lumens	Efficacy	BUG Rating		
8L	SC	7,010	125	B2-U0-G1	7,983	145	B3-U0-G1	7,983	145	B3-U0-G1	56	
13L	SC	11,758	137	B3-U0-G1	13,039	153	B3-U0-G1	13,039	153	B3-U0-G1	86	
15L	SC	13,927	125	B3-U0-G1	15,630	141	B3-U0-G1	15,630	141	B3-U0-G1	111	
20L	SC	17,968	122	B4-U0-G1	19,989	137	B4-U0-G2	19,989	137	B4-U0-G2	147	

Electrical Data - Current Draw AMPS ⁸							
Lumen Package	Wattage	120V	208V	240V	277V	347V	480V
8L	56	0.47	0.27	0.23	0.20	0.16	0.12
13L	86	0.72	0.41	0.36	0.31	0.25	0.18
15L	111	0.93	0.53	0.46	0.40	0.32	0.23
20L	147	1.23	0.71	0.61	0.53	0.42	0.31

Recommended Lumen Maintenance - SCM 20L ⁹					
Ambient Temperature	Initial ¹⁰	25K hrs. ¹⁰	50K hrs. ¹⁰	75K hrs. ¹¹	100K hrs. ¹¹
25	100%	95%	90%	85%	80%
30	100%	95%	89%	84%	79%
35	100%	94%	89%	83%	78%
40	100%	94%	88%	83%	77%
45	100%	94%	87%	82%	76%
50	100%	93%	87%	81%	75%

1 HL not compatible with AirLink, IMSBT, 3000K, or REDIMount.

2 0-10 low voltage wired dimming not available with REDIMount.

3 IMSBT is field configurable via the LSI app that can be downloaded from your smartphone's native app store. IMSBT not available in Hazardous Locations.

4 Light fixture engine ships with REDIMount attached.

5 Ideal for 9" to 12" openings.

6 Ideal for 9" openings.

7 LED Chips are frequently updated therefore values are nominal.

8 Electrical data at 25°C (77°F). Actual wattage may differ by +/-10%.

9 Lumen maintenance values at 25 °C are calculated per TM-21 based on LM-80 data and in-situ luminaire testing.

10 In accordance with IESNA TM-21-II, Projected Values represent interpolated value based on time durations that are within six times (6X) the IESNA LM-80-08 total test duration (in hours) for the device under testing (DUT) i.e. the packaged LED chip.

11 Lumen maintenance values at 25°C are calculated per TM-21 based on LM-80 data and in-situ testing times the IESNA LM-80-08 total test duration for the device under testing.

PHOTOMETRICS

Luminaire photometry has been conducted by a NVLAP accredited testing laboratory in accordance with IESNA LM-79-08. As specified by IESNA LM-79-08 the entire luminaire is tested as the source resulting in a luminaire efficiency of 100%.

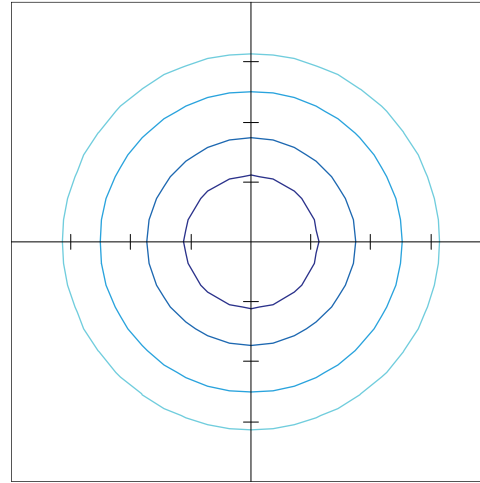
See the individual product page on <https://www.lsicorp.com/> for detailed photometric data.

SCM-LED-13L-SC-50

Luminaire Data	
Wide Distribution	
Description	5,000 Kelvin, 70 CRI
Delivered Lumens	13,039
Watts	84.7
Efficacy	154
IES Type	Type VS - Very Short
BUG Rating	B3-U0-G1

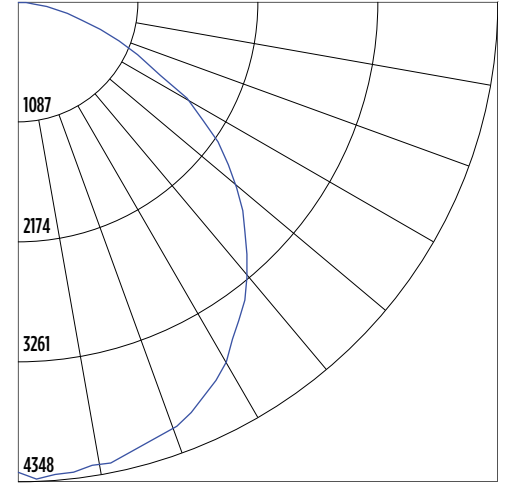
Zonal Lumen Summary		
Zone	Lumens	% Luminaire
Low (0-30°)	3,479.6	26.7%
Medium (30-60°)	7,109.8	54.5%
High (60-80°)	2,334.8	17.9%
Very High (80-90°)	114.4	0.9%
Uplight (90-180°)	0.0	0.0%
Total Flux	13,038.6	100%

ISO Footcandle



20' Mounting Height / 10' Grid Spacing
 ■ 10 FC ■ 5 FC ■ 2 FC ■ 1 FC

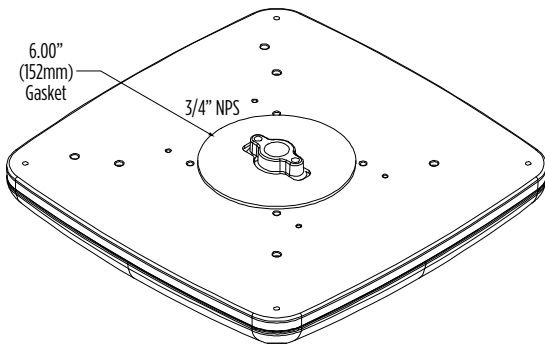
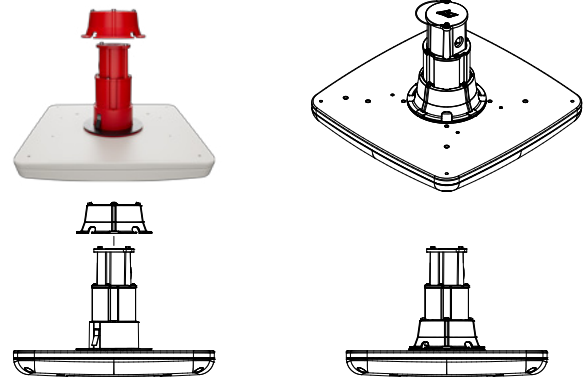
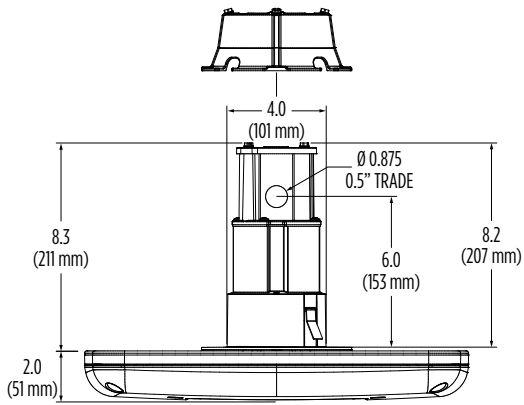
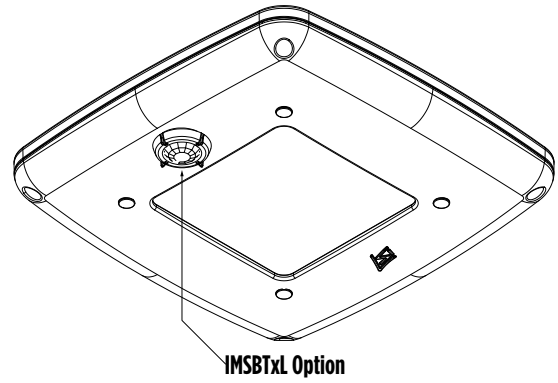
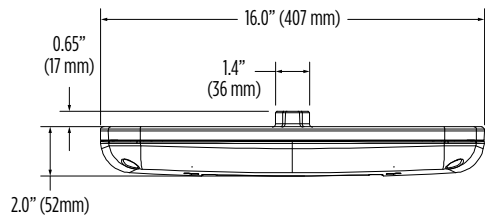
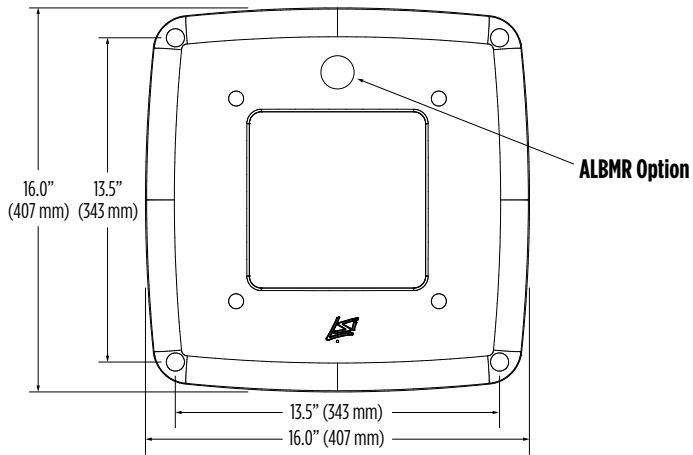
Polar Curve



■ Vertical Plane

1 IMSBT is field configurable via the LSI app that can be downloaded from your smartphone's native app store. IMSBT not available in Hazardous Locations.

PRODUCT DIMENSIONS



CONTROLS

Integral Bluetooth™ Motion and Photocell Sensor (IMSBT1L, IMSBT2L)

Slim low profile sensor provides multi-level control based on motion and/or daylight. Sensor controls 0-10 VDC LED drivers and is rated for cold and wet locations (-30° C to 70° C). Two unique PIR lenses are available and used based on fixture mounting height. All control parameters are adjustable via an iOS or Android App capable of storing and transmitting sensor profiles.

[Click here to learn more details about IMSBT](#)

AirLink Blue (ALBMR1, ALBCS1, ALBCS2)

Wireless Bluetooth Mesh Lighting Control System that provides energy savings, code compliance and enhanced safety/security. Three key components; Bluetooth wireless radio/sensor controller, Time Keeper and an App. Capable of grouping multiple fixtures and sensors as well as scheduling time-based events by zone. Radio/Sensor Controller is factory integrated into luminaires.

[Click here to learn more details about AirLink Blue](#)

RETROFIT KITS

LSI Industries offers a full line of Retrofit Kits for existing Encore, Richmond, 2x2 Universal and many more older canopy luminaires.

[Click here to learn more details on all our Retrofit Kits](#)