



# Mirada (MPP)

## Outdoor LED Post Top



OVERVIEW	
Lumen Package (lm)	10,000 - 25,000
Wattage Range (W)	67 - 191
Efficacy Range (LPW)	131 - 164
CCT (K)	3000, 4000, 5000
Weight lbs (kg)	55 (25)

### QUICK LINKS

## FEATURES & SPECIFICATIONS

### Construction

- Rugged die-cast aluminum optical housing, cage, and fitter. Fitter contains factory pre-wired drivers and optional controls.
- Complete die-cast aluminum construction for maximum quality and surface finish.
- 1-PC die-cast aluminum cage with wire passages allows for IP66 full luminaire rating to protect integral components from harsh environments.
- Fixtures are finished with LSI's DuraGrip® polyester powder coat finishing process. The DuraGrip finish withstands extreme weather changes without cracking or peeling. Other standard LSI finishes available. Consult factory.

### Optical System

- State-of-the-Art one piece silicone optic sheet delivers industry leading optical control with an integrated gasket.
- Proprietary silicone refractor optics provide exceptional coverage and uniformity in IES Types 2, 3, 5W, FT.
- Silicone optical material does not yellow or crack with age and provides a typical light transmittance of 93%.
- Available in 5000K, 4000K, and 3000K color temperatures per ANSI C78.377.
- Minimum CRI of 70
- Integral louver (IL) and house-side shield (IH) options available for improved backlight control without sacrificing street side performance. See page 7 for more details.

- Minimal uplight with less than 5% of the total lumen output going above 90°.

### Electrical

- High-performance programmable driver features over-voltage, undervoltage, short-circuit and over temperature protection. Custom lumen and wattage packages available.
- 0-10V dimming (10% - 100%) standard.
- Standard Universal Voltage (120-277 Vac) Input 50/60 Hz or optional High Voltage (347-480 Vac).
- L92 Calculated Life: >100K Hours (See Lumen Maintenance on Page 3)
- Total harmonic distortion: <20%
- Operating temperature: -40°C to +50°C (-40°F to +122°F). 72L Package is limited to 40°C.
- Power factor: >.90
- Input power stays constant over life.
- Field replaceable surge protection device meets a minimum Category C Low operation (per ANSI/IEEE C62.41.2).
- High-efficacy LEDs mounted to metal-core circuit board to maximize heat dissipation
- Components are fully encased in potting material for moisture resistance. Driver complies with FCC standards.
- Internal power supplies and controls can be serviced via (2) integral fitter removable power trays.

### Installation

- Designed to mount to 2-3/8"-3" OD x 3" to 4-1/2" tall tenon.
- Secures to tenon with 8 stainless steel set screws.
- 6' wire leads with strain relief zip-ties are provided in fitter for ease of wiring.

### Warranty

- LSI luminaires carry a 5-year limited warranty. Refer to <https://www.lsicorp.com/resources/terms-conditions-warranty/> for more information.

### Listings

- Listed to UL 1598 and UL 8750.
- Title 24 Compliant; see local ordinance for qualification information.
- Suitable for wet Locations
- IP66 rated Luminaire per IEC 60598.
- 3G rated for ANSI C136.31 high vibration applications.
- IK08 rated luminaire per IEC 66262 mechanical impact code.
- DesignLights Consortium® (DLC) qualified product. Not all versions of this product may be DLC qualified. Please check the DLC Qualified Products List at [www.designlights.org/QPL](http://www.designlights.org/QPL) to confirm which versions are qualified.

## ORDERING GUIDE

### TYPICAL ORDER EXAMPLE: MPP LED 10L SIL 5W UNV DIM 40 70CRI ALSC BLK

Prefix	Light Source	Lumen Package	Light Output	Distribution	Voltage	Driver
MPP - Mirada Post Top Pedestrian Scale	LED	10L - 10,000 lm 15L - 15,000 lm 20L - 20,000 lm 25L - 25,000 lm  Consult factory for programmable wattages and lumen packages <sup>9</sup>	SIL - Silicone	2 - Type 2 3 - Type 3 FT - Type 4 Forward Throw 5W - Type 5 Wide	UNV - Universal Voltage (120-277V) HV - High Voltage (347-480V)	DIM - 0-10V Dimming (0-10%)

Color Temp	Color Rendering	Controls (Choose One)	Finish	Options
50 - 5,000 CCT 40 - 4,000 CCT 30 - 3,000 CCT 27 - 2,700 CCT <sup>9</sup>	70CRI - 70 CRI 80CRI - 80 CRI <sup>9</sup>	<u>(Blank)</u> - None  <b>Wireless Controls System</b> ALSC - AirLink Synapse Control System ALSCH - AirLink Synapse Control System Host/Satellite  <b>Stand-Alone Controls</b> EXT - 0-10v Dimming (from external signal) CR7P - 7 Pin Control Receptacle ANSI C136.41 <sup>2</sup>	BLK - Black BRZ - Dark Bronze GMG - Gun Metal Gray GPT - Graphite MSV - Metallic Silver PLP - Platinum Plus SVG - Satin Verde Green WHT - White	<u>(Blank)</u> - None  IH - Integral House Side Shield <sup>2</sup> IL - Integral Louver (Sharp Spill Light Cutoff) <sup>2</sup>



Need more information?  
Click here for our glossary

**Have additional questions?**  
Call us at (800) 436-7800



## ACCESSORY ORDERING INFORMATION<sup>3</sup>

### Controls Accessories

Part Number	Description
122514	PC120 Photocell for use with CR7P option (120V) <sup>4</sup>
122515	PC208-277 Photocell for use with CR7P option (208V, 240V, 277V) <sup>4</sup>
122516	Twist Lock Photocell (347V) for use with CR7P <sup>4</sup>
1225180	Twist Lock Photocell (480V) for use with CR7P <sup>4</sup>
663284CLR	PMOS24 -24V Pole-Mount Occupancy Sensor <sup>5,6</sup>
61409	AirLink 5 Pin Twist Lock Controller <sup>4</sup>
661410	AirLink 7 Pin Twist Lock Controller <sup>4</sup>
149328	Shorting Cap for use with CR7P <sup>4</sup>

### Fusing Information<sup>7</sup>

Part Number	Description
FK120	Single Fusing (120V)
FK277	Single Fusing (277V)
DFK240	Double Fusing (208V,240V)
DFK347	Double Fusing (347V)
DFK480	Double Fusing (480V)

### Mounting Accessories

Part Number	Description
693664CLR	WM Wall Mount Bracket <sup>5</sup>
693665CLR	BK MPT B0 Mount <sup>5</sup>
694638CLR	Internal Tenon Adapter For 4" Square Pole <sup>5</sup>
694641CLR	Internal Tenon Adapter 5" Square Pole <sup>5</sup>
694642CLR	Internal Tenon Adapter 6" Square Pole <sup>5</sup>
694643CLR	External Tenon Adapter 3" Round Pole <sup>5</sup>
694644CLR	External Tenon Adapter 3-1/2" Round Tapered Pole <sup>5</sup>
694645CLR	External Tenon Adapter 4" Round Tapered Pole <sup>5</sup>

### Shielding Accessories<sup>2</sup>

Part Number	Description
743417	IH - Integral House Side Shield
743423	IL - Integral Louver (Sharp Spill Light Cutoff)

1 - Control device or shorting cap must be ordered separately. See Accessory Ordering Information.

2 - Not available with 5W distribution

3 - Accessories are shipped separately and field installed.

4 - Factory installed CR7P option required. See Options.

5 - "CLR" denotes finish. See Finish options.

6 - Only available with ALSCH/ALSCH control options.

7 - Fusing must be located in hand hole of pole.

8 - Custom lumen and wattage packages available consult factory. Values are within industry standard tolerances but not DLC listed.

9 - Consult factory for lead time and availability.

# Mirada (MPP) Outdoor LED Post Top

Type : \_\_\_\_\_

 Have questions? Call us at (800) 436-7800

## PERFORMANCE

Delivered Lumens*												
Lumen Package	Distribution	CRI	3000K CCT			4000K CCT			5000K CCT			Wattage
			Delivered Lumens	Efficacy	BUG Rating	Delivered Lumens	Efficacy	BUG Rating	Delivered Lumens	Efficacy	BUG Rating	
10L	2	70	10259	153	B2-U3-G2	10685	159	B2-U3-G2	10513	157	B2-U3-G2	67
	3		10535	157	B2-U3-G2	10973	164	B2-U3-G2	10796	161	B2-U3-G2	
	5W		10136	151	B3-U3-G2	10557	158	B3-U3-G2	10387	155	B3-U3-G2	
	FT		10385	155	B3-U3-G2	10817	161	B3-U3-G2	10643	159	B3-U3-G2	
15L	2	70	14783	145	B3-U4-G3	15397	151	B3-U4-G3	15149	149	B3-U4-G3	102
	3		15181	149	B3-U3-G3	15812	155	B3-U3-G3	15557	153	B3-U3-G3	
	5W		14605	143	B4-U3-G2	15212	149	B4-U3-G2	14967	147	B4-U3-G2	
	FT		14964	147	B3-U3-G3	15586	153	B3-U3-G3	15335	150	B3-U3-G3	
20L	2	70	20226	136	B3-U4-G3	21067	141	B3-U4-G3	20728	139	B3-U4-G3	149
	3		20771	139	B3-U4-G3	21634	145	B3-U4-G3	21285	143	B3-U4-G3	
	5W		19983	134	B4-U4-G3	20814	140	B4-U4-G3	20479	137	B4-U4-G3	
	FT		20475	137	B3-U4-G3	21326	143	B3-U4-G3	20983	141	B3-U4-G3	
25L	2	70	25250	132	B4-U4-G3	26299	137	B4-U4-G3	25876	135	B4-U4-G3	191
	3		25929	136	B3-U4-G4	27007	141	B3-U4-G4	26572	139	B3-U4-G4	
	5W		24947	131	B5-U4-G3	25983	136	B5-U4-G3	25565	134	B5-U4-G3	
	FT		25560	134	B3-U4-G4	26622	139	B3-U4-G4	26193	137	B3-U4-G4	

\*LEDs are frequently updated therefore values are nominal.

Electrical Data (Amps)*						
Lumens	120V	208V	240V	277V	347V	480V
10L	0.56	0.32	0.28	0.24	0.19	0.14
15L	0.85	0.49	0.43	0.37	0.29	0.21
20L	1.24	0.72	0.62	0.54	0.43	0.31
25L	1.59	0.92	0.80	0.69	0.55	0.40

\*Electrical data at 25C (77F). Actual wattage may differ by +/-10%

Recommended Lumen Maintenance <sup>1</sup>					
Ambient	Lumen Multiplier				
C	0hrs. <sup>2</sup>	25h <sup>2</sup>	50hr <sup>2</sup>	75hr <sup>2</sup>	100hr <sup>2</sup>
0 C - 40 C	100%	98%	95%	93%	90%

1 - Lumen maintenance values at 25°C are calculated per TM-21 based on LM-80 data and in-situ luminaire testing.

2 - In accordance with IESNA TM-21-11, Projected Values represent interpolated value based on time durations that are within six times (6X) the IESNA LM-80-08 total test duration (in hours) for the device under testing ((DUT) i.e. the packaged LED chip).

3 - In accordance with IESNA TM-21-11, Calculated Values represent time durations that exceed six times NA LM-80-08 total test duration (in hours) for the device under testing ((DUT) i.e. the packaged LED chip).

# Mirada (MPP) Outdoor LED Post Top

Type : \_\_\_\_\_

 Have questions? Call us at (800) 436-7800

## PHOTOMETRICS

Luminaire photometry has been conducted by a NVLAP accredited testing laboratory in accordance with IESNA LM-79-08. As specified by IESNA LM-79-08 the entire luminaire is tested as the source resulting in a luminaire efficiency of 100%.

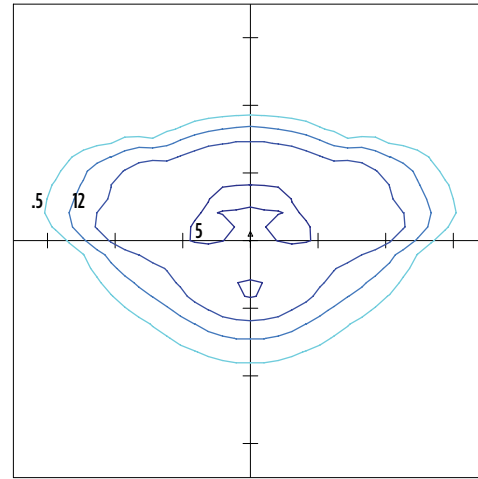
See the individual product page on <https://www.lsicorp.com/> for detailed photometric data.

### MPP-LED-10L-SIL-2-40-70CRI

Luminaire Data	
Wide Distribution	
Description	4000 Kelvin, 70 CRI
Delivered Lumens	10,159
Watts	73
Efficacy	159
IES Type	Type II - Short
BUG Rating	B2-U3-G2

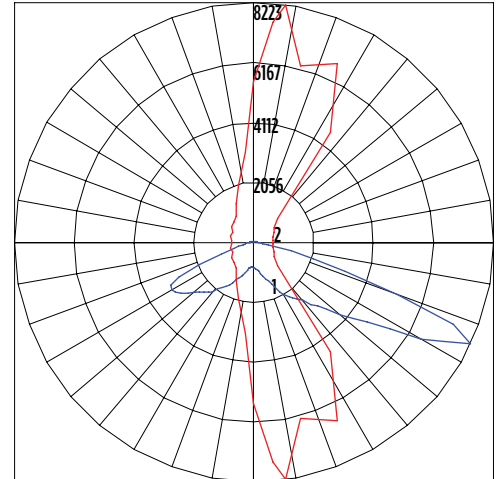
Zonal Lumen Summary		
Zone	Lumens	% Luminaire
Low (0-30°)	1014	10%
Medium (30-60°)	5631	55%
High (60-80°)	2860	28%
Very High (80-90°)	223	2%
Uplight (90-180°)	432	4%
<b>Total Flux</b>	<b>10159</b>	<b>100%</b>

#### ISO Footcandle



15' Mounting Height / 15' Grid Spacing  
 5 FC 2 FC 1 FC 0.5 FC

#### Polar Curve



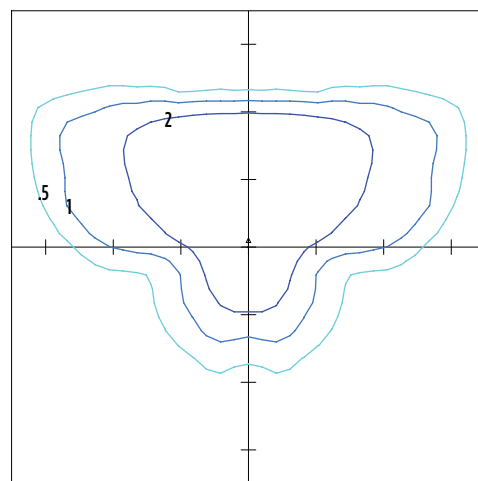
Vertical Plane Horizontal Cone

### MPP-LED-10L-SIL-3-40-70CRI

Luminaire Data	
Wide Distribution	
Description	4000 Kelvin, 70 CRI
Delivered Lumens	10,335
Watts	73
Efficacy	142
IES Type	Type III - Medium
BUG Rating	B2-U3-G2

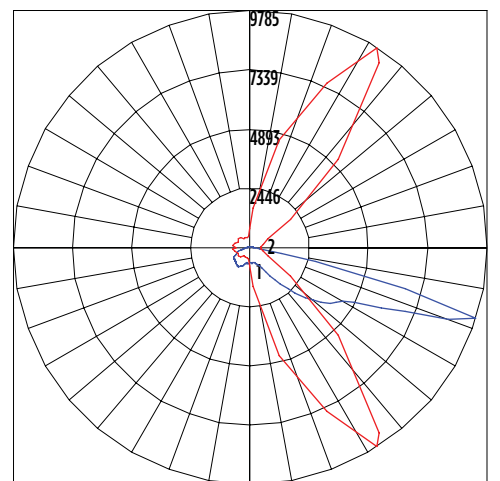
Zonal Lumen Summary		
Zone	Lumens	% Luminaire
Low (0-30°)	667	6%
Medium (30-60°)	4607	45%
High (60-80°)	4461	43%
Very High (80-90°)	246	2%
Uplight (90-180°)	355	3%
<b>Total Flux</b>	<b>10335</b>	<b>100%</b>

#### ISO Footcandle



15' Mounting Height / 15' Grid Spacing  
 5 FC 2 FC 1 FC 0.5 FC

#### Polar Curve



Vertical Plane Horizontal Cone

# Mirada (MPP) Outdoor LED Post Top

Type : \_\_\_\_\_

 Have questions? Call us at (800) 436-7800

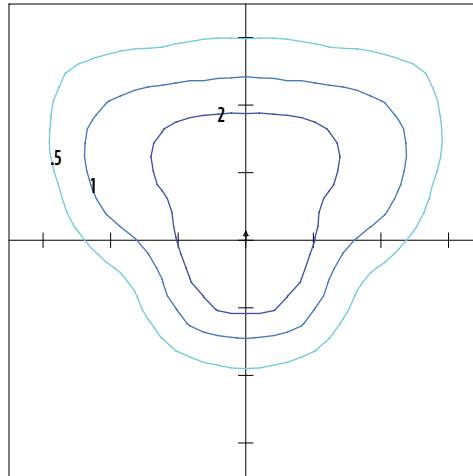
## PHOTOMETRICS

### MPP-LED-10L-SIL-2-40-70CRI

Luminaire Data	
Wide Distribution	
Description	4000 Kelvin, 70 CRI
Delivered Lumens	10,197
Watts	73
Efficacy	140
IES Type	Type IV - Medium
BUG Rating	B2-U3-G3

Zonal Lumen Summary		
Zone	Lumens	% Luminaire
Low (0-30°)	936	9%
Medium (30-60°)	3938	39%
High (60-80°)	4544	45%
Very High (80-90°)	375	4%
Uplight (90-180°)	404	4%
<b>Total Flux</b>	<b>10197</b>	<b>100%</b>

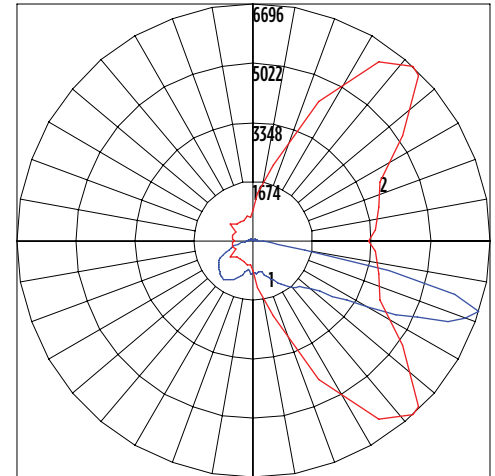
#### ISO Footcandle



15' Mounting Height / 15' Grid Spacing

■ 5 FC ■ 2 FC ■ 1FC ■ 0.5 FC

#### Polar Curve



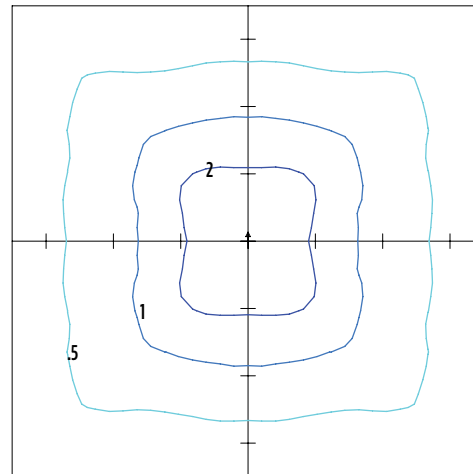
■ Vertical Plane ■ Horizontal Cone

### MPP-LED-10L-SIL-5W-40-70CRI

Luminaire Data	
Wide Distribution	
Description	4000 Kelvin, 70 CRI
Delivered Lumens	9,619
Watts	73
Efficacy	132
IES Type	Type VS - Short
BUG Rating	B3-U3-G2

Zonal Lumen Summary		
Zone	Lumens	% Luminaire
Low (0-30°)	645	7%
Medium (30-60°)	3566	37%
High (60-80°)	4819	50%
Very High (80-90°)	257	3%
Uplight (90-180°)	332	3%
<b>Total Flux</b>	<b>9619</b>	<b>100%</b>

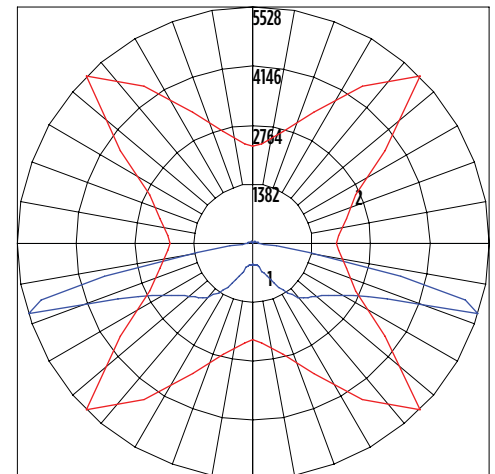
#### ISO Footcandle



15' Mounting Height / 15' Grid Spacing

■ 5 FC ■ 2 FC ■ 1FC ■ 0.5 FC

#### Polar Curve



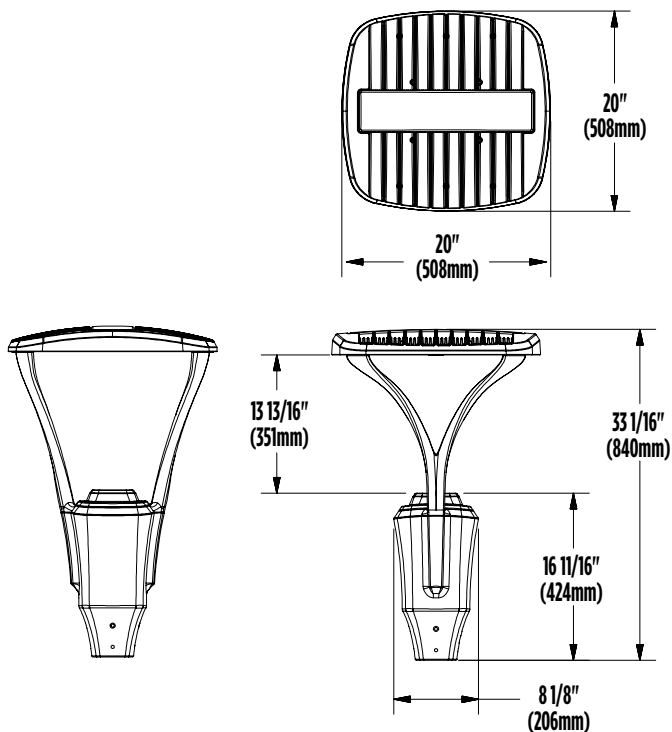
■ Vertical Plane ■ Horizontal Cone



# Mirada (MPP) Outdoor LED Post Top

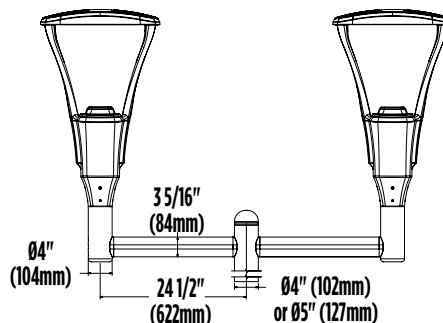
Type : \_\_\_\_\_

 Have questions? Call us at (800) 436-7800

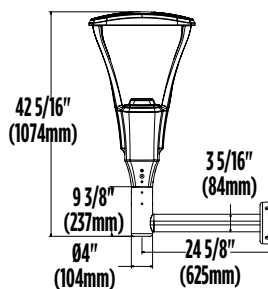
## PRODUCT DIMENSIONS



LUMINAIRE EPA CHART - MPH		
	Mounting	EPA
	PT	1.0
	PT	2.0



**BK MPT BO Mount**  
Optional D180 1.5G rated Arm Assembly  
Mounts to 4" or 5" Dia. D180 Bolt-on Pole  
Consult factory for alternate configurations



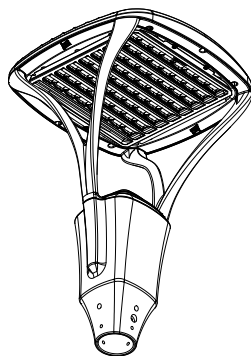
**WM Wall Mount Bracket**  
1.5G rated Wall Mount Arm mounts to standard 4" steel J-Box (Supplied by others) and is provided with masonry anchors for extra support.

## ACCESSORIES & OPTIONS

### Integral Louver (IL) and House-Side Shield (IH)

Accessory louver and shield available for improved backlight control without sacrificing street side performance. LSI's Integral Louver (L) and Integral House-Side Shield (IH) options deliver backlight control that significantly reduces spill light behind the poles for applications with pole locations close to adjacent properties. The design maximizes forward reflected light while reducing glare, maintaining the optical distribution selected, and most importantly eliminating light trespass. Both options rotate with the optical distribution.

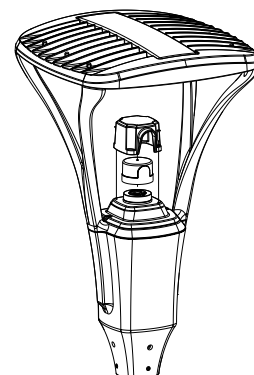
Luminaire Shown with Integral Louver (IL)



### 7 Pin Photoelectric Control

7-pin ANSI C136.41-2013 control receptacle option available for twist lock photocontrols with standard cast aluminum dog-house to shield the photocell from the luminaire's emitted light. Control accessories sold separately. Dimming leads from the receptacle will be connected to the driver dimming leads (Consult factory for alternate wiring).

Fixture Shown with CR7P



## CONTROLS

### Integral Bluetooth™ Motion and Photocell Sensor (IMSBT1, IMSBT2)

Slim low profile sensor provides multi-level control based on motion and/or daylight. Sensor controls 0-10 VDC LED drivers and is rated for cold and wet locations (-30° C to 70° C). Two unique PIR lenses are available and used based on fixture mounting height. All control parameters are adjustable via an iOS or Android App capable of storing and transmitting sensor profiles.

[Click here to learn more details about IMSBT](#)

### AirLink Wireless Lighting Controller (ALSC, ALSCS)

The AirLink integrated controller is a California Title 24 compliant lighting controller that provides real-time light monitoring and control with utility-grade power monitoring. It includes a 24V sensor input and power supply to connect a sensor into the outdoor AirLink wireless lighting system. The wireless integrated controller is compatible with this fixture.

[Click here to learn more details about AirLink](#)

### AirLink Blue (ALBC, ALBCS1, ALBCS2)

Wireless Bluetooth Mesh Lighting Control System that provides energy savings, code compliance and enhanced safety/security. Three key components; Bluetooth wireless radio/sensor controller, Time Keeper and an App. Capable of grouping multiple fixtures and sensors as well as scheduling time-based events by zone. Radio/Sensor Controller is factory integrated into luminaires.

[Click here to learn more details about AirLink Blue](#)

## RETROFIT KITS

LSI Industries offers a full line of Retrofit Kits for existing Encore, Richmond, 2x2 Universal and many more older canopy luminaires.

[Click here to learn more details on all our Retrofit Kits](#)

## POLES & BRACKETS

LSI offers a full line of poles and mounting accessories to complete your lighting assembly. Aluminum and steel in both square and round shafts. In addition, LSI offers round tapered, fluted and hinge based poles. Designed and engineered for durability and protected with our oven baked DuraGrip Protection System. Also available with our DuraGrip+ Protection system for unmatched corrosion resistance and an extended warranty. American made in our Ohio facility with industry leading lead times.

[Click here to learn more details about poles & brackets](#)



#### BKA UMB CLR

The 3G rated UMB allows for seamless integration of LSI luminaires onto existing/ retrofit or new construction poles. The UMB was designed for square or round (tapered or straight) poles with two mounting hole spacings between 3.5" – 5".



#### BKA ASF CLR

The adjustable Slip Fitter is a 3G rated rugged die cast aluminum adapter to mount LSI luminaires onto a onto a 2" iron pipe , 2 3/8 OD tenon. The Adjustable Slip Fitter can be rotated 180° allowing for tilting LSI luminaires up to 45° and 90° when using a vertical tenon.



#### BKS PQM15 CLR

The Pole Quick Mount Bracket allows for preset 15° uptilt of LSI luminaires for greater throw of light and increased vertical illumination as well as fast installation onto poles with LSI's 3" or 5" bolt pattern.



#### BKS PQMH CLR

The Pole Quick Mount Bracket allows for lightning fast installation of LSI luminaires onto existing and new construction poles with LSI's B3 or B5 standard pole bolt patterns.



Square Pole  
14'-39'



Round Pole  
10'-30'



Tapered Pole  
20'-39'