

Catalog # :

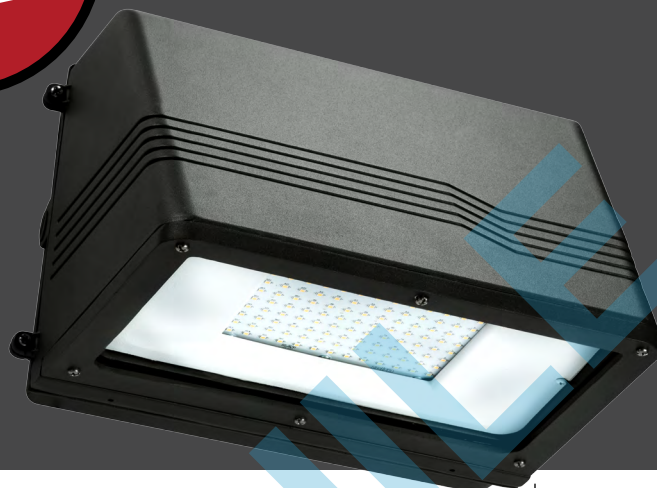
Project :

Prepared By :

Date :



MCOWP43W 43 Watt LED Medium Cut-Off Wall Pack



LSI Wall Lights feature traditional housings that provide familiar design with known applications. These fixtures make the switch from Metal Halide to LED easy. Mid-power LEDs provide glare-free white light.

Features & Specifications

Performance

4500K		
Delivered Lumens	Efficacy	Wattage
5,366	130.2	41.20

Optical System

- Lens assembly is designed to provide high efficiency and to target the light where needed to satisfy outdoor lighting requirements.
- Positioning of the LEDs result in the light being directed to desired locations eliminating glare and offensive light.
- 4500K color temperature.
- Minimum CRI of 82

Electrical

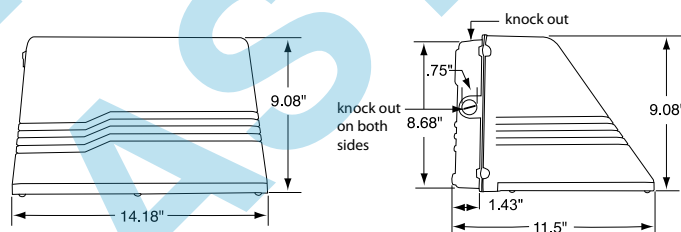
- High-performance driver features over-voltage, under voltage, short-circuit and over temperature protection.
- 0-10 volt dimming (10% - 100%) standard.
- Standard Universal Voltage (120-277 Vac) Input 50/60 Hz
- L70 Calculated Life: >100k Hours
- Total harmonic distortion: <20%
- Power factor: >.85
- Input power stays constant over life.
- Driver Off-State Power is 0 watts.
- Components are fully encased in potting material for moisture resistance. Driver complies with FCC standards. Driver and key electronic components can easily be accessed.
- Minimum 4kV surge rating

Construction

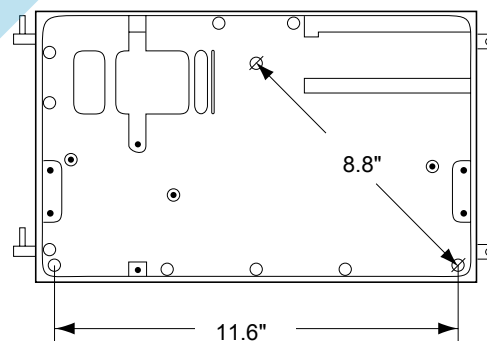
- Rugged traditional aluminum die cast housing provides proven environmental protection for LED modules.
- Traditional fixture designs provide a familiar look and standard installation requirements.
- Retaining this look allows the ability to upgrade fixtures gradually, while retaining the same overall fixture appearance throughout a facility.
- The smooth housing prevents debris build up and maximizes airflow over housing.



Dimensions



Mounting Detail





MCOWP43W 43 Watt LED Medium Cut-Off Wall Pack

Features & Specifications (Cont.)

- Patent pending thermal stacking technology system features a unique internal design that allows for lower operating temperatures which results in a brighter, whiter light, more stable color and longer LED and driver life.
- LSI LEDs provide higher lumen output, greater energy efficiency and more reliable fixture performance.
- LEDs manufactured for the MCOWP series utilize Epoxy Guard conformal coating which reduces the chance of board corrosion.

Controls

- Optional electronic button Photocontrol.
- Apertures for field or factory installed photocontrol.

Installation

- Fixture retains the same knock-out sizes and positions as previous models, reducing wiring costs.

Warranty

- LSI LED Fixtures carry a 5-year warranty.
- 1 Year warranty on optional Button Photocell.

Listings

- Listed to UL 1598 and UL 8750.
- CSA Listed
- RoHS Compliant.
- DesignLights Consortium® (DLC) qualified product. Not all versions of this product may be DLC qualified. Please check the DLC Qualified Products List at www.designlights.org/QPL to confirm which versions are qualified.
- American Recovery and Reinvestment Act Funding Compliant.
- Lighting Facts Approved.
- Suitable For Wet Locations.

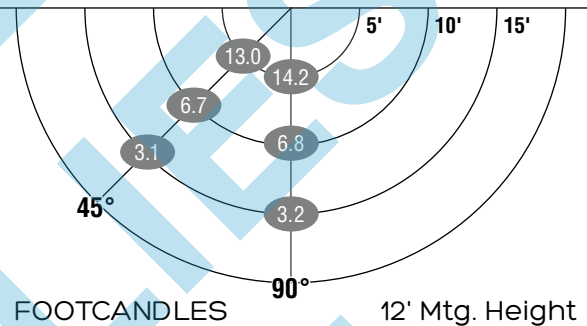
Finishes

- Bronze is standard. Consult factory for pricing and lead time for other options.

Energy Savings

LED		HID			
Wattage	Annual Cost	Source Wattage	Total Wattage Used	Annual Cost	Annual Savings
43	\$19	100	129	\$77	\$58
		150	185	\$100	\$81
		175	210	\$112	\$93

Photometrics



Mounting Height	90°			45°			Avg FCs 450 sq. feet
	5'	10'	15'	5'	10'	15'	
12'	14.2	6.8	3.2	13.0	6.7	3.1	7.8
14'	10.9	6.2	3.2	10.1	6.1	3.2	6.6

LED lighting facts®
A Program of the U.S. DOE

Light Output (Lumens) 5366
Watts 41.2
Lumens per Watt (Efficacy) 130.2

Color Accuracy
Color Rendering Index (CRI) 81

Light Color
Correlated Color Temperature (CCT) 4602 (Daylight)

2700K 3000K 4500K 6500K

All results are according to IESNA LM-79-2008. Approved Method for the Electrical and Photometric Testing of Solid State Lighting. The U.S. Department of Energy (DOE) verifies product test data and results.

Visit www.lightingfacts.com for the Label Reference Guide.

Registration Number: P88A-UJ8F23 (02/24/2017)
Model Number: MCOWP43W45K-BZ
Type: Luminaire - Area Roadway

Luminaire Ordering Guide

TYPICAL ORDER EXAMPLE: **MCOWP 43W 45K BZ PC120**

Family Prefix	Wattage	Color Temp	Finishes	Options / Controls
MCOWP	43W	45K - 4500K	BZ - Bronze	PC120 - 120V Button Photocontrol PC208-277 - 208-277V Photocontrol