



# LED TRADITIONAL WALLPACKS MEDIUM CUT-OFF (SFCM)



**EXPECTED LIFE:** Minimum 50,000 hours

**LEDs:** Select High-performance LEDs. Color temperature available in 5000K

**CRI:** Reference below Technical / Lumen Output chart

**CONSTRUCTION:** Precision die-cast aluminum housing with stainless steel hardware, tempered borosilicate glass refractor and ingress resistant gasket. Knock-out on housing for available button photocell accessory

**DIMMING:** 0-10 volt dimming, optional

**PHOTOCELL - Standard.**

**DISTRIBUTION:** Highly specular forward throw reflector

**FINISH:** Chip and fade resistant powder coat finish

**INSTALLATION:** Luminaire features a back plate designed to be easily mounted to a 4" square electrical junction box

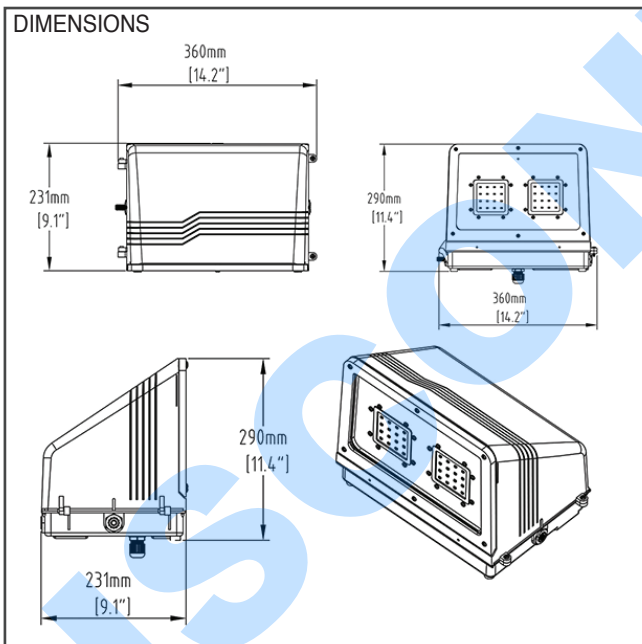
**ELECTRICAL:** Class 2 driver has universal voltage (120-277V, 50/60 Hz) input. 10Kv surge protection standard.

**OPERATING TEMPERATURE:** -35° through 40°C (-31° through 104°F)

**PHOTOMETRICS:** Please visit our web site at [www.lsi-industries.com](http://www.lsi-industries.com) for detailed photometric data

**WARRANTY:** Limited 5-year warranty

**LISTING:** UL listed to U.S. and Canadian safety standards. Suitable for wet locations. For a list of the specific products in this series that are DLC listed, please consult the LED Lighting section of our website or the Design Lights website at [www.designlights.org](http://www.designlights.org)



## TECHNICAL INFORMATION

MEDIUM	PL1
Color Temperature	5000K
System Wattage	33w
Replaces	175/150w HID
Lumens	3625 lms
Lumens Per Watt	108 lpw
CRI	84
Dimensions (Inches)	11.4" x 14.2" x 9.1"
Weight	8.38 lbs.



us IP65



lighting facts<sup>®</sup>  
A Program of the U.S. DOE



# LED TRADITIONAL WALLPACKS MEDIUM CUT-OFF (SFCM)

## LUMINAIRE ORDERING INFORMATION

TYPICAL ORDER EXAMPLE: **SFCM WB LED PL1 50 UE BRZ PC**

Prefix	Distribution	Light Source	Drive Current	Color Temperature	Input Voltage	Finish <sup>1</sup>	Options
SFCM (Medium LED Cut-off)	WB - Wide Beam Flood	LED	PL1 - Performance Level 1	50 - 5000K	UE - Universal Voltage (120-277V)	BRZ - Bronze WHT - White	D - Dimming

1- Other finishes available. Consult factory.

## BUG Listing

### SFCM - TYPE WB

Perform. Level	Color Temp.*	Lumens	Watts	LER	BUG Rating
PL1	50	3627	34	108	B2-U1-G1

\* Color Temperature: 50-5000K