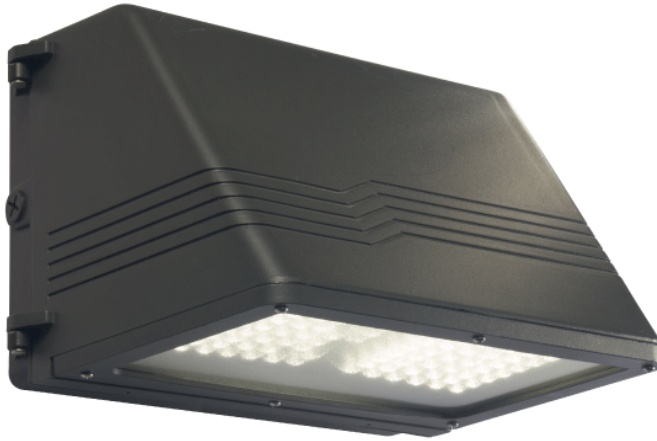




LED TRADITIONAL WALLPACKS LARGE CUT-OFF (SFCL)



CONSTRUCTION: Precision die-cast aluminum housing with stainless steel hardware, tempered borosilicate glass refractor and ingress resistant gasket. Knock-out on housing for available button photocell accessory

LEDs: Select High-performance LEDs. Color temperature available in 5000K and 4000K

CRI: Reference below Technical / Lumen Output chart

ELECTRICAL: Class 2 driver has universal voltage (120-277V, 50/60 Hz) input. 10Kv Surge protection standard.

DIMMING: 0-10 volt dimming, standard

OPERATING TEMPERATURE: -35° through 40°C (-31° through 104°F)

PHOTOCELL: 120-277 photocell standard with cover.

DISTRIBUTION: Highly specular forward throw reflector

PHOTOMETRICS: Please visit our web site at www.lsi-industries.com for detailed photometric data

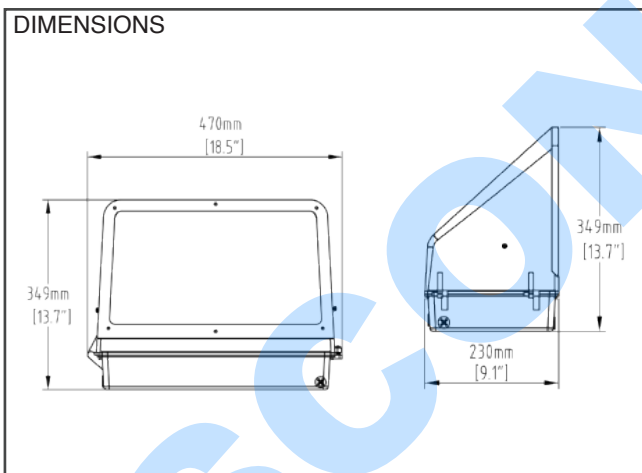
INSTALLATION: Luminaire features a back plate designed to be easily mounted to a 4" square electrical junction box

FINISH: Chip and fade resistant powder coat finish

EXPECTED LIFE: Minimum 50,000 hours

WARRANTY: Limited 5-year warranty

LISTING: UL listed to U.S. and Canadian safety standards. Suitable for wet locations. For a list of the specific products in this series that are DLC listed, please consult the LED Lighting section of our website or the Design Lights website at www.designlights.org



TECHNICAL INFORMATION

	LARGE	PL1
Color Temperature	4000K	5000K
System Wattage	99w	99w
Replaces	400/250w HID	400/250w HID
Lumens	10,426 lms	10,739 lms
Lumens Per Watt	105 lpw	108 lpw
CRI	85	84
Dimensions (Inches)	13.7" x 18.5" x 9.1"	
Weight	9.48 lbs.	



IP65

lighting facts
A Program of the ILLUMINANCE



LED TRADITIONAL WALLPACKS LARGE CUT-OFF (SFCL)

LUMINAIRE ORDERING INFORMATION

TYPICAL ORDER EXAMPLE: **SFCL WB LED PL1 40 UE BRZ PD**

Prefix	Distribution	Light Source	Drive Current	Color Temperature	Input Voltage	Finish ¹	Controls
SFCL (Large LED Cut-off)	WB - Wide Beam Flood	LED	PL1 - Performance Level 1	40 - 4000K 50 - 5000K	UE - Universal Voltage (120-277V)	BRZ - Bronze	PD - Photocell Dimming

1. Black, white and specialty finishes available. Consult factory for prices and lead time.

BUG Listing

SFCL - TYPE WB

Perform. Level	Color Temp.*	Lumens	Watts	LER	BUG Rating
PL1	40	10,430	99	105	B3-U2-G2
	50	10,951	101	108	B3-U2-G2

* Color Temperature: 40-4000K, 50-5000K

DISCONTINUED



IP65

lighting facts
A Program of the ILLUMINANCE

Project Name _____ | Fixture Type _____ | Cat# _____