



Industrial Linear High Bay (IHB)



OVERVIEW	
Lumen Package (lm)	2ft - 9,000 - 15,000 4ft - 9,000 - 30,000
Wattage Range (W)	2ft - 74 - 99 4ft - 61 - 198
Efficacy Range (LPW)	2ft - 130 - 154 4ft - 146 - 155
Weight lbs (kg)	2ft - 10 lbs (4.5) 4ft - 18 lbs (8.1)

QUICK LINKS

FEATURES & SPECIFICATIONS

Construction

- Rigid housing is die-formed thick gauge steel and aluminum
- All metal parts are painted after fabrication following treatment with phosphate rust inhibitor. Finish coating of housing reflecting surfaces is with high-reflectance white (minimum 92%) polyester powder.
- Lightweight heatsinks are designed to perform in ambient temperatures up to 55C
- Quick wire access panel allows for easy power connections
- 7 1/4" width meets ESFR fire suppression system requirements

Optical System

- Available without lens for maximum lumen output or with high impact, scratch resistant lens (91% efficiency)
- Minimum CRI of 82

Electrical

- Standard Universal Voltage (120-277 VAC) Input 50/60Hz or optional High Voltage (347-480 VAC)

- L70 Calculated Life: 200,000+ hours
- Driver is constant current, Class 2, 120-277 Vac, 50/60Hz
- High Efficiency Driver: minimum 85%
- 0-10V dimming (1% - 100%) standard
- Optional 120v-277v integral emergency battery pack is available to meet critical life safety lighting requirements. The 90-minute batteries provide constant power to the LED system, ensuring code compliance. A test switch/indicator button is installed on the housing for ease of maintenance.
- Emergency Backup Drive has 5W input, 10W output

Controls

- Controls Options include:
 - Simple Sensor PIR end mount motion sensor available (OMSx).

Installation

- Suitable for suspension by chain, cable, or single (pendant) monopoint with minimum 6" from ceiling

Warranty


- LSI luminaires carry a 5-year limited warranty. Refer to <https://www.lsicorp.com/resources/terms-conditions-warranty/> for more information.

Listings

- Listed to UL 1598 and UL 8750.
- Meets Buy American Act requirements.
- Title 24 Compliant; see local ordinance for qualification information.
- Suitable for damp locations.
- DesignLights Consortium® (DLC) Premium qualified product. Not all versions of this product may be DLC Premium qualified. Please check the DLC Qualified Products List at www.designlights.org/QPL to confirm which versions are qualified.
- IK08 rated luminaire per IEC 66262 mechanical impact code

Industrial Linear High Bay (IHB)

Type : _____

 **Have questions?** Call us at (800) 436-7800

ORDERING GUIDE

TYPICAL ORDER EXAMPLE: IHB2 LED 9L LL UNV DIM 40 OMS2 EM EXT					
Prefix	Light Source	Lumen Package	Lens/Optics	Voltage	Driver
IHB2 - 2' Industrial High Bay	LED	9L - 9,000 Lumens 12L - 12,000 Lumens 15L - 15,000 Lumens	LL - Less Lens DA - Diffused	UNV - 120 - 277V HV - 347-480V ⁴	DIM - Dim to 10% (0 to 10V)
IHB4 - 4' Industrial High Bay		9L - 9,000 Lumens 12L - 12,000 Lumens 15L - 15,000 Lumens 18L - 18,000 Lumens ² 24L - 24,000 Lumens ² 30L - 30,000 Lumens ²			
Color Temperature/Rendering	Controls		EM Options	Options	
40 - 4000K 50 - 5000K	OMS2 - External PIR motion sensor up to 40ft mounting height OMSBT2L - External Bluetooth PIR motion and photo sensor up to 20ft ³		EM - Emergency Backup 10W ⁴	EXT - Extended Leads CLDS - Center Leads C6CN - 6ft cord 16/3 non-dimming; no plug installed on TOP CENTER C6CD - 6ft cord 16/5 dimming; no plug installed on TOP CENTER C10CN - 10ft cord 16/3 non-dimming; no plug installed on TOP CENTER C10CD - 10ft cord 16/5 dimming; no plug installed on TOP CENTER 515P - 5-15 plug only (120V) L515P - 5-15P Twistlock Plug (125V) L615P - 6-15P Twistlock Plug (250V) L715P - 7-15P Twistlock Plug (277V) L820P - 8-20P Twistlock Plug (480V) L2420P - 24-20P Twistlock Plug only 347V	
	For low mounting height below 20ft, substitute "2" in nomenclature with "1" For programming, please see Sensors Sequence of Operations Charts				



Need more information?
Click here for our glossary

Have additional questions?
Call us at (800) 436-7800



MOUNTING ACCESSORIES

Order Number	Part Number	Description
783379R4	MCH10	10' Mini Hook Cable Hanger (2 per) - Up/Down adjustable and Left/Right adjustable.
572484	PM KIT	Pendant Mount J Box Kit
572488	SHC KIT	Single Hub/Chain Mount Kit



1 - Custom lumen and wattage packages available, consult factory. Values are within industry standard tolerances but not DLC listed.

2 - Only available in 4' unit (IHB4)

3 - OMSBTxW is field configurable via app that can be downloaded from your smartphone's native app store.

4 - OMSBTxL

Industrial Linear High Bay (IHB)

Type: _____

 Have questions? Call us at (800) 436-7800

PERFORMANCE

Cord Application Notes							
		Not Dimming				Dimming	
		No Emergency or Controls	Emergency	Controls ¹	Emergency and Controls	No Emergency or Controls	Emergency
Switched Circuitry Using a Wall Switch to Dim ²	Plug	Yes	No	Yes	No	No	No
	# of Cord Wires	3	4	3	4	5	6
Non-Switched Circuitry Using Controls to Dim ³	Plug	Yes	Yes	Yes	Yes	No	No
	# of Cord Wires	3	3	3	3	5	6

Delivered Lumens								
Size	Lumen Package	Distribution	CRI	4000K CCT		5000K CCT		Wattage
				Delivered Lumens	Efficacy	Delivered Lumens	Efficacy	
2ft	9L	Lens	80	9,631	130	9,635	130	74
		Less Lens		10,300	139	10,300	139	
	12L	Lens		11,580	140	11,580	140	83
		Less Lens		12,421	151	12,503	152	
	15L	Lens		14,353	144	14,353	144	99
		Less Lens		15,277	154	15,277	154	
4ft	9L	Lens	80	8,907	146	8,907	146	61
		Less Lens		9,452	155	9,452	155	
	12L	Lens		10,870	145	10,870	145	75
		Less Lens		11,530	154	11,560	154	
	15L	Lens		14,120	134	14,120	134	106
		Less Lens		14,980	142	14,980	142	
	18L	Lens		19,990	127	19,990	127	157
		Less Lens		21,410	136	21,410	136	
	24L	Lens		23,520	142	23,520	142	166
		Less Lens		25,036	151	25,036	151	
	30L	Lens		28,519	144	28,519	144	198
		Less Lens		30,352	153	30,352	153	

*LEDs are frequently updated therefore values are nominal

Electrical Data* (A)							
Size	Lumen Package	120V	208V	240V	277V	347V	480V
2ft.	9L	0.62	0.36	0.31	0.27	0.21	0.15
	12L	0.69	0.40	0.34	0.30	0.24	0.17
	15L	0.83	0.48	0.41	0.36	0.29	0.21
4ft.	9L	0.51	0.29	0.25	0.22	0.18	0.13
	12L	0.63	0.36	0.31	0.27	0.22	0.16
	15L	0.88	0.51	0.44	0.38	0.30	0.22
	18L	1.31	0.76	0.66	0.57	0.45	0.33
	24L	1.38	0.80	0.69	0.60	0.48	0.35
	30L	1.65	0.95	0.83	0.72	0.57	0.41

*Electrical data at 25C (77F). Actual wattage may differ by +/-10%.

Ambient Rating			
Length	Lumens	Min	Max
2ft.	9L	-35	60
	12L		
	15L		
4ft.	9L	-35	50
	12L		
	15L		
	18L		
	24L		
30L			

PHOTOMETRICS

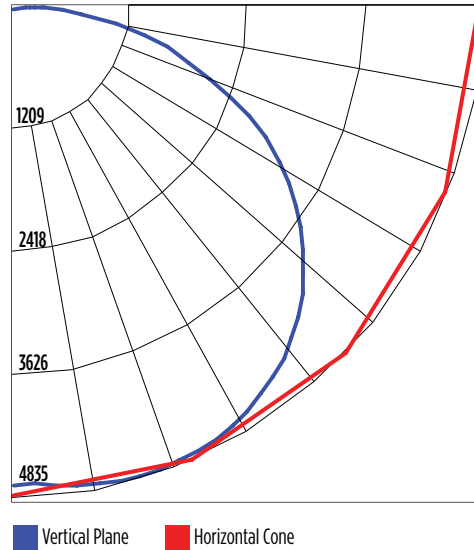
Luminaire photometry has been conducted by a NVLAP accredited testing laboratory in accordance with IESNA LM-79-08. As specified by IESNA LM-79-08 the entire luminaire is tested as the source resulting in a luminaire efficiency of 100%.

See the individual product page on <https://www.lsicorp.com/> for detailed photometric data.

IHB2-LED-15L-LL-UNV-DIM-40

Luminaire Data	
Wide Distribution	
Description	2ft 4000 Kelvin, 80 CRI
Delivered Lumens	15,277
Watts	99
Efficacy	154

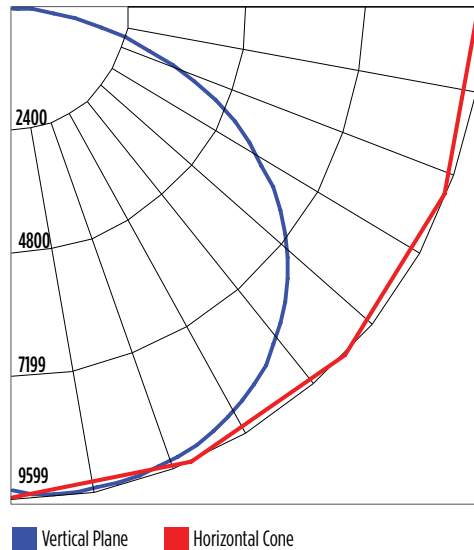
Polar Curve



IHB4-LED-30L-LL-UNV-DIM-40

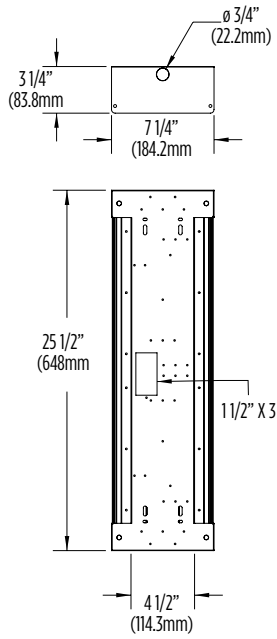
Luminaire Data	
Wide Distribution	
Description	4ft 4000 Kelvin, 80 CRI
Delivered Lumens	30,352
Watts	198
Efficacy	153

Polar Curve

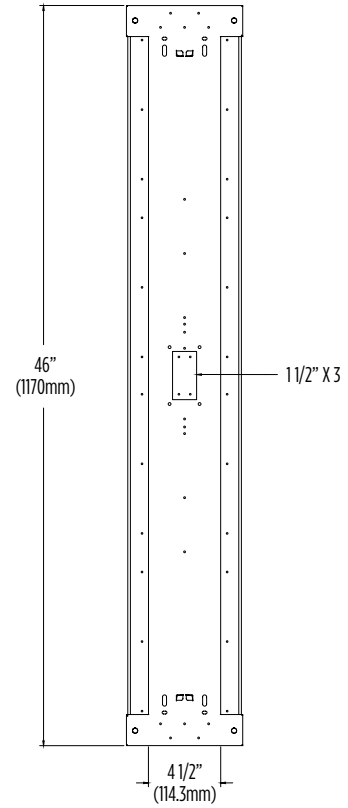
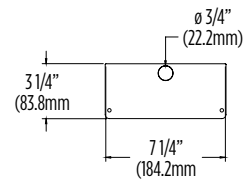


PRODUCT DIMENSIONS

2 ft. Unit



4 ft. Unit



**Components of the MCH10
Hardware Kit**