



Catalog #: _____

Project: _____

Type: _____

Prepared By: _____

Date: _____

External Shields (EHS)

Shielding



OVERVIEW

Standard length	2 - 8 Inch
EPA	.8 - 6.8

QUICK LINKS

FEATURES & SPECIFICATIONS

- A formed aluminum product
- Black Duragrip finish is standard with custom colors as an option
- Customizable lengths are available. Consult with Factory
- Field installable only.

COMPATIBLE FIXTURES



MRS



MRM ZNM



MRL ZNL



SLM ZNX

EHS PART NUMBERS

MRM/ZNM F/L/R/B 3 Inch	783607BLK
MRM/ZNM F/L/R/B 6 Inch	776538BLK
MRM/ZNM/SLM LB/RB 3 Inch	790806BLK
MRM/ZNM/SLM LB/RB 6 Inch	790805BLK
MRM/ZNM/SLM LRB 3 Inch	789807BLK
MRM/ZNM/SLM LRB 6 Inch	789788BLK
MRL/ZNL F/L/R/B 3 Inch	785970BLK
MRL/ZNL F/L/R/B 6 Inch	785962BLK

MRL/ZNL LRB 3 Inch	789813BLK
MRL/ZNL LRB 6 Inch	789812BLK
MRL/ZNL LB/RB 3 Inch	790955BLK
MRL/ZNL LB/RB 6 Inch	790954BLK
MRS L/R/B 3 Inch	783607BLK
MRS L/R/B 6 Inch	776538BLK
SLM F/L/R 3 Inch	783607BLK
SLM F/L/R 6 Inch	776538BLK



External House Side Shield

Type : _____

 **Have questions?** Call us at (800) 436-7800

ORDERING GUIDE

TYPICAL ORDER EXAMPLE: EHS MRM FB BLK 30				
Prefix	Product	Sides	Finish	Height
EHS - External House Side Shield	MRS - Mirada Small ^{2,4} MRM - Mirada Medium ² ZNM - Zone Medium ² SLM - Slice Medium ³ MRL - Mirada Large ² ZNL - Zone Large ² ZNX - Zone Slice ³	F/L/B/R - Single Shield LRB - C Shape Shield ⁶ LB/RB - Corner Shield ⁶	BLK - Black *Consult Factory for Custom Colors	30 - 3 Inch 60 - 6 Inch Other Lengths Available



Need more information?
Click here for our glossary

Have additional questions?
Call us at (800) 436-7800



- 1- Consult factory for special lengths
- 2 - EHS cannot be mounted with IL or IH
- 3 - EHS cannot be mounted at the back
- 4 - EHS cannot be mounted front

EPA

MRM EHS 6 INCHES

Tilt Degree	0	30	45
Single	1.1	2.1	2.5
D180	1.6	2.1	2.5
D90	1.5	2.5	2.9
T90	1.6	3.1	3.4
TN120	1.6	3.9	4.5
Q90	1.6	3.1	3.4

MRM EHS 3 INCHES

Tilt Degree	0	30	45
Single	0.8	1.8	2.2
D180	1.3	1.8	2.2
D90	1.1	2.2	2.6
T90	1.3	2.8	3.1
TN120	1.3	3.6	4.2
Q90	1.3	2.8	3.1

MRS EHS 6 INCHES

Tilt Degree	0	30	45
Single	1.1	1.9	2.4
D180	1.5	1.9	2.4
D90	1.5	2.4	2.7
T90	2	2.9	3.2
TN120	2	2.5	2.9
Q90	2	2.9	3.2

MRS EHS 3 INCHES

Tilt Degree	0	30	45
Single	0.8	1.6	2.1
D180	1.2	1.6	2.1
D90	1.2	2.1	2.5
T90	1.7	2.6	2.9
TN120	1.7	2.2	2.6
Q90	1.7	2.6	2.9

MRL EHS 6 INCHES

Tilt Degree	0	30	45
Single	1.6	3	3.7
D180	2.4	3	3.7
D90	2	3.8	4.5
T90	2.8	4.6	5.3
TN120	2.8	5.8	6.8
Q90	2.8	4.6	5.3

MRL EHS 3 INCHES

Tilt Degree	0	30	45
Single	1.3	2.7	3.4
D180	2.1	2.7	3.4
D90	1.7	3.5	4.2
T90	2.5	4.2	5
TN120	2.5	5.5	6.5
Q90	2.5	4.3	5

SLM EHS 6 INCHES

Tilt Degree	0	30	45
Single	1.1	2.7	3.2
D180	1.7	2.7	3.2
D90	1.6	3.1	3.7
T90	1.8	3.5	4.2
TN120	1.9	5	6
Q90	1.8	3.5	4.2

SLM EHS 3 INCHES

Tilt Degree	0	30	45
Single	0.8	2.4	2.9
D180	1.4	2.4	2.9
D90	1.2	2.8	3.4
T90	1.5	3.2	3.9
TN120	1.6	4.7	5.7
Q90	1.5	3.2	3.9

ZNM EHS 6 INCHES

Tilt Degree	0	30	45
Single	1.1	2.1	2.5
D180	1.6	2.1	2.5
D90	1.5	2.5	2.9
T90	1.6	3.1	3.4
TN120	1.6	3.9	4.5
Q90	1.6	3.1	3.4

ZNM EHS 3 INCHES

Tilt Degree	0	30	45
Single	0.8	1.8	2.2
D180	1.3	1.8	2.2
D90	1.1	2.2	2.6
T90	1.3	2.8	3.1
TN120	1.3	3.6	4.2
Q90	1.3	2.8	3.1

ZNL EHS 6 INCHES

Tilt Degree	0	30	45
Single	1.6	3	3.7
D180	2.4	3	3.7
D90	2	3.8	4.5
T90	2.8	4.6	5.3
TN120	2.8	5.8	6.8
Q90	2.8	4.6	5.3

ZNL EHS 3 INCHES

Tilt Degree	0	30	45
Single	1.3	2.7	3.5
D180	2.1	2.7	3.5
D90	1.8	3.5	4.2
T90	2.5	4.3	5
TN120	2.5	5.5	6.5
Q90	2.5	4.3	5

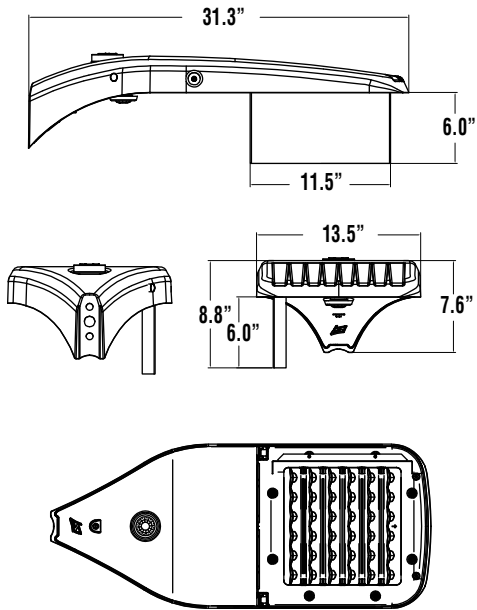
External House Side Shield

Type : _____

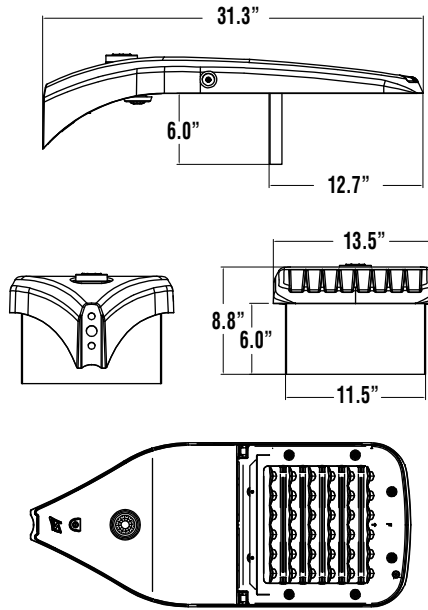
 Have questions? Call us at (800) 436-7800

PRODUCT DIMENSIONS

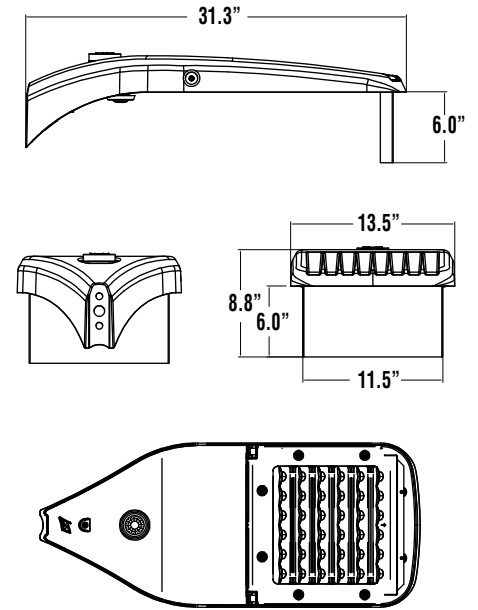
MRM/ZNM EHS 60 SIDE



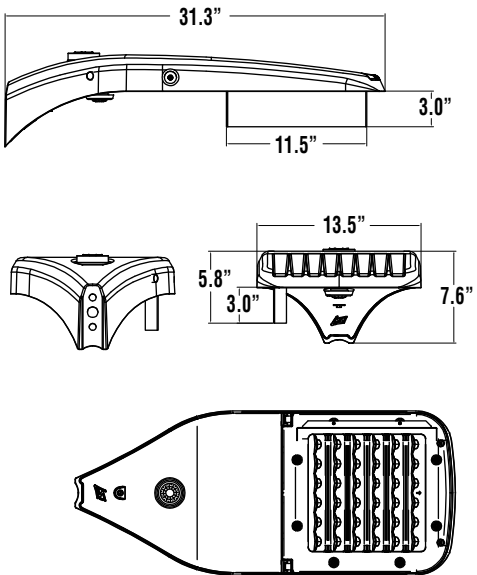
MRM/ZNM EHS 60 BACK



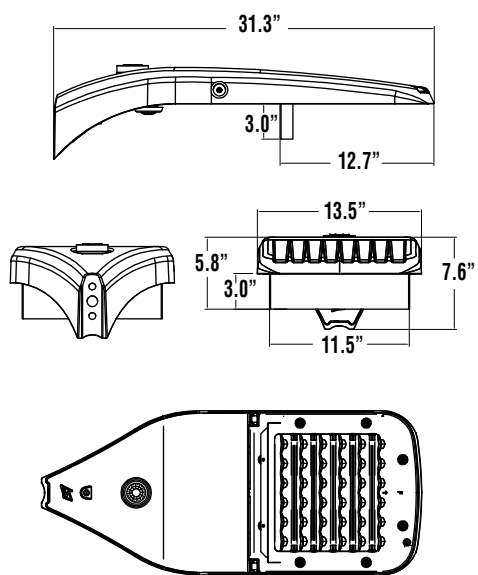
MRM/ZNM EHS 60 FRONT



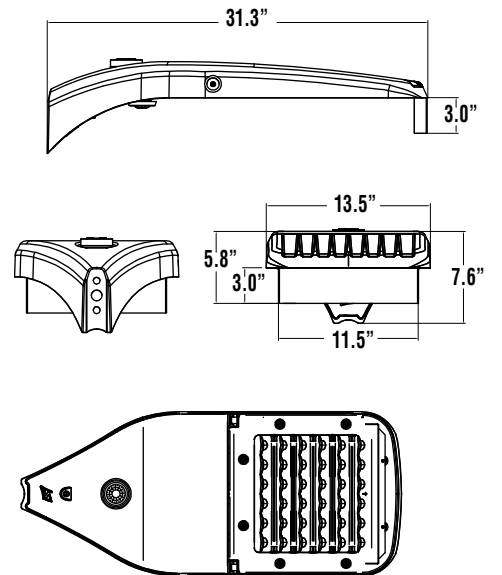
MRM/ZNM EHS 30 SIDE



MRM/ZNM EHS 30 BACK



MRM/ZNM EHS 30 FRONT



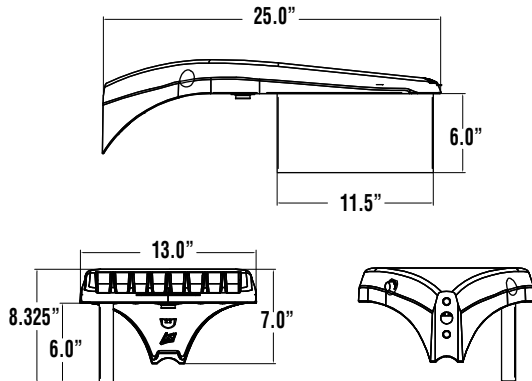
External House Side Shield

Type: _____

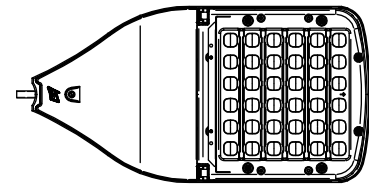
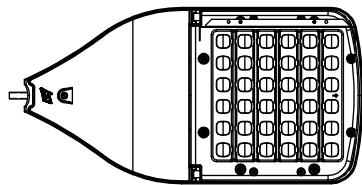
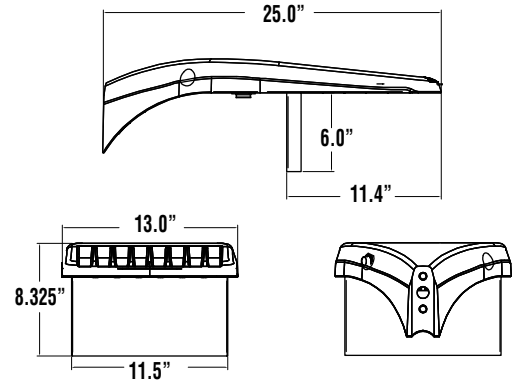
 Have questions? Call us at (800) 436-7800

PRODUCT DIMENSIONS

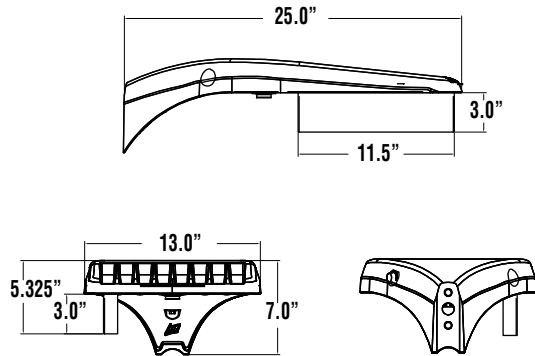
MRS EHS 60 SIDE



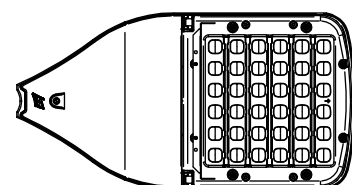
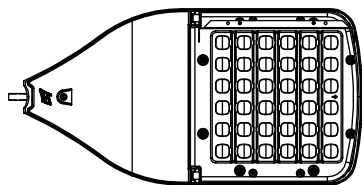
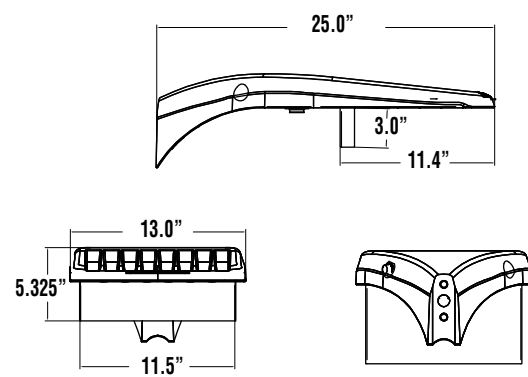
MRS EHS 60 BACK



MRS EHS 30 SIDE



MRS EHS 30 BACK



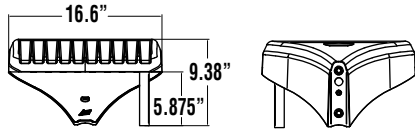
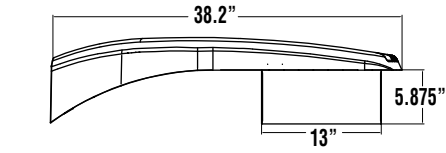
External House Side Shield

Type: _____

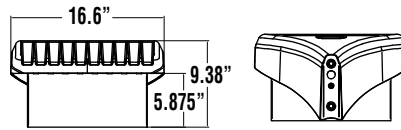
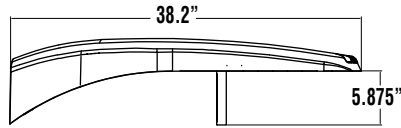
 Have questions? Call us at (800) 436-7800

PRODUCT DIMENSIONS

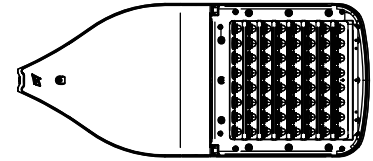
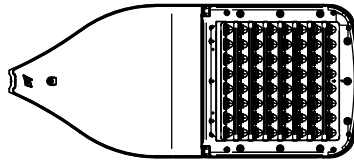
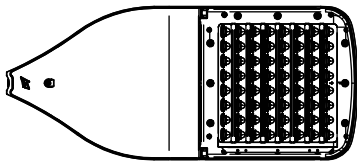
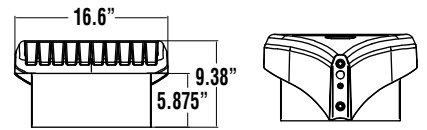
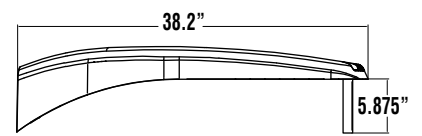
MRL/ZNL EHS 60 SIDE



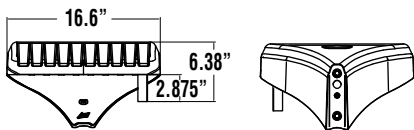
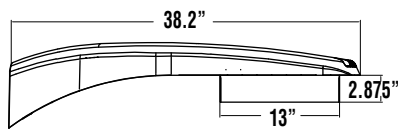
MRL/ZNL EHS 60 BACK



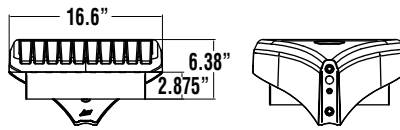
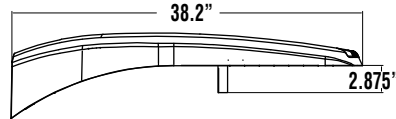
MRL/ZNL EHS 60 FRONT



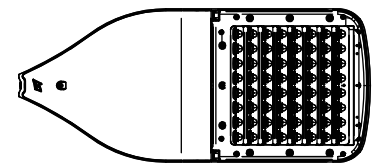
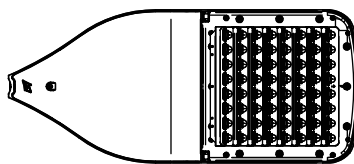
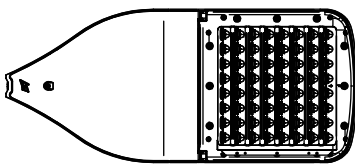
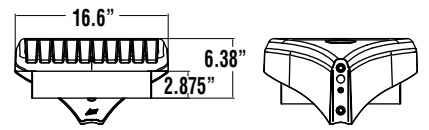
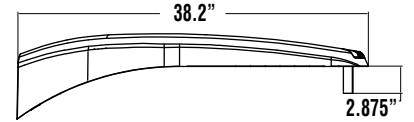
MRL/ZNL EHS 30 SIDE



MRL/ZNL EHS 30 BACK



MRL/ZNL EHS 30 FRONT



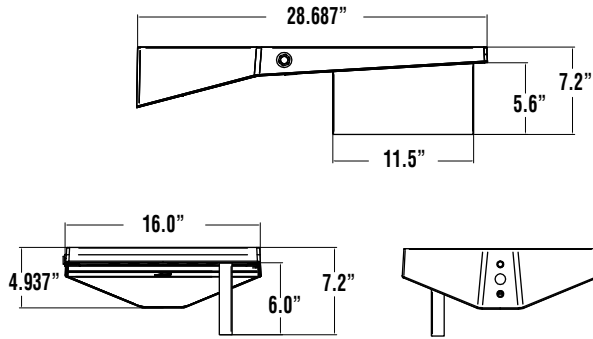
External House Side Shield

Type: _____

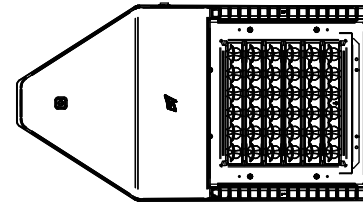
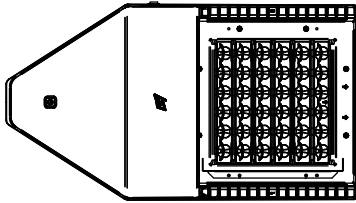
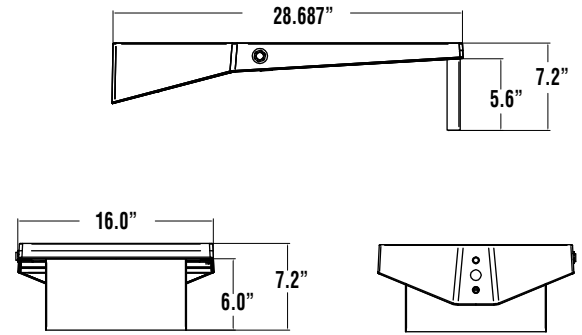
 Have questions? Call us at (800) 436-7800

PRODUCT DIMENSIONS

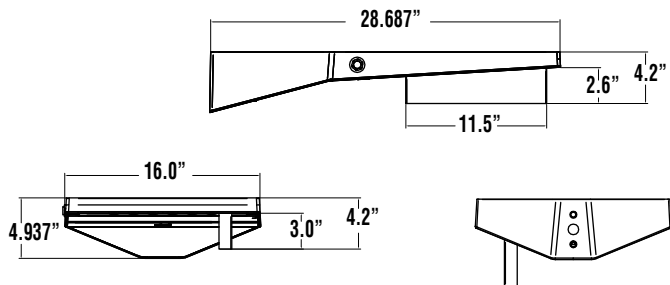
SLM EHS 60 SIDE



SLM EHS 60 FRONT



SLM EHS 30 SIDE



SLM EHS 30 FRONT

