



## COMMERCIAL LED BOLLARD (CBR7)

The CBR7 LED Commercial Bollard is an excellent choice for retrofit, as well as new construction applications. It is designed with a standard selection of distributions & color temperatures to meet most commercial requirements. It is ideal for retail, parks, schools, office buildings and more general lighting applications.

### Features & Specifications

#### Optical System

- Available in two optical distributions, symmetrical and asymmetrical.
- Optically clear vandal-resistant extruded polycarbonate lens seals the luminaire's optical chamber to IP65.
- Available in 5000K, 4000K, and 3,000K color temperatures per ANSI C78.377. Consult Factory for other color temperature requirements.
- Optional internal louvers available to conceal the light source.
- Minimum CRI of 70. Consult Factory for Higher CRI requirements.

#### Electrical

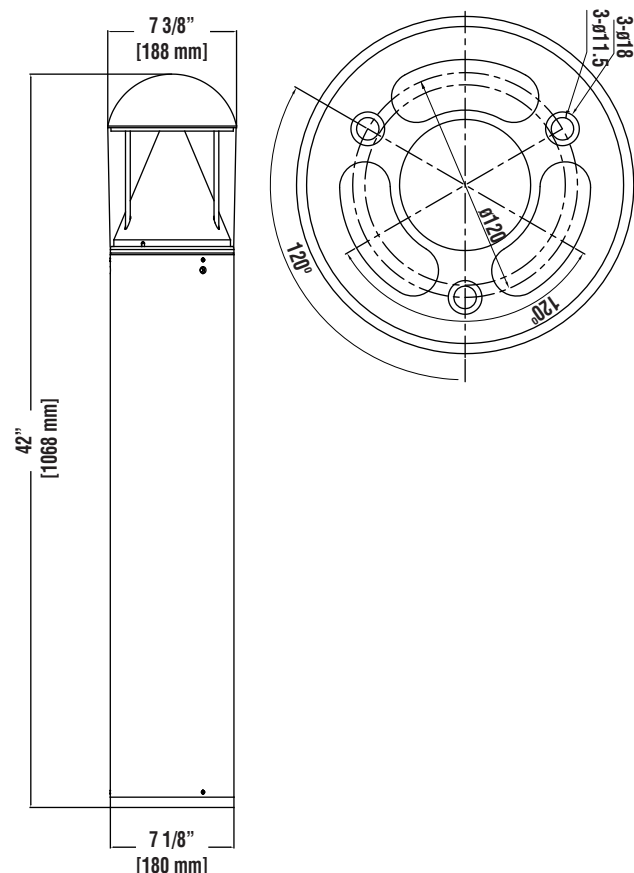
- High-performance driver features over-voltage, under voltage, short-circuit and over temperature protection.
- 0-10 volt dimming (10% - 100%) standard.
- Standard Universal Voltage (120-277 Vac) Input 50/60 Hz. Optional High Voltage 347 Vac Input available.
- L70 Calculated Life: > 147k Hours projected @ 25°C per IESNA TM-21-11.
- Total harmonic distortion: <20%
- Operating temperature: -40°C to +40°C (-40°F to +104°F)
- Power factor: >.90
- Input power stays constant over life.
- High-efficacy LEDs with integrated circuit board mount to the housing to maximize heat dissipation and promote long life.
- Driver components are fully encased in potting material for moisture resistance. Driver complies with FCC standards. Driver and key electronic components can easily be accessed.
- Electrical components are mounted on a removable power tray.
- Field replaceable surge protection device meets a minimum Category C Low operation (per ANSI/IEEE C62.41.2).
- Optional 120v-277v integral emergency battery pack is available to meet critical life safety lighting requirements. The 90-minute batteries provide constant power to the LED system, ensuring code compliance. A test switch/indicator button is installed on the housing for ease of maintenance.



IP65



#### Product Dimensions



# CBR7 Commercial LED BOLLARD

## Features & Specifications (Cont.)

### Construction

- Precision cast aluminum dome head for maximum durability and consistency.
- 7" one-piece extruded aluminum seamless shaft.
- Fixtures are finished with LSI's DuraGrip® polyester powder coat finishing process. The DuraGrip finish withstands extreme weather changes without cracking or peeling. Other standard LSI finishes available. Consult factory.
- Shipping weight: 30 lbs in carton.

### Installation

Base plate installs with three heavy-duty 3/8" x 8" galvanized steel anchor bolts.

### Warranty

- LSI LED Fixtures carry a 5-year warranty.
- 1 Year warranty on optional Battery Back Up. Test regularly in accordance with local codes.

### Listings

- Listed to UL 1598 and UL 8750.
- RoHS Compliant.

| ELECTRICAL DATA* |              |      |      |      |      |      |
|------------------|--------------|------|------|------|------|------|
| Lumens           | Distribution | 120V | 208  | 240V | 277V | 347V |
| 10L              | LV           | 0.15 | 0.08 | 0.07 | 0.06 | 0.05 |
|                  | A            | 0.18 | 0.11 | 0.09 | 0.08 | 0.07 |
|                  | S            | 0.15 | 0.08 | 0.07 | 0.06 | 0.05 |

\*Electrical data at 25C (77F). Actual wattage may differ by +/-10%.

| PERFORMANCE |              |                  |          |                  |          |                  |          |         |
|-------------|--------------|------------------|----------|------------------|----------|------------------|----------|---------|
| Lumens      | Distribution | 3000K            |          | 4000K            |          | 5000K            |          | Wattage |
|             |              | Delivered Lumens | Efficacy | Delivered Lumens | Efficacy | Delivered Lumens | Efficacy |         |
| 10L         | LV           | 450              | 26       | 489              | 29       | 507              | 30       | 17      |
|             | A            | 1,095            | 50       | 1,190            | 55       | 1,232            | 57       | 22      |
|             | S            | 1,179            | 69       | 1,281            | 75       | 1,310            | 77       | 17      |

\*LED Chips are frequently updated therefore values are nominal.

TYPICAL ORDER EXAMPLE: **CBR7 LED 10L PC S UNV 40 BB BRZ**

| Prefix  | Source     | Lumen Package         | Lens                      | Distribution   | Voltage   | Driver   | EM  | Color Temp   | CRI                     | Finish                                    | Options  |
|---|------------|-----------------------|---------------------------|--|---|--|---|--|-------------------------|---|--|
| <b>CBR7</b><br>(Commercial<br>Bollard Round 7") | <b>LED</b> | <b>10L</b> - 1,000 lm | <b>PC</b> - Polycarbonate | <b>LV</b> - Symmetric (ouvers) <sup>3</sup><br><b>A</b> - Assymetric (cone) <sup>3</sup><br><b>S</b> - Symmetric (cone) <sup>3</sup> | <b>UNV</b> - Universal<br>voltage<br>(120-277V) | <b>(Blank)</b> - 0-10V<br>Dimming<br><br>(10-100%) | <b>(Blank)</b> -<br>Standard<br><b>BB</b> - Battery<br>Backup | <b>30</b> - 3000k <sup>1</sup><br><b>40</b> - 4000k<br><b>50</b> - 5000k | <b>(Blank)</b> - 80 CRI | <b>BRZ</b> - Bronze<br><b>BLK</b> - Black | <b>HSS</b> - House Side<br>Shield<br><b>LAB</b> - Less Anchor<br>Bolts |

#### Accessories

|   |
|---|
| Adaptor Baseplate CBR7 BRZ <sup>4</sup> |
| Adaptor Baseplate CBR7 BLK <sup>4</sup> |
| RPL Driver CBR7 UNV                     |
| RPL Driver CBR7 HV                      |
| RPL Baseplate CBR7 BRZ                  |
| RPL Baseplate CBR7 BLK                  |
| RPL PC Lens CBR7                        |
| Anchor Bolt Kit 3/8" x 8" CBR7          |

#### FOOTNOTES:

- 1 - Consult Factory for Lead Time
- 2 - Surge Protection is Standard on all fixtures.
- 3 - Refer to Luminaire Output chart for actual lumen values.
- 4 - Adaptor Baseplate is required for use with some existing Anchor Bolts. Consult Factory for specific compatibility.

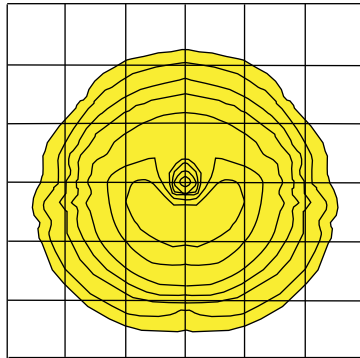


# CBR7

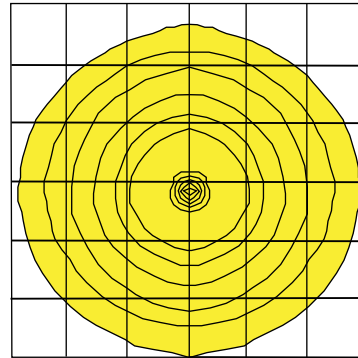
## Commercial LED BOLLARD

### Photometry

All published luminaire photometric testing performed to IESNA LM-79 standards by NVLAP, certified laboratory. ISO footcandle plots below demonstrate the CBR7 light patterns only. Not for total fixture output. For complete specifications and IES files, see website.



Asymmetric



Symmetric

