

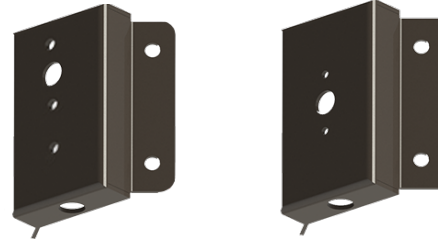


Catalog #: _____ Project: _____ Type: _____

Prepared By: _____ Date: _____

BKS-WP

Wood Pole Area Light Bracket



| OVERVIEW | |
|----------|--------|
| EPA | .1 |
| Width | 6.7" |
| Weight | 3 lbs. |

FEATURES & SPECIFICATIONS

- Wood Pole Bracket allows you to seamlessly integrate LSI are luminaires onto wooden poles (minimum 6" OD)
- Bracket includes provisions for surface conduit
- Rugged thick gauge steel plate (wood pole mounting hardware/anchors not included)
- B2/B3/B5 Mounting
- B3/B5 bracket finished with LSI's DuraGrip polyester powder coat finishing process. The DuraGrip finish withstands extreme weather changes without cracking or peeling. Other standard LSI finishes available. Consult Factory.

COMPATIBLE FIXTURES

BKS XBO WP




BKS B2 WP




TYPICAL ORDER EXAMPLE: BKS B2 WP SVG

| Prefix | Finish |
|---|--------------------------------|
| BKS XBO WP - B3/B5 Wall Mount Bracket | BRZ - Bronze |
| BKS B2 WP - B2 Wall Mount Bracket ¹ | BLK - Black |
| | MSV - Metallic Silver |
| | GPT - Graphite |
| | WHT - White |
| | SVG - Satin Verde Green |
| | PLP - Platinum Plus |
| | BZA - Commercial Bronze |



Need more information?
[Click here for our glossary](#)

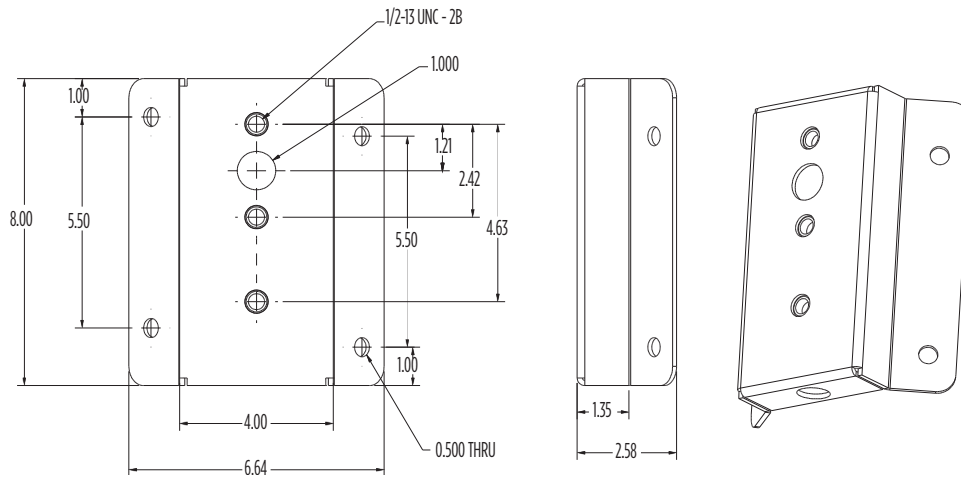
Have additional questions?
Call us at (800) 436-7800



¹. Only available with BZA

PRODUCT DIMENSIONS

BKS XBO WP



BKS B2 WP

