



Round Tenon Mount Fitter - BKA RNM

Pole Tenon Top Fitter



OVERVIEW

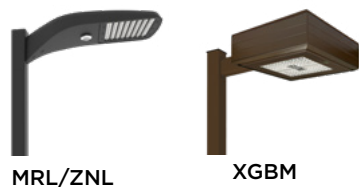
EPA	0.3
Size (WxH)	11.3"x4.2"
Weight lbs	7.5 lbs

FEATURES & SPECIFICATIONS

The Round Tenon Mount Fitter allows for mounting LSI luminaires with a B3 or B5 drill pattern to a 2 3/8" tenon top. Standard drilling for triple luminaire head configurations at 120 degrees.

- Allows you to seamlessly integrate LSI Luminaires and quick mount brackets onto a 2 -3/8" pole top tenon
- Rugged Die Cast Aluminum tenon fitter
- Tenon fitter finished with LSI's DuraGrip® polyester powder coat finishing process. The DuraGrip finish withstands extreme weather changes without cracking or peeling. Other standard LSI finishes available. Consult factory.

COMPATIBLE FIXTURES



TYPICAL ORDER EXAMPLE: BKA RNM TN120 BLK

Prefix	Drilling	Finish
BKA RNM - B5 Drill Pattern BKA XRNM - B3 Drill Pattern	TN120	BRZ - Bronze BLK - Black MSV - Metallic Silver GPT - Graphite WHT - White SVG - Satin Verde Green PLP - Platinum Plus



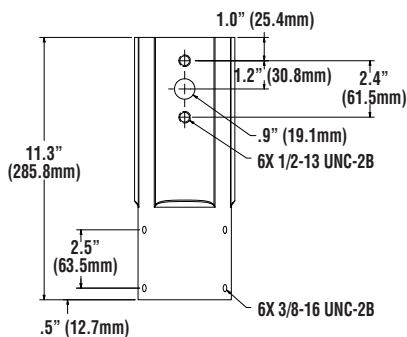
Need more information?
[Click here for our glossary](#)

Have additional questions?
Call us at (800) 436-7800



PRODUCT DIMENSIONS

B3 Drill Pattern



B5 Drill Pattern

