



Catalog #: _____ Project: _____ Type: _____

Prepared By: _____ Date: _____

BKA*NM

Pole Tenon Top Fitter



OVERVIEW

EPA	0.4
Size (H)	18"
Weight lbs	6 lbs

FEATURES & SPECIFICATIONS

- The Square Tenon Mount Fitters allow for mounting to LSI luminaires with B2, B3, and B5 drill patterns to a 2 3/8 tenon top. Available drilling for single, double, triple, and quad luminaire head configurations.
- Allows you to seamlessly integrate LSI Luminaires and quick mount brackets onto a 2-3/8" pole top tenon.
- Rugged Die Cast Aluminum tenon fitter.
- Tenon fitter finished with LSI's DuraGrip polyester powder coat finishing process. The DuraGrip finish withstands extreme weather changes without cracking or peeling. Other standard LSI finishes available. Consult Factory.

TYPICAL ORDER EXAMPLE: BKA XNM 19 SVG

Prefix	Drilling	Finish
BKA NM - B5 Drill Pattern	S	BRZ - Bronze
BKA XNM - B3 Drill Pattern	D180	BLK - Black
BKA 2NM - B2 Drill Pattern ¹	D90	MSV - Metallic Silver
	Q90	GPT - Graphite
	T90	WHT - White
		SVG - Satin Verde Green
		PLP - Platinum Plus



Need more information?
[Click here for our glossary.](#)

Have additional questions?
 Call us at (800) 436-7800



1 - Only Available with Q90 Drilling & BZA

COMPATIBLE FIXTURES

B2 Drill Pattern



B3 Drill Pattern

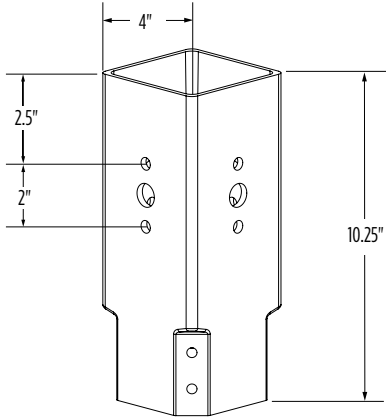


B5 Drill Pattern

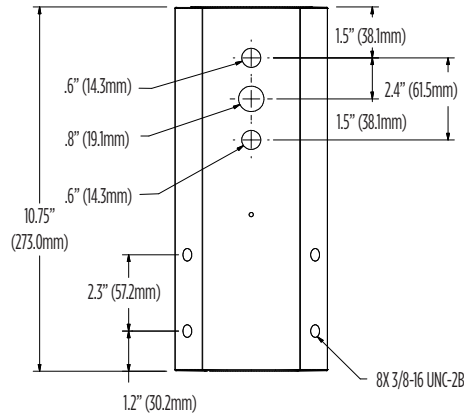


PRODUCT DIMENSIONS

B2 Drill Pattern



B3 Drill Pattern



B5 Drill Pattern

