

\_\_\_\_\_ Project name  
 \_\_\_\_\_ Prepared by  
 / / Date



**AirLink™ Zone Controller**  
 enabled by Synapse®



Catalog #: **ALSZC UNV**  
 Part #: **665656**

LSI Controls' AirLink Zone Controller is one of the components of the AirLink Outdoor Wireless Lighting Control System. Each zone controller provides the capability to control 1 load and dim with its 0-10V DC output.

The AirLink Outdoor Wireless Control System is comprised of 1 Site Manager Controller, 1 Override Switch, a Controller for each light fixture, optional Motion Sensors, optional Photo Sensors, optional Zone Controllers and optional Circuit Controllers.

**Applications**



Auto dealerships



Warehouses



Shopping centers



Parking facilities

**Features**

The AirLink Outdoor Wireless Lighting Control System communicates using a 2.4 GHz mesh radio network employing the standard 802.15.4 protocol. Each unit functions as a repeater extending the wireless mess network. Typical range between wireless devices: 1,000ft line-of-sight.

**Specifications**

**Regulatory Approvals**

- FCC, IC, CE certified
- cULus Listed
- California Title 24 compliant

**Housing**

Die-formed steel housing contains factory prewired controller. A terminal block is provided for easy field wiring. Rated for wet locations. Enclosures have a black powder coat finish.

**Mounting**

Mounting bracket is factory installed and can be used with cable straps or mounting holes.

**Power and Performance**

- Input power: (100–277VAC), amps per load: 5A, 50/60 Hz
- Operating environment: -40°F to +131°F (-40°C to +55°C). 10-95% RH noncondensing

**Other**

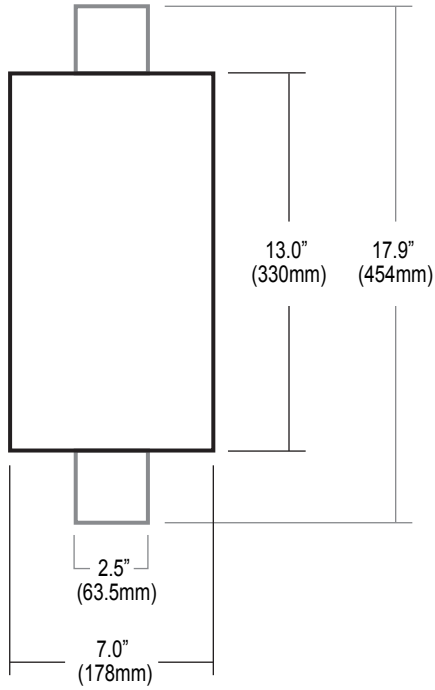
- Shipping weight (in carton): 12lbs / 5.4kg
- Warranty: limited 5-year warranty

**Certifications & Affiliations**

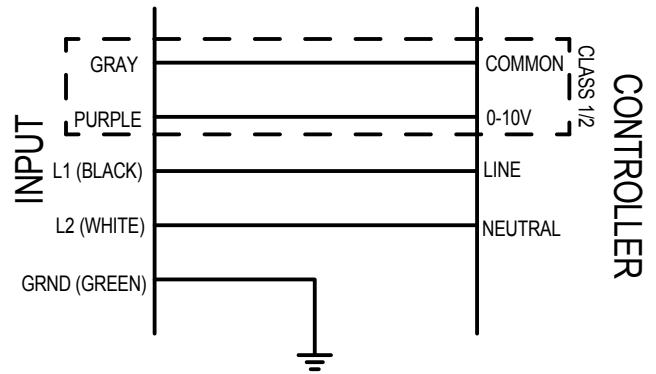




### Dimensions



### Wiring Diagram



### Ordering Information

Part #	Catalog #	Description
665656	ALSCZC UNV	AirLink Synapse – Zone Controller

### Contact LSI Controls

**Sales**  
controls.sales@lsi-industries.com

**Support**  
controls.support@lsi-industries.com  
1 (800) 436-7800 (support, option 8)

**More information**  
For more information on AirLink, visit our website at [www.lsi-airlink.com/airlink](http://www.lsi-airlink.com/airlink)