



Mirada Small Wall Sconce Visual Comfort (XWS VC)

Outdoor LED Wall Light



OVERVIEW

Lumen Package (lm)	2,000 - 6,000
Wattage Range (W)	15 - 52
Efficacy Range (LPW)	119 - 151
Weight lbs (kg)	8 (3.6)

QUICK LINKS

FEATURES & SPECIFICATIONS

Construction

- Rugged die-cast aluminum housing.
- Fixtures are finished with LSI's DuraGrip® polyester powder coat finishing process. The DuraGrip finish withstands extreme weather changes without cracking or peeling. Other standard LSI finishes available. Consult factory.
- Extended housing available with 1/2" threaded hubs for surface conduit and rated wire.
- Standard luminaire shipping weight: 10 lbs in carton.
- Max luminaire shipping weight (with back housing): 20 lbs in carton.

Optical System

- Choice of acrylic lens or high impact resistant polycarbonate lens
- The lens is fully gasketed with a one-piece solid silicone gasket to keep out moisture and dust, providing an IP65 rating for the luminaire
- Reflector system with recessed light engine reduces glare and brightness.
- Forward Throw Wide and Medium distributions available.
- Optional diffused lens for reduced LED pixilation over the lens and maximum visual comfort.
- Zero uplight.
- Available in 5000K, 4000K, 3500K, 3000K and 2700K color temperatures per ANSI C78.377.
- Minimum CRI of 80

Electrical

- High-performance driver features over-voltage under-voltage, short-circuit and over temperature protection.

- 0-10V dimming (10% - 100%) standard.
- Standard Universal Voltage (120-277 VAC) Input 50/60 Hz or optional High Voltage (347-480 VAC).
- L70 Calculated Life: >60k Hours
- Total harmonic distortion (THD): <20%
- Operating temperature: -40°C to +50°C (-40°F to +122°F).
- Power factor (PF): >.90
- Input power stays constant over life.
- Optional 10kV surge protection device meets a minimum Category C Low operation (per ANSI/IEEE C62.41.2).
- High-efficacy LEDs mounted to metal-core circuit board to maximize heat dissipation
- Driver is fully encased in potting material for moisture resistance. Driver complies with FCC standards. Accessible driver and electrical components.
- Optional Dual Drivers/Circuit/Power Feeds.
- Optional battery backup provides 90-minutes of constant power to the LED system, ensuring code compliance. A test switch/indicator button is installed on the housing for ease of maintenance. Standard battery rated for 0° to 50° with cold weather battery rated for -20°C to 50°. 120-277V Only.

Controls

- Optional integral passive infrared Bluetooth™ motion and photocell sensor. Fixtures operate independently and can be commissioned via iOS or Android configuration app.
- LSI's AirLink™ wireless control system options reduce energy and maintenance costs while optimizing light quality 24/7.

Installation

- Universal wall mounting plate mounts directly to vertical surface or 4" junction box (octagonal or square).
- Luminaire hinges to the top of the mounting plate and is secured via two flush mount screws that help to conceal the hardware and prevent over tightening during installation.

Warranty

- LSI luminaires carry a 5-year limited warranty. Refer to <https://www.lsicorp.com/resources/terms-conditions-warranty/> for more information.

Listings

- Listed to UL 1598 and UL 8750.
- Meets Buy American Act requirements.
- IDA compliant; with 2700K or 3000K color temperature selection.
- Title 24 Compliant; see local ordinance for qualification information.
- Suitable for wet locations.
- IP65 rated luminaire per IEC 60598-1.
- IK10 rated luminaire per IEC 66262 mechanical impact code with clear polycarbonate lens (MTP).
- DesignLights Consortium® (DLC) qualified product. Not all versions of this product are DLC qualified. Please check the DLC Qualified Products List at www.designlights.org/QPL to confirm which versions are qualified.

Mirada Small Wall Sconce Visual Comfort (XWS VC)

Type : _____

 Have questions? Call us at (800) 436-7800

ORDERING GUIDE

TYPICAL ORDER EXAMPLE: XWS LED 6L FTW UNV DIM 40 80CRI ALBCS1 BLK EH					
Prefix	Light Source	Lumen Package	Distribution/Lens	Voltage	Driver
XWS - Mirada Small Wall Sconce	LED	2L - 2,000 3L - 3,000 5L - 5,000 6L - 6,000 Custom Lumen Packages ¹	FTW - Forward Throw Wide Clear Acrylic MT - Medium Throw Clear Acrylic MTD - Medium Throw Diffuse Acrylic MTP - Medium Throw Clear Polycarbonate MTPD - Medium Throw Diffuse Polycarbonate	UNV - Universal Voltage (120-277V) HV - High Voltage (347-480V) ²	DIM - 0-10v Dimming (0-10%)
Color Temperature	Color Rendering	Controls		Finish	Options
27 - 2700K 30 - 3000K 35 - 3500K 40 - 4000K 50 - 5000K	80CRI - 80 CRI	Blank - None Wireless Controls ALSC - AirLink Synapse Control System ALSCS1 - AirLink Synapse Control System with 8-12' MH Motion Sensor ALSCS2 - AirLink Synapse Control System with 12-20' MH Motion Sensor ALBCS1 - AirLink Blue Wireless Motion & Photo Sensor Controller (8-24' mounting height) Standalone Controls EXT - 0-10v Dimming leads extended to housing exterior IMSBT1L - Integral Bluetooth™ Motion and Photocell Sensor 8-24' MH ^{3,4,5} Button Type Photocells PCI120 - 120V PCI208-277 - 208 -277V PCI347 - 347V		BLK - Black BRZ - Dark Bronze GNG - Gun Metal Gray GPT - Graphite MSV - Metallic Silver PLP - Platinum Plus SVG - Satin Verde Green WHT - White	Blank - None ZDP - Dual Driver, Circuit & Power Feed ^{3,4,6,7} BB - Battery Back-up (0°C) ^{3,4,9} CWBB - Cold Weather Battery Backup(-20°C) ^{3,4,9} EH - Extended Housing ⁴ SP1 - 10kV Surge Protection Device TP - Tamper Proof ¹⁰



Need more information?
[Click here for our glossary.](#)

Have additional questions?
 Call us at (800) 436-7800



ACCESSORY ORDERING INFORMATION⁷

Part Number	Description
758270	XWS Performance Lens (FTW)
758267	XWS Clear Acrylic Lens (MT)
758268	XWS Diffuse Acrylic Lens (MTD)
758271	XWS Polycarbonate Vandal Lens (MTP)

Part Number	Description
758274CLR	XWS Extended Housing/Surface Conduit Wiring Box
760159CLR	XWS Spacer Plate/Wiring Box
783974	XWS Tamper Resistant Hardware
783975	XWS Tamper Resistant Hardware Screw Driver

Battery Backup

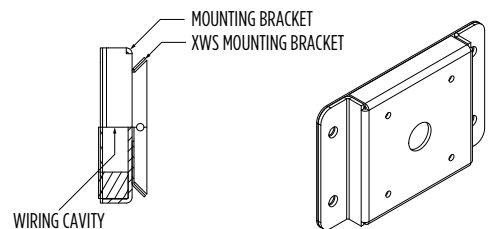
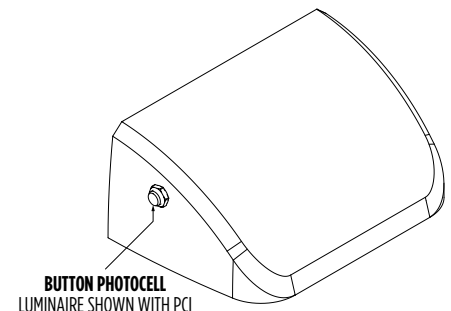
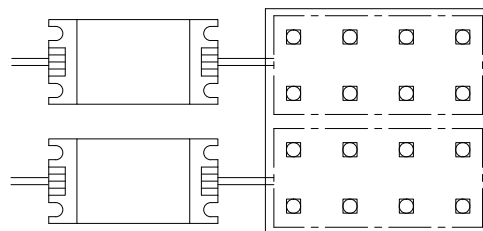
- Emergency battery system provides 90-minutes of constant power to the LED system, ensuring code compliance.
- A test switch/indicator button is installed on the housing for ease of maintenance.
- 8w tbattery delivers ~1,200 lumens during emergency mode.
- 20w battery delivers ~3,000 lumens during emergency mode.



Luminaire shown with sensor & battery backup

Dual Driver, Circuit, & Power Feed

- Dual drivers and circuit provide redundant sources to ensure that failure of one component will not leave total darkness in any space. Dual power feeds allow for wiring to inverters to reduce load during emergency operation. Extended housing required.




1 Custom lumen and wattage packages available, consult factory. Values are within industry standard tolerances but not DLC listed.
 2 Not available in 2L lumen package.
 3 Option requires EH extended housing.
 4 For applications with surface conduit, there is limited hub accessibility when ordering with controls, battery backup or dual driver options. Consult factory.
 5 IMSBT is field configurable via the LSI app that can be downloaded from your smartphone's native app store.

6 Not available with controls.
 7 Not available in 2L and 3L lumen packages.
 8 Accessories are shipped separately and field installed.
 9 Universal Voltage Only (120-277V).
 10 Tamper-proof screwdriver must be ordered separately (see accessory ordering information)

Mirada Small Wall Sconce Visual Comfort (XWS VC)

Type: _____

 Have questions? Call us at (800) 436-7800

PERFORMANCE

Delivered Lumens ¹																		
Lumen Package	Distribution	CRI	2700K CCT			3000K CCT			3500K CCT			4000K CCT			5000K CCT			Wattage
			Delivered Lumens	Efficacy	Bug Rating	Delivered Lumens	Efficacy	Bug Rating	Delivered Lumens	Efficacy	Bug Rating	Delivered Lumens	Efficacy	Bug Rating	Delivered Lumens	Efficacy	Bug Rating	
2L	FTW	80	1,961	131	B1-U0-G1	2,071	138	B1-U0-G1	2,120	141	B1-U0-G1	2,145	143	B1-U0-G1	2,167	144	B1-U0-G1	15
	MT		2,023	135	B1-U0-G0	2,136	142	B1-U0-G0	2,188	146	B1-U0-G0	2,216	148	B1-U0-G0	2,236	149	B1-U0-G0	
	MTD		1,892	126	B1-U0-G1	1,997	133	B1-U0-G1	2,045	136	B1-U0-G1	2,072	138	B1-U0-G1	2,090	139	B1-U0-G1	
	MTP		2,020	135	B1-U0-G0	2,133	142	B1-U0-G0	2,184	146	B1-U0-G0	2,213	148	B1-U0-G0	2,233	149	B1-U0-G0	
	MTPD		1,744	116	B1-U0-G1	1,842	123	B1-U0-G1	1,887	126	B1-U0-G1	1,911	127	B1-U0-G1	1,928	129	B1-U0-G1	
3L	FTW	80	3,432	132	B1-U0-G1	3,624	139	B1-U0-G1	3,710	143	B1-U0-G1	3,759	145	B1-U0-G1	3,793	146	B1-U0-G1	26
	MT		3,542	136	B1-U0-G1	3,739	144	B1-U0-G1	3,829	147	B1-U0-G1	3,879	149	B1-U0-G1	3,914	151	B1-U0-G1	
	MTD		3,495	134	B1-U0-G1	3,690	142	B1-U0-G1	3,778	145	B1-U0-G1	3,828	147	B1-U0-G1	3,862	149	B1-U0-G1	
	MTP		3,537	136	B1-U0-G1	3,735	144	B1-U0-G1	3,824	147	B1-U0-G1	3,874	149	B1-U0-G1	3,909	150	B1-U0-G1	
	MTPD		3,054	117	B1-U0-G1	3,224	124	B1-U0-G1	3,303	127	B1-U0-G1	3,345	129	B1-U0-G1	3,375	130	B1-U0-G1	
5L	FTW	80	4,980	128	B1-U0-G1	5,257	135	B1-U0-G1	5,383	138	B1-U0-G1	5,454	140	B1-U0-G1	5,503	141	B1-U0-G1	39
	MT		5,138	132	B1-U0-G1	5,425	139	B1-U0-G1	5,555	142	B1-U0-G1	5,628	144	B1-U0-G1	5,678	146	B1-U0-G1	
	MTD		4,805	123	B1-U0-G1	5,074	130	B1-U0-G1	5,195	133	B2-U0-G1	5,263	135	B2-U0-G1	5,310	136	B2-U0-G1	
	MTP		5,132	132	B1-U0-G1	5,418	139	B1-U0-G1	5,548	142	B1-U0-G1	5,621	144	B1-U0-G1	5,671	145	B1-U0-G1	
	MTPD		4,430	114	B1-U0-G1	1,677	120	B1-U0-G1	4,791	123	B1-U0-G1	4,852	124	B1-U0-G1	4,896	126	B1-U0-G1	
6L	FTW	80	6,362	122	B1-U0-G1	6,717	129	B2-U0-G1	6,877	132	B2-U0-G1	6,968	134	B2-U0-G1	7,031	135	B2-U0-G1	52
	MT		6,564	126	B2-U0-G1	6,931	133	B2-U0-G1	7,097	136	B2-U0-G1	7,190	138	B2-U0-G1	7,254	140	B2-U0-G1	
	MTD		6,139	118	B2-U0-G1	6,482	125	B2-U0-G1	6,637	128	B2-U0-G1	6,724	129	B2-U0-G1	6,784	130	B2-U0-G1	
	MTP		6,354	122	B2-U0-G1	6,708	129	B2-U0-G1	6,869	132	B2-U0-G1	6,959	134	B2-U0-G1	7,021	135	B2-U0-G1	
	MTPD		5,659	109	B1-U0-G1	5,975	115	B2-U0-G1	6,121	118	B2-U0-G1	6,199	119	B2-U0-G1	6,255	120	B2-U0-G1	

Electrical Data - Current Draw AMPS ²						
Lumen Package	120V	208V	240V	277V	347V	480V
2L	0.12	0.07	0.06	0.05	0.04	0.03
3L	0.21	0.12	0.11	0.09	0.07	0.05
5L	0.32	0.19	0.16	0.14	0.11	0.08
6L	0.43	0.25	0.22	0.19	0.15	0.11

Recommended Lumen Maintenance - XWS ³					
Ambient Temperature C°	Initial ⁴	25K hrs. ⁴	50K hrs. ⁴	75K hrs. ⁵	100K hrs. ⁵
25	100%	97%	92%	88%	84%
40	100%	95%	90%	85%	81%

1 LEDs are frequently updated therefore values are nominal

2 Electrical data at 25C (77F). Actual wattage may differ by +/-10%.

3 Lumen maintenance values at 25°C are calculated per TM-21 based on LM-80 data and in-situ luminaire testing.

4 In accordance with IESNA TM-21-11, Projected Values represent interpolated value based on time durations that are within six times (6X) the IESNA LM-80-08 total test duration (in hours) for the device under testing (DUT) i.e. the packaged LED chip).

5 In accordance with IESNA TM-21-11, Calculated Values represent time durations that exceed six times NA LM-80-08 total test duration (in hours) for the device under testing (DUT) i.e. the packaged LED chip).

Mirada Small Wall Sconce Visual Comfort (XWS VC)

Type : _____

 Have questions? Call us at (800) 436-7800

PHOTOMETRICS

Luminaire photometry has been conducted by a NVLAP accredited testing laboratory in accordance with IESNA LM-79-08. As specified by IESNA LM-79-08 the entire luminaire is tested as the source resulting in a luminaire efficiency of 100%.

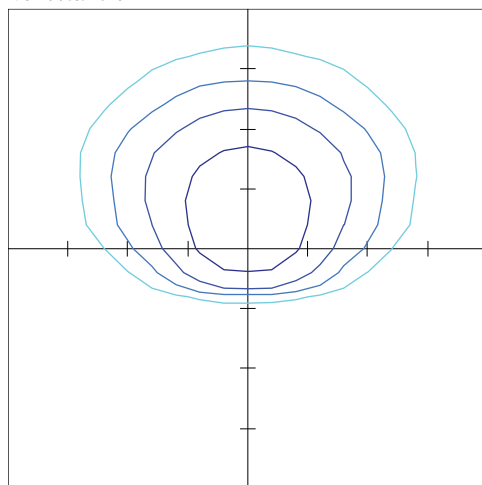
See the individual product page on <https://www.lsicorp.com/> for detailed photometric data.

XWS-LED-5L-FTW-40

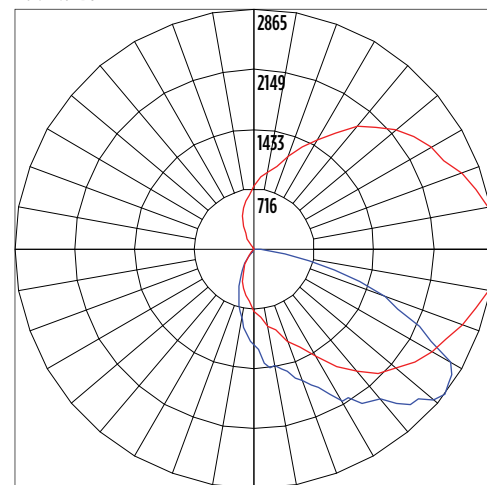
Luminaire Data	
Wide Distribution	
Description	4000 Kelvin, 80 CRI
Delivered Lumens	5,454
Watts	39
Efficacy	140
IES Type	Type IV - Very Short
BUG Rating	B1-U0-G1

Zonal Lumen Summary		
Zone	Lumens	% Luminaire
Low (0-30°)	1,191	20%
Medium (30-60°)	2,668	50%
High (60-80°)	1,508	28%
Very High (80-90°)	87	1%
Uplight (90-180°)	0	0%
Total Flux	5,454	100%

ISO Footcandle



Polar Curve

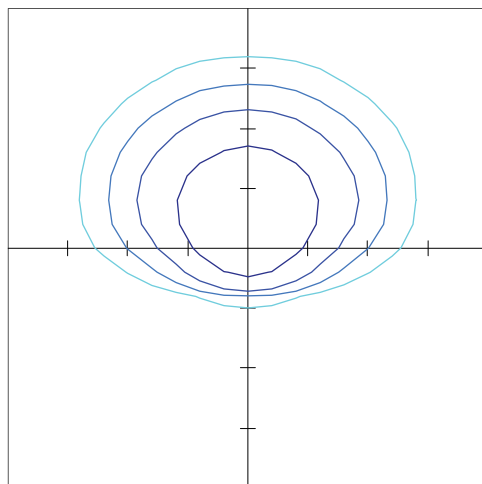


XWS-LED-5L-MT-40

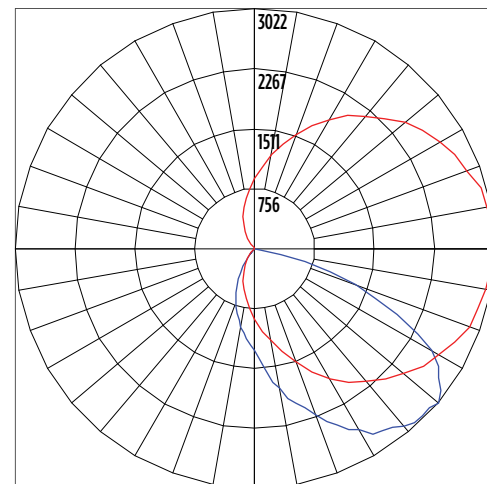
Luminaire Data	
Wide Distribution	
Description	4000 Kelvin, 80 CRI
Delivered Lumens	5,628
Watts	39
Efficacy	144
IES Type	Type III - Very Short
BUG Rating	B1-U0-G1

Zonal Lumen Summary		
Zone	Lumens	% Luminaire
Low (0-30°)	1,134	22%
Medium (30-60°)	2,788	54%
High (60-80°)	1,194	23%
Very High (80-90°)	11	0%
Uplight (90-180°)	0	0%
Total Flux	5,127	100%

ISO Footcandle



Polar Curve



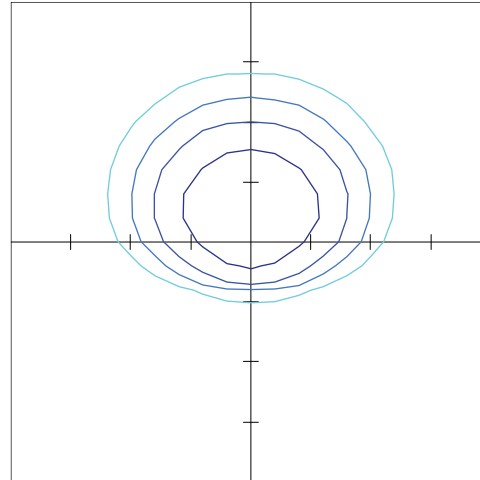
PHOTOMETRICS

XWS-LED-5L-MTD-40

Luminaire Data	
Wide Distribution	
Description	4000 Kelvin, 80 CRI
Delivered Lumens	4,330
Watts	39
Efficacy	135
IES Type	Type III - Very Short
BUG Rating	B2-U0-G1

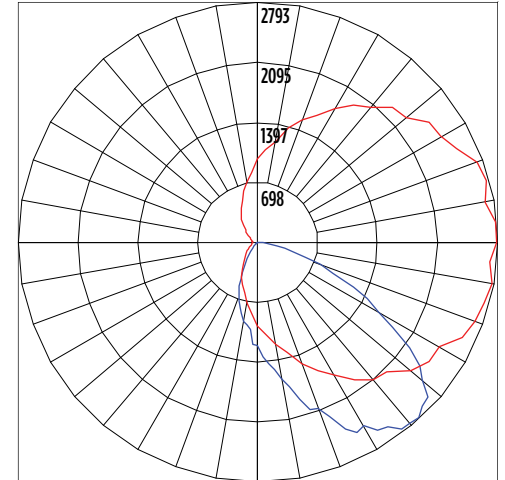
Zonal Lumen Summary		
Zone	Lumens	% Luminaire
Low (0-30°)	1,387	25%
Medium (30-60°)	2,721.4	57%
High (60-80°)	1,068	17%
Very High (80-90°)	86.8	1%
Uplight (90-180°)	0	0%
Total Flux	5,263	100%

ISO Footcandle



10' Mounting Height / 10' Grid Spacing
 5 FC
 2 FC
 1 FC
 0.5 FC

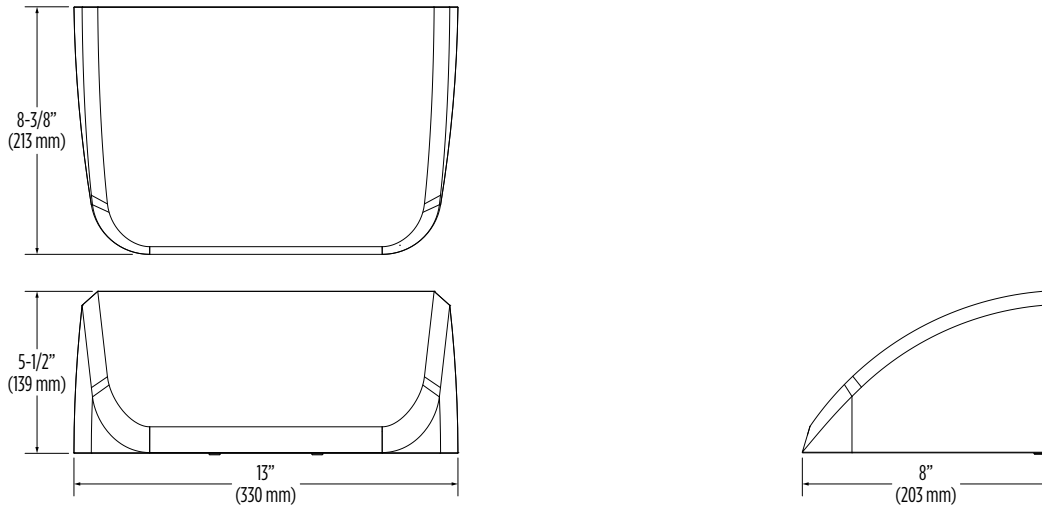
Polar Curve



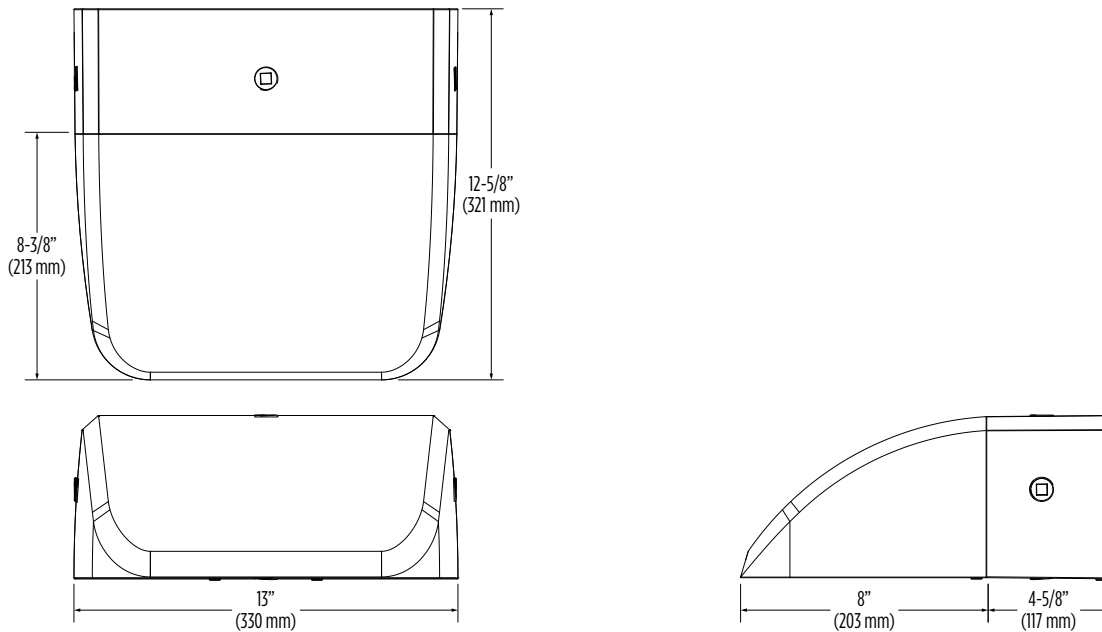
Vertical Plane
 Horizontal Cone

PRODUCT DIMENSIONS

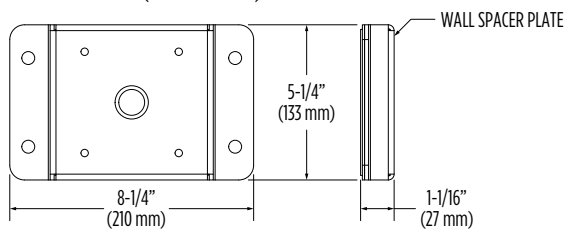
STANDARD HOUSING (XWS)



SCWB EXTENDED HOUSING (XWS 758274CLR)



XWS SPACER PLATE/WIRING BOX (XWS 760159CLR)



NOTE: Wall spacer plate allows the luminaire to float off the wall and provides space for securing wires (8.25" X 5.25" X 1.07").

CONTROLS

Integral Bluetooth™ Motion and Photocell Sensor (IMSBTxL)

Slim low profile sensor provides multi-level control based on motion and/or daylight. Sensor controls 0-10 VDC LED drivers and is IP66 rated for cold and wet locations (-40°F to 167°F). Two unique PIR lenses are available and used based on fixture mounting height. All control parameters are adjustable via an iOS or Android App capable of storing and transmitting sensor profiles.

[Click here to learn more details about IMSBT](#)



LEVITON App



Apple



Android

AirLink Blue (ALBCSx)

Wireless Bluetooth Mesh Outdoor Lighting Control System that provides energy savings, code compliance and enhanced safety/security for parking lots and parking garages. Three key components; Bluetooth wireless radio/sensor controller, Time Keeper and an iOS App. Capable of grouping multiple fixtures and sensors as well as scheduling time-based events by zone. Radio/Sensor Controller is factory integrated into Area/Site, Wall Mounted, Parking Garage and Canopy luminaires.

[Click here to learn more details about AirLink Blue](#)



AirLink Blue App



Apple

Sensor Sequence of Operations

Standard Programming	On Event	Off Event	On Light Level	Dim Light Level	Daylight Harvesting	Delay To Off	Sensitivity
IMSBTxL	Motion	No Motion	100%	N/A	On; Auto Calibration	20 minutes	High

Operation	Description
On Event	Trigger that activates lights to turn on; either automatic via motion detected or manually activated via push of button.
Off Event	Trigger that activates lights to turn off; either automatic via no motion detected or manually activated via push of button.
On Light Level	The light level that the fixtures will turn on to when ON EVENT occurs.
Dim Light Level	The light level that the fixtures will dim down to when no motion is detected.
Delay to Dim	The amount of time after which no motion is detected that the fixtures will be triggered to dim down. This sequence is optional, and sensor can be programmed to only trigger the fixture to turn off by entering 100% in this field.
Delay to Off	The amount of time after which no motion is detected that the fixtures will be triggered to turn off. If delay to dim is part of the programmed functionality, this is the amount of time after which no motion is detected after the fixture have already dimmed down.
Sensitivity	The sensitivity can be set to high, medium, low, or auto where applicable. High will detect smaller, simple motions. Low will only detect larger more complex motions. Auto temperature calibration adjusts the PIR sensitivity as ambient temperature rises to increase detection of heat movement through the field of view.