



Small Commercial Wall (SSW)

LED Wall Light



OVERVIEW

Lumen Package (lm)	3,000
Wattage Range (W)	23
Efficacy Range (LPW)	137
Color Temperature (K)	4,000, 5,000
Weight lbs (kg)	3.5 (1.6)

QUICK LINKS

FEATURES & SPECIFICATIONS

Construction

- Rugged die-cast aluminum housing for maximum durability and reliability.
- IP65 rated luminaire protects integral components from harsh environments.

Optical System

- Premium engineered IP65 rated polycarbonate optic assemblies deliver IES Type 3 or 4 (FT) distributions.
- Zero Uplight.
- Available in 5000K & 4000K color temperatures per ANSI C78.377.
- Minimum CRI of 70.

Electrical

- 0-10V dimming (10% - 100%) standard.
- Standard Universal Voltage (120-277 Vac) Input 50/60 Hz
- L70 Calculated Life: >50K Hours
- Total harmonic distortion (THD): <20%
- Operating temperature: -40°C to +40°C (-40°F to +104°F).
- Power factor (PF): >.90
- Input power stays constant over life.
- High-efficacy LED circuit board mounted to cast housing to maximize heat dissipation

Installation

- Universal wall mounting plate easily mounts directly to 4" octagonal or square junction box.
- 2 fasteners secure the hinged door underneath the housing and provide quick and easy access to the electrical compartment for installing/servicing.

Warranty

- LSI luminaires carry a 5-year limited warranty. Refer to <https://www.lsicorp.com/resources/terms-conditions-warranty/> for more information.

Listings

- Listed to UL 1598 and UL 8750.
- Suitable for wet Locations.
- IP65 rated Luminaire.
- DesignLights Consortium® (DLC) Premium qualified product. Not all versions of this product may be DLC Premium qualified. Please check the DLC Qualified Products List at www.designlights.org/QPL to confirm which versions are qualified.

Small Commercial Wall (SSW) LED Wall Light

Type: _____

 **Have questions?** Call us at (800) 436-7800

ORDERING GUIDE

TYPICAL ORDER EXAMPLE: SSW LED 3L FT UNV DIM 40 BRZ PC								
Prefix	Light Source	Lumen Package	Distribution	Voltage	Driver	Color Temperature / Rendering	Finish	Options
SSW - Small Commercial Wall	LED	3L - 3,000	3 - Type 3 FT - Forward Throw Type 4	UNV - Universal Voltage (120-277V)	DIM - 0-10V Dimming ²	40 - 4000K / 70 CRI 50 - 5000K / 70 CRI	BRZ - Bronze	Blank - None PCIUNV - Button Photocontrol (120-277V)



Need more information?
[Click here for our glossary.](#)

Have additional questions?
Call us at (800) 436-7800



ACCESSORY ORDERING INFORMATION

Part Number	Description
739106	Wet Location Surface Conduit/Wiring box (Bronze)

PERFORMANCE

Delivered Lumens ¹									
Lumen Package	Distribution	CRI	4000K			5000K			Wattage
			Delivered Lumens	Efficacy	BUG Rating	Delivered Lumens	Efficacy	BUG Rating	
3L	FT	70	3,143	137	B1-U0-G1	3,224	140	B1-U0-G1	23
	3	70	3,173	139	B1-U0-G1	3,255	142	B1-U0-G1	

Electrical Data - Current Draw AMPS ²						
Lumen Package	Wattage	208V	240V	277V	347V	480V
3L	23	0.1	0.08	0.07	0.05	0.12

¹ LEDs are frequently updated therefore values are nominal

² Electrical data at 25C (77F). Actual wattage may differ by +/-10%.

Small Commercial Wall (SSW) LED Wall Light

Type : _____

 Have questions? Call us at (800) 436-7800

PHOTOMETRICS

Luminaire photometry has been conducted by a NVLAP accredited testing laboratory in accordance with IESNA LM-79-08. As specified by IESNA LM-79-08 the entire luminaire is tested as the source resulting in a luminaire efficiency of 100%.

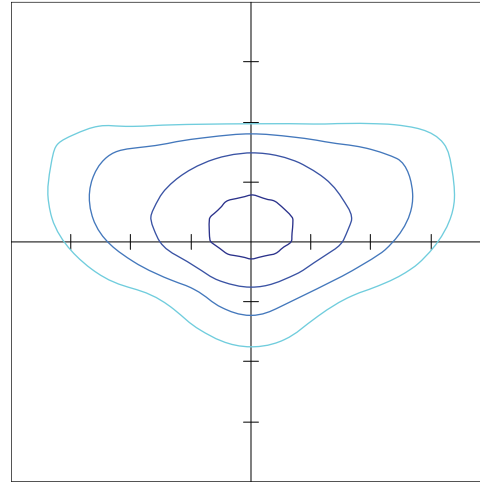
See the individual product page on <https://www.lsicorp.com/> for detailed photometric data.

SSW-3L-3-40

Luminaire Data	
Wide Distribution	
Description	4000 Kelvin, 70 CRI
Delivered Lumens	3,174
Watts	23
Efficacy	138
IES Type	Type III - Medium
BUG Rating	B1-U0-G1

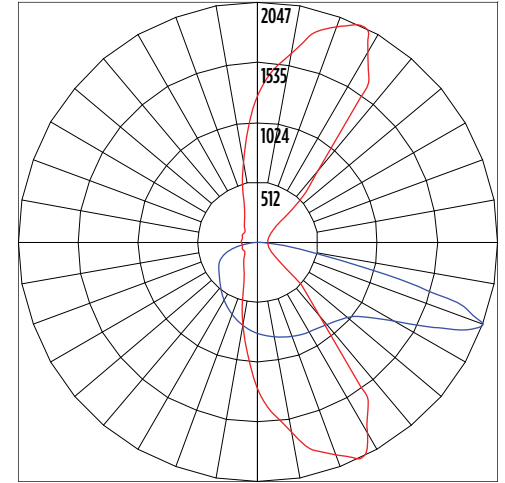
Zonal Lumen Summary		
Zone	Lumens	% Luminaire
Low (0-30°)	609	19%
Medium (30-60°)	1,548	49%
High (60-80°)	994	31%
Very High (80-90°)	22	1%
Uplight (90-180°)	0	0%
Total Flux	3,174	100%

ISO Footcandle



10' Mounting Height / 10' Grid Spacing
 5 FC 2 FC 1 FC 0.5 FC

Polar Curve



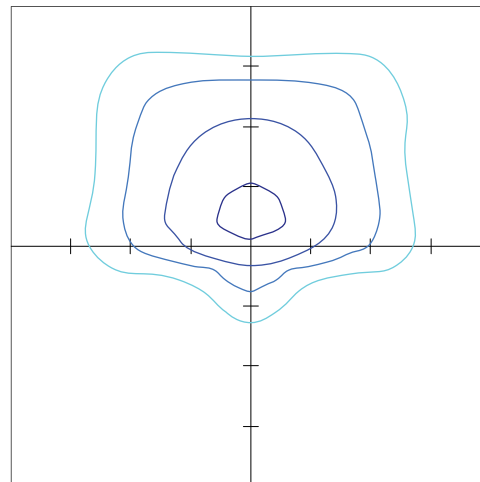
Vertical Plane Horizontal Cone

SSW-3L-FT-40

Luminaire Data	
Wide Distribution	
Description	4000 Kelvin, 70 CRI
Delivered Lumens	3,174
Watts	23
Efficacy	137
IES Type	Type IV - Short
BUG Rating	B1-U0-G1

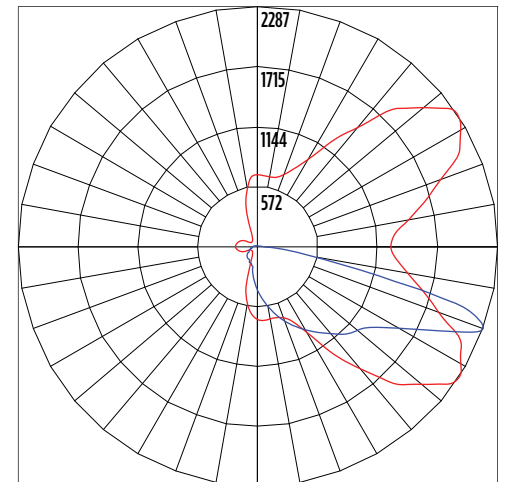
Zonal Lumen Summary		
Zone	Lumens	% Luminaire
Low (0-30°)	389	12%
Medium (30-60°)	1,431	46%
High (60-80°)	1,290	41%
Very High (80-90°)	33	1%
Uplight (90-180°)	0	0%
Total Flux	3,143	100%

ISO Footcandle



10' Mounting Height / 10' Grid Spacing
 5 FC 2 FC 1 FC 0.5 FC

Polar Curve



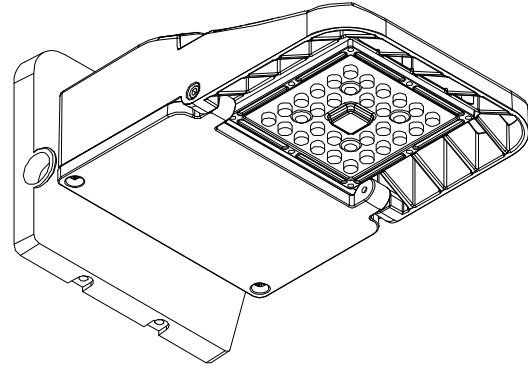
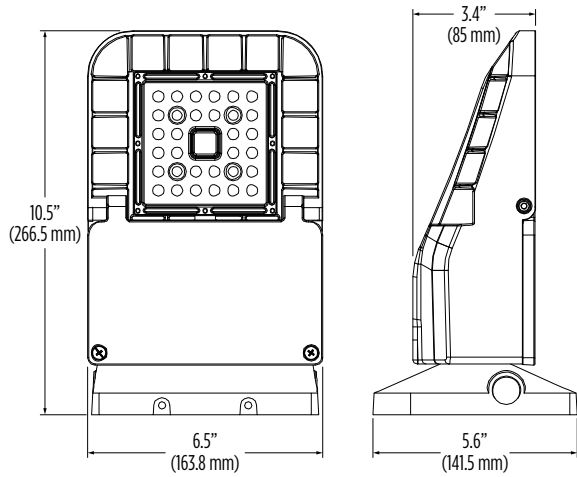
Vertical Plane Horizontal Cone

Small Commercial Wall (SSW) LED Wall Light

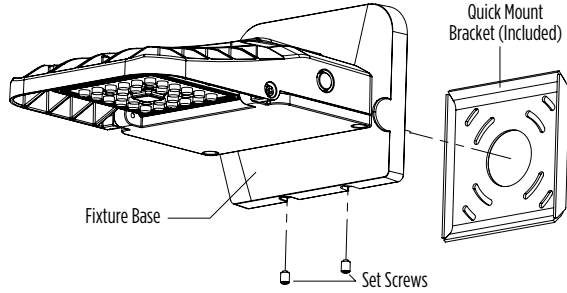
Type: _____

 Have questions? Call us at (800) 436-7800

PRODUCT DIMENSIONS



Mounting Over Junction Box



Surface Mounting Box

