



# Large Commercial Wall (SLW)

## LED Wall Light



### OVERVIEW

Lumen Package (lm)	14,000 - 20,000
Wattage Range (W)	104 - 156
Efficacy Range (LPW)	123 - 138
Color Temperature (K)	5,000
Weight lbs (kg)	10 (4.5)

### QUICK LINKS

## FEATURES & SPECIFICATIONS

### Construction

- Rugged die-cast aluminum housing for maximum durability and reliability.
- IP65 rated luminaire protects integral components from harsh environments.

### Optical System

- Premium engineered IP65 rated polycarbonate optic assemblies deliver IES Type 3 or 4 (FT) distributions.
- Zero Uplight.
- Available in 5000K color temperature per ANSI C78.377.
- Minimum CRI of 70.

### Electrical

- 0-10V dimming (10% - 100%) standard.
- Standard Universal Voltage (120-277 Vac) Input 50/60 Hz
- L70 Calculated Life: >50K Hours
- Total harmonic distortion (THD): <20%
- Operating temperature: -40°C to +40°C (-40°F to +104°F).
- Power factor (PF): >.90
- Input power stays constant over life.
- High-efficacy LED circuit board mounted to cast housing to maximize heat dissipation

### Installation

- Universal wall mounting plate easily mounts directly to 4" octagonal or square junction box.
- 2 fasteners secure the hinged door underneath the housing and provide quick and easy access to the electrical compartment for installing/servicing.

### Warranty

- LSI luminaires carry a 5-year limited warranty. Refer to <https://www.lsicorp.com/resources/terms-conditions-warranty/> for more information.

### Listings

- Listed to UL 1598 and UL 8750.
- Suitable for wet Locations.
- IP65 rated Luminaire.
- DesignLights Consortium® (DLC) Premium qualified product. Not all versions of this product may be DLC Premium qualified. Please check the DLC Qualified Products List at [www.designlights.org/QPL](http://www.designlights.org/QPL) to confirm which versions are qualified.

# Large Commercial Wall (SLW) LED Wall Light

Type: \_\_\_\_\_

 **Have questions?** Call us at (800) 436-7800

## ORDERING GUIDE

TYPICAL ORDER EXAMPLE: SLW LED 20L FT UNV DIM 50 BRZ PCIUNV								
Prefix	Light Source	Lumen Package	Distribution	Voltage	Driver	Color Temperature / Rendering	Finish	Options
SLW - Large Commercial Wall	LED	14L - 14,000 20L - 20,000	3 - Type 3 FT - Forward Throw Type 4	UNV - Universal Voltage (120-277V)	DIM - 0-10V Dimming <sup>2</sup>	50 - 5000K / 70 CRI	BRZ - Bronze	Blank - None PCIUNV - Button Photocontrol (120-277V)



**Need more information?**  
[Click here for our glossary.](#)

**Have additional questions?**  
Call us at (800) 436-7800



## ACCESSORY ORDERING INFORMATION

Part Number	Description
739106	Wet Location Surface Conduit/Wiring box (Bronze)

## PERFORMANCE

Delivered Lumens <sup>1</sup>						
Lumen Package	Distribution	CRI	5000K			Wattage
			Delivered Lumens	Efficacy	BUG Rating	
14L	FT	70	14,204	137	B3-U0-G2	104
	3	70	14,296	138	B3-U0-G3	
20L	FT	70	20,337	130	B3-U0-G3	156
	3	70	20,469	132	B3-U0-G3	

Electrical Data - Current Draw AMPS <sup>2</sup>					
Lumen Package	Wattage	240V	277V	347V	480V
14L	104	0.43	0.37	0.3	0.22
20L	156	0.65	0.56	0.45	0.33

<sup>1</sup> LEDs are frequently updated therefore values are nominal

<sup>2</sup> Electrical data at 25C (77F). Actual wattage may differ by +/-10%.

# Large Commercial Wall (SLW) LED Wall Light

Type : \_\_\_\_\_

 Have questions? Call us at (800) 436-7800

## PHOTOMETRICS

Luminaire photometry has been conducted by a NVLAP accredited testing laboratory in accordance with IESNA LM-79-08. As specified by IESNA LM-79-08 the entire luminaire is tested as the source resulting in a luminaire efficiency of 100%.

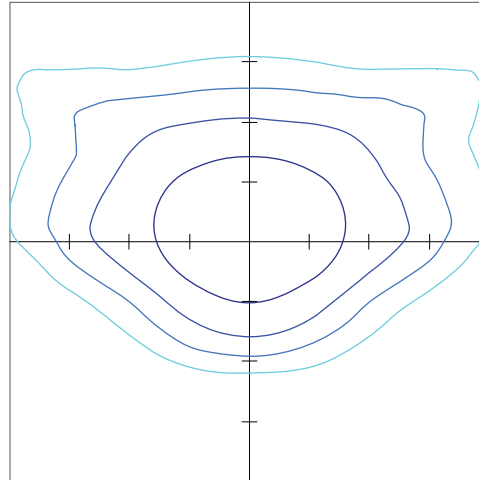
See the individual product page on <https://www.lsicorp.com/> for detailed photometric data.

### SLW-20L-3-40

Luminaire Data	
Wide Distribution	
Description	4000 Kelvin, 70 CRI
Delivered Lumens	19,955
Watts	155
Efficacy	129
IES Type	Type IV - Medium
BUG Rating	B3-U0-G3

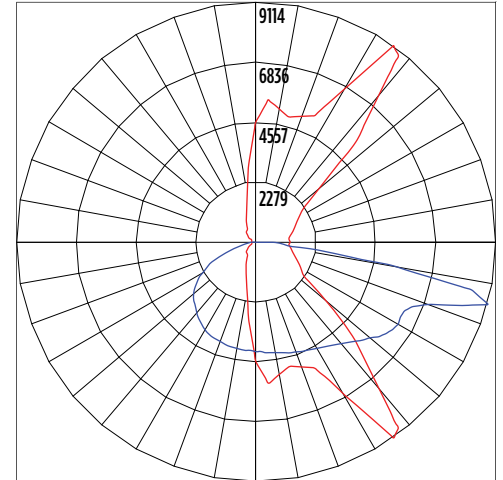
Zonal Lumen Summary		
Zone	Lumens	% Luminaire
Low (0-30°)	3,532	18%
Medium (30-60°)	9,621	48%
High (60-80°)	6,297	32%
Very High (80-90°)	505	3%
Uplight (90-180°)	0	0%
<b>Total Flux</b>	<b>19,955</b>	<b>100%</b>

#### ISO Footcandle



10' Mounting Height / 10' Grid Spacing  
 5 FC 2 FC 1 FC 0.5 FC

#### Polar Curve



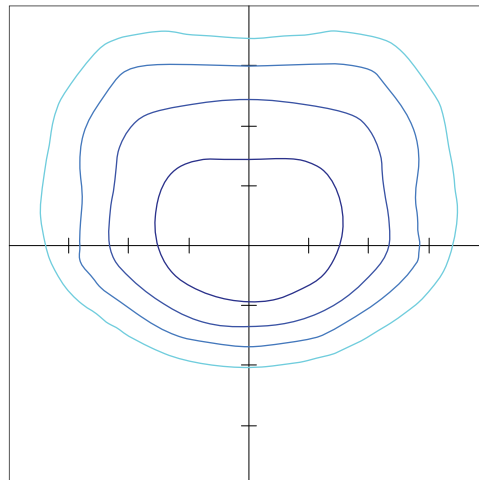
Vertical Plane Horizontal Cone

### SLW-20L-FT-40

Luminaire Data	
Wide Distribution	
Description	4000 Kelvin, 70 CRI
Delivered Lumens	19,827
Watts	155
Efficacy	128
IES Type	Type IV - Short
BUG Rating	B3-U0-G3

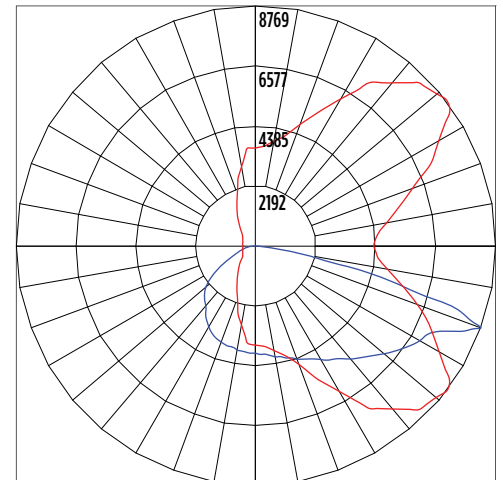
Zonal Lumen Summary		
Zone	Lumens	% Luminaire
Low (0-30°)	3,445	17%
Medium (30-60°)	9,803	49%
High (60-80°)	6,337	32%
Very High (80-90°)	243	1%
Uplight (90-180°)	0	0%
<b>Total Flux</b>	<b>19,827</b>	<b>100%</b>

#### ISO Footcandle



10' Mounting Height / 10' Grid Spacing  
 5 FC 2 FC 1 FC 0.5 FC

#### Polar Curve



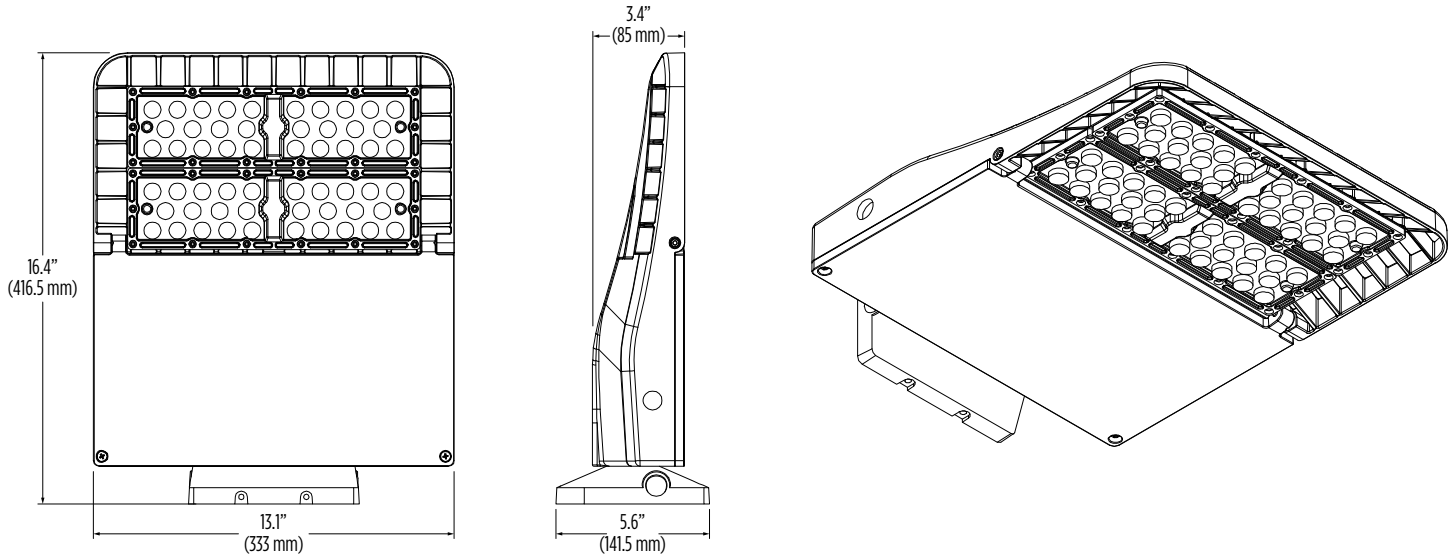
Vertical Plane Horizontal Cone

# Large Commercial Wall (SLW) LED Wall Light

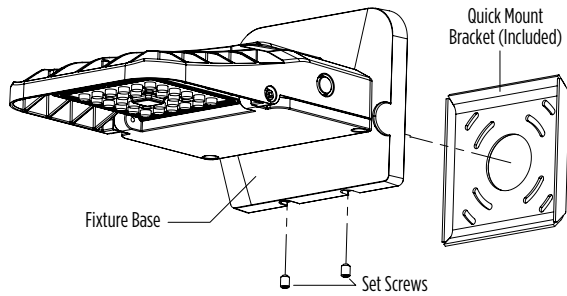
Type : \_\_\_\_\_

 **Have questions?** Call us at (800) 436-7800

## PRODUCT DIMENSIONS



### Mounting Over Junction Box



### Surface Mounting Box

